

Rackview - KVM Rack Drawer

ROSE.COM

INSTALLATION AND OPERATIONS MANUAL



**Standard 17" and 19" LCD
KVM Rack Drawer
1280 x 1024**

Rose Electronics 10707 Stancliff Road
Houston, Texas 77099
Phone (281) 9337673

 **ROSE**
ELECTRONICS
WWW.ROSE.COM

Rose Electronics 10707 Stancliff Road
Houston, Texas 77099
Phone (281) 9337673

WWW.ROSE.COM

LIMITED WARRANTY

Rose Electronics warrants the Rackview Product to be in good working order for one year from the date of purchase from Rose Electronics. Should this product fail to be in good working order at any time during this one-year warranty period, Rose Electronics will, at its option, repair or replace the Unit as set forth below. Repair parts and replacement units will be either reconditioned or new. All replaced parts become the property of Rose Electronics. This limited warranty does not include service to repair damage to the Unit resulting from accident, disaster, abuse, or unauthorized modification of the Unit, including static discharge and power surges.

Limited Warranty service may be obtained by delivering this unit during the one-year warranty period to Rose Electronics or an authorized repair center providing a proof of purchase date.

If this Unit is delivered by mail, you agree to insure the Unit or assume the risk of loss or damage in transit, to prepay shipping charges to the warranty service location, and to use the original shipping container or its equivalent. You must call for a return authorization number first. Under no circumstances will a unit be accepted without a return authorization number. Contact an authorized repair center or Rose Electronics for further information.

ALL EXPRESS AND IMPLIED WARRANTIES FOR THIS PRODUCT INCLUDING THE WARRANTIES OF MERCHANTABILITY AND FITNESS FOR A PARTICULAR PURPOSE, ARE LIMITED IN DURATION TO A PERIOD OF ONE YEAR FROM THE DATE OF PURCHASE, AND NO WARRANTIES, WHETHER EXPRESS OR IMPLIED, WILL APPLY AFTER THIS PERIOD. SOME STATES DO NOT ALLOW LIMITATIONS ON HOW LONG AN IMPLIED WARRANTY LASTS, SO THE ABOVE LIMITATION MAY NOT APPLY TO YOU.

IF THIS PRODUCT IS NOT IN GOOD WORKING ORDER AS WARRANTED ABOVE, YOUR SOLE REMEDY SHALL BE REPLACEMENT OR REPAIR AS PROVIDED ABOVE. IN NO EVENT WILL ROSE ELECTRONICS BE LIABLE TO YOU FOR ANY DAMAGES INCLUDING ANY LOST PROFITS, LOST SAVINGS OR OTHER INCIDENTAL OR CONSEQUENTIAL DAMAGES ARISING OUT OF THE USE OF OR THE INABILITY TO USE SUCH PRODUCT, EVEN IF ROSE ELECTRONICS OR AN AUTHORIZED DEALER HAS BEEN ADVISED OF THE POSSIBILITY OF SUCH DAMAGES, OR FOR ANY CLAIM BY ANY OTHER PARTY.

SOME STATES DO NOT ALLOW THE EXCLUSION OR LIMITATION OF INCIDENTAL OR CONSEQUENTIAL DAMAGES FOR CONSUMER PRODUCTS, SO THE ABOVE MAY NOT APPLY TO YOU. THIS WARRANTY GIVES YOU SPECIFIC LEGAL RIGHTS AND YOU MAY ALSO HAVE OTHER RIGHTS WHICH MAY VARY FROM STATE TO STATE.

IBM, AT, and PS/2 are trademarks of International Business Machines Corp. Microsoft and Microsoft Windows are registered trademarks of Microsoft Corp. Any other trademarks mentioned in this manual are acknowledged to be the property of the trademark owner.

Copyright © Rose Electronics 2013. All rights reserved.

No part of this manual may be reproduced, stored in a retrieval system, or transcribed in any form or any means, electronic or mechanical, including photocopying and recording, without the prior written permission of Rose Electronics.

Rose Electronics Part # MAN-RV1-CAKVT-17/19
Printed In the United States of America – Revision 1.0

Table of Contents

Safety Instructions	Page 3
Pre-Installation and Package Contents	Page 4
Rackview Layout Diagram and Dimensions	Page 5-6
Installation	Page 7-8
Connection to a Server/KVM Switch	Page 9
OSD (On-Screen Display Control Panel) Operation	Page 10
Specifications	Page 11
Technical Support	Page 12

Safety Instructions

Please read all of these instructions carefully before you use the device. Save this manual for future reference.

- Unplug equipment before cleaning. Don't use liquid or spray detergent; use a moist cloth.
- Keep equipment away from excessive humidity and heat. Preferably, keep it in an air-conditioned environment with temperatures not exceeding 40° Celsius (104° Fahrenheit).
- When installing, place the equipment on a sturdy, level surface to prevent it from accidentally falling and causing damage to other equipment or injury to persons nearby.
- When the equipment is in an open position, do not cover, block or in any way obstruct the gap between it and the power supply. Proper air convection is necessary to keep it from overheating.
- Arrange the equipment's power cord in such a way that others won't trip or fall over it.
- If you are using a power cord that didn't ship with the equipment, ensure that it is rated for the voltage and current labeled on the equipment's electrical ratings label. The voltage rating on the cord should be higher than the one listed on the equipment's ratings label.
- Observe all precautions and warnings attached to the equipment.
- If you don't intend on using the equipment for a long time, disconnect it from the power outlet to prevent it being damaged by transient overvoltage.
- Keep all liquids away from the equipment to minimize the risk of accidental spillage. Liquid spilled on to the power supply or on other hardware may cause damage, fire or electrical shock.
- Only qualified service personnel should open the chassis. Opening it yourself could damage the equipment and invalidate its warranty.
- If any part of the equipment becomes damaged or stops functioning, have it checked by qualified service personnel.

Regulatory Notices Federal Communications Commission (FCC)

This equipment has been tested and found to comply with the limits for a Class B digital device, pursuant to Part 15 of the FCC rules. These limits are designed to provide reasonable protection against harmful interference in a residential installation.

Any changes or modifications made to this equipment may void the user's authority to operate this equipment. This equipment generates, uses, and can radiate radio frequency energy and, if not installed and used in accordance with the instructions, may cause harmful interference to radio communications.

However, there is no guarantee that interference will not occur in a particular installation. If this equipment does cause harmful interference to radio or television reception, which can be determined by turning the equipment off and on, the user is encouraged to try to correct the interference by one or more of the following measures:

- Re-position or relocate the receiving antenna.
- Increase the separation between the equipment and receiver.
- Connect the equipment into an outlet on a circuit different from that to which the receiver is connected.

Pre-Installation and Package Contents

Before Installation:

It is very important to mount the equipment in a suitable cabinet or on a stable surface. Make sure the mounting location has good ventilation, is out of direct sunlight, and away from sources of excessive dust, dirt, heat, water, moisture and vibration.

Unpacking:

The equipment comes with the standard parts shown in package content. Check and make sure they are included and in good condition. If anything is missing, or damaged, contact your supplier immediately.

Package Contents:

1x Rackview Unit
1x Mounting Bracket set
1x Combo Cable for Video/Keyboard/Mouse (VGA/USB)
1x Power Cord
1x User Manual
1x set of screws and washers for assembly

Product Operation:

a) Power On Procedure

- Power on the Rackview (see power switch on back panel)
- Power on the KVM Switch or other connected product
- Power on the CPU

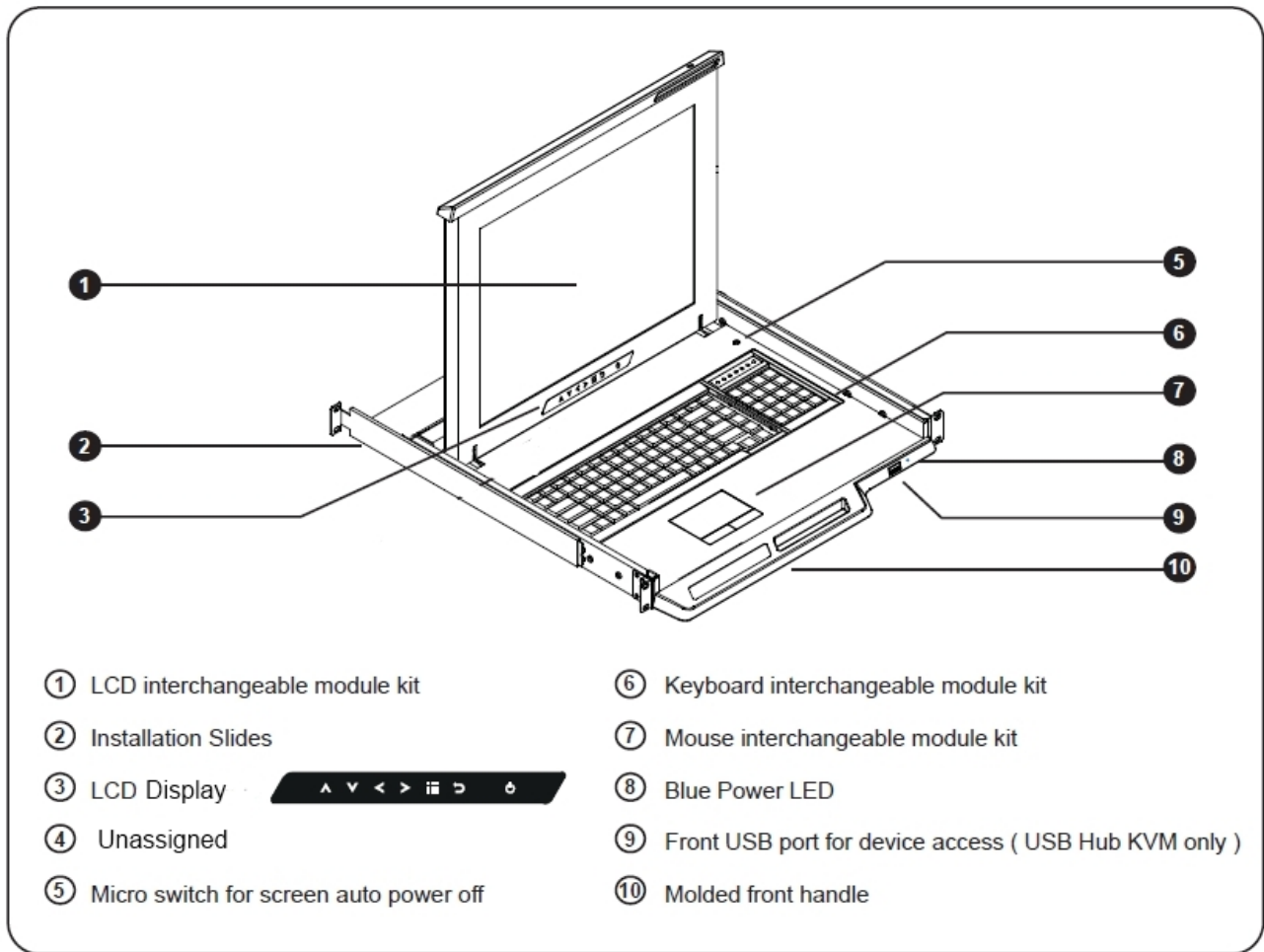
b) Video Input Select Button (see OSD Section, Page 10)

The Rackview remembers the last valid video input selection, so if the CPU input has changed, the user needs to re-select the video input.

- Locate the "Video Input Select" button on the OSD display control panel
- Push the Video Input Select button to toggle between VGA and DVI Input
- Select the appropriate Video Input format (VGA or DVI)



Rackview Layout Diagram and Dimensions



Model	Product Dimension (W x D x H) approx	Packing Dimension (W x D x H) approx	Net Weight	Gross Weight
RV1-CAKVT17/DVI	441.6 x 530 x 44 mm 17.4 x 20.9 x 1.73 inch	590 x 823 x 140 mm 23.2 x 32.4 x 5.5 inch	12 kg 26 lb	16.5 kg 36 lb
RV1-CAKVT19/DVI	441.6 x 570 x 44 mm 17.4 x 22.4 x 1.73 inch	590 x 823 x 140 mm 23.2 x 32.4 x 5.5 inch	13 kg 29 lb	17.5 kg 39 lb

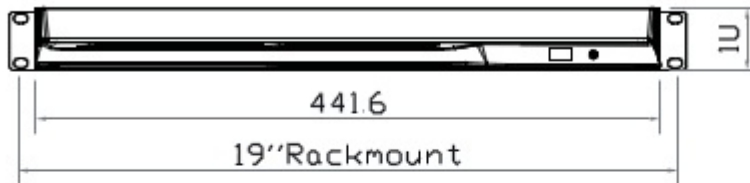
The package weight can vary with accessories included

Rackview Dimensions

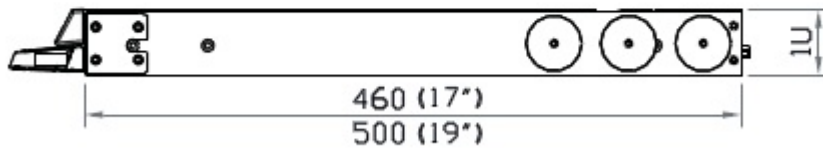
Unit: mm

1mm = 0.03937 inch

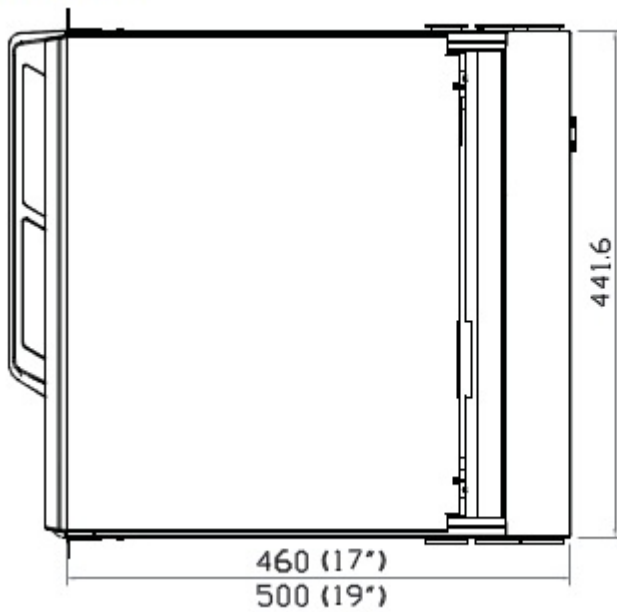
Front View



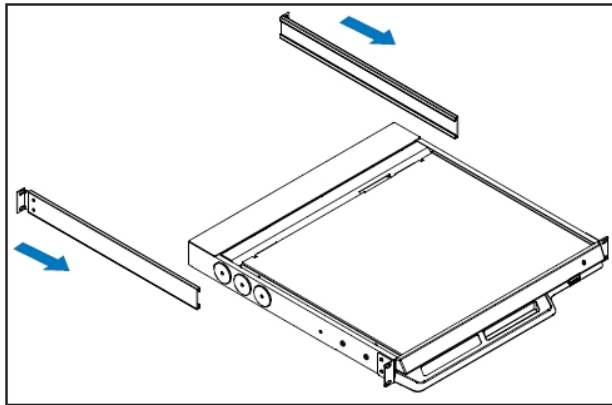
Side View



Top View

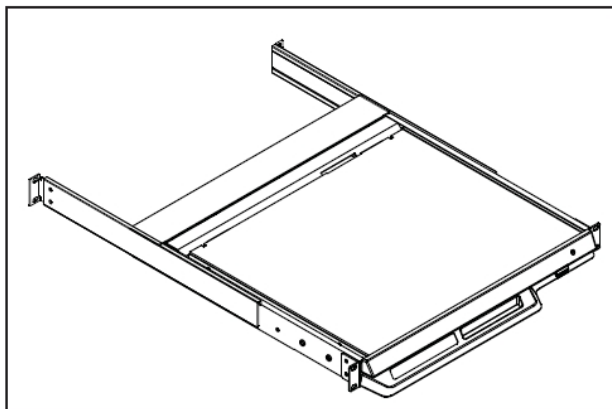


Installation of Rackview 17" and 19"



STEP 1

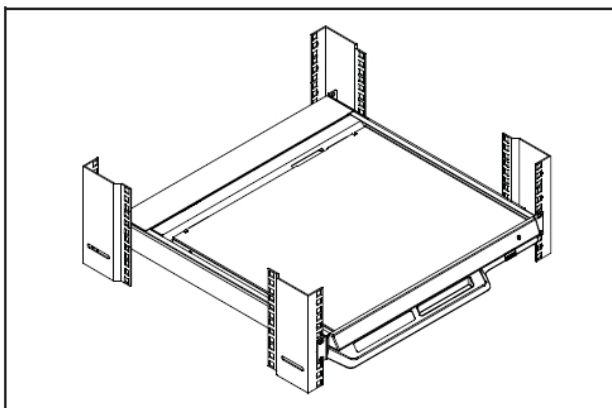
Insert the Left and Right rear-mounting slides into the Rackview Console Drawer



STEP 2

Measure the depth of the front and rear rack rails

Align each rear-mounting slide to a suitable length (depth)



STEP 3

Complete the Installation

Fix the Rackview Console Drawer into the Rack

Screws, cage nuts and cup washers are provided

Installation – How to Unlock and Operate the Rackview 17” and 19”



STEP 1

Hold the handle and slide out the Rackview drawer



STEP 2

Flip up the LCD to a suitable viewing angle

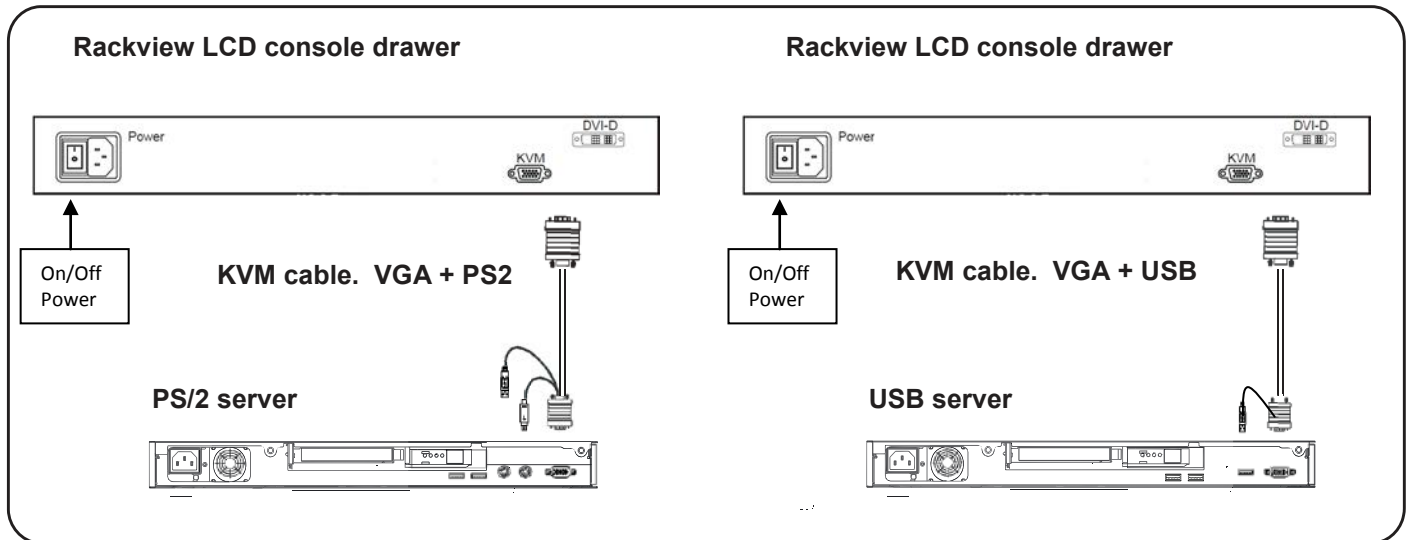


STEP 3

Operate the Rackview Console Drawer

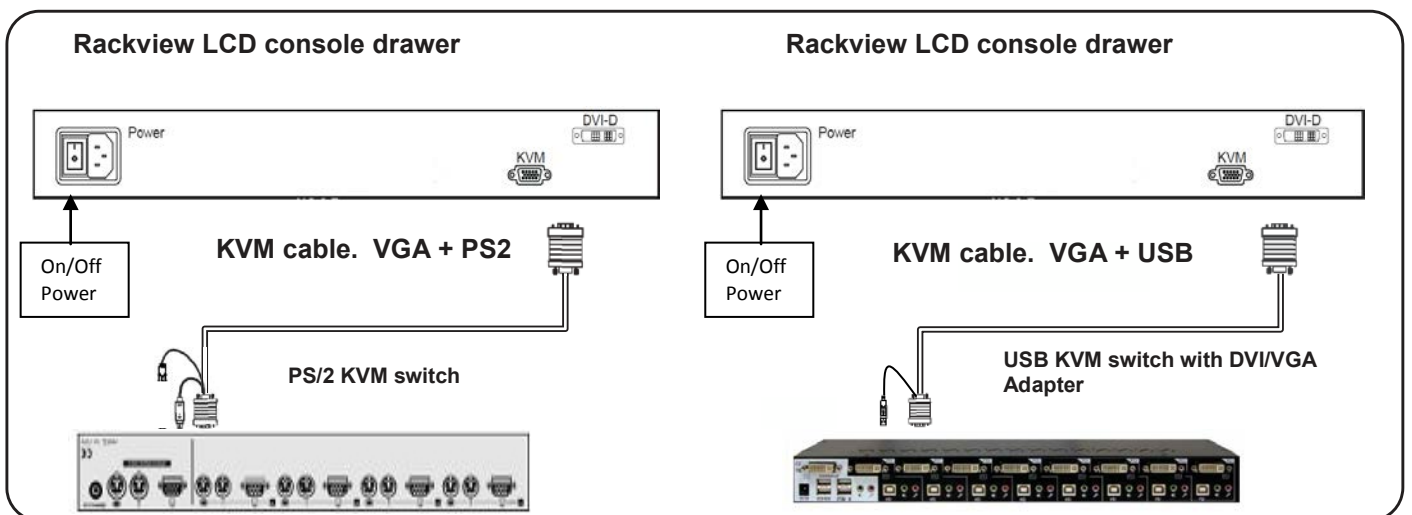
Connection to PS/2 or USB Server

(sample connections)



Connection to an external KVM switch

(sample connections)



Note: Cabling options include either a VGA/USB, a VGA/PS2, or a DVI USB cable.

Note: Please check cable details with your dealer.

Caution : The Rackview LCD console drawer is hot-pluggable, but components of connected devices, such as the servers and KVM switch, may not be hot-pluggable. Plugging and unplugging cables while servers and KVM switch are powered-on may cause irreversible damage to the servers, KVM and LCD console drawer. Before attempting to connect anything to the Rackview LCD console drawer, we suggest turning off the power to all devices. Apply power to connected devices only after the Rackview LCD console drawer has been powered-on. Rose Electronics is not responsible for any product damage or warranty claims caused in this way.

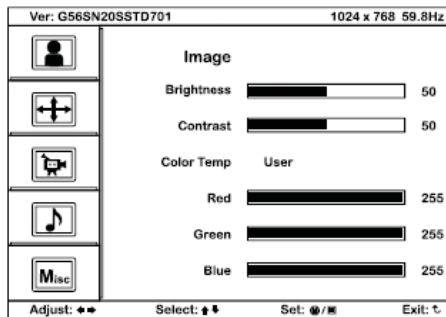
On-Screen Display Operation (OSD)



Membrane Switch	Function
	Turn the monitor on or off
	Display the OSD menu Act as an Enter key to select screen setting options
	Scroll through menu options and adjust the displayed control
	Exit the OSD screen and Input Select Button Go back to the previous on-screen sub-menu or main menu

Remark : All LED touch buttons in **WHITE** light.
The LED of Power touch button will flash continuously when there is no signal input.

- ① All the LED touch buttons will automatically turn off after 10 minutes of idle status (except the Power).
- ② Light up all membrane buttons, please press any button for 1 - 2 seconds (except the Power).



OSD Configuration Page



Image:
for the brightness, contrast, color temp, red, green, and blue



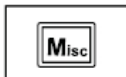
Geometry:
for the auto adjust, H position, V position, phase and clock



Video:
for the colour, tint, sharpness, noise reduction, DCDi and TV Setup





Audio:
for volume, bass, treble, balance, AVL and mute



Misc:
for the language, OSD position, graphic mode, ratio, reset and timer

Rackview - LCD / Keyboard / Mouse Specification

Item	Description	
LCD Manufacturer		
Display Size	17" TFT color LCD	19" TFT color LCD
Max. Resolution	1280 x 1024	1280 x 1024
Brightness (cd/m ²)	250	250
Color Support	16.7 M	16.7M
Contrast Ratio (typ.)	1000:1	1000:1
Viewing Angle (H/V)	160° x 160°	160° x 160° (80/80/80/80)
Dot Pitch (mm)	0.264	0.294
Display Area (mm)	337.92 (H) x 270*33 V	376.32 (H) x 301.05 (V)
Response Time (ms)	5	5
LCD Panel MTBF (hrs)	50,000	50,000
VGA Signal Input	Analog,	
DVI Signal	DVI-D, TMDS Single-Link	
Sync. Type (VGA)	Separate H/V, Composite, SOG	
Resolution	Up to 1280*1024, 60/75Hz	
Plug and Play DDC (DVI and VGA)	VESA EDID 1.3	
Console Port	DB-15 connector for VGA / keyboard / mouse (Combo interface) PS2 5ft Cable: (1*HD15M to HD15M + 2*PS2) USB 5ft Cable: (1*HD15M to HD15M + USB) DVI: (DVI-D)	
Audio Option	3.5mm with L/R Speakers. Impedance 30KΩ / 750mV. Speaker Power – 2*2W	
Power Input	Auto-sensing 100 to 240VAC, 50 / 60Hz	
Power Consumption	Screen ON = 25W or less, Power Saving Mode = 4W or less	
Compatibility	Multi-platform - Mix PCs, SUNs, IBMs, HPs and DELLs.	
Regulation Approval	cUL, FCC, CE	

Environmental

Operation	0° to
Storage	-5° to 60
Relative Humidity	Operating: 20~90%, non-condensing
Shock	10G acceleration (11ms duration)
Vibration	5~500Hz 1G RMS random vibration

Product Codes

RV1-CAKVT17/DVI

Rackview 17" KVM Rack Drawer

RV1-CAKVT19/DVI

Rackview 19" KVM Rack Drawer

Interface Cables: (only 1 cable is included – select with order)

/K1: CAB-CMBVMUAC005

HD15 to HD15 + (1)USB-A. (VGA +USB)

/K2: CAB-CMBVM66C005

HD15 to HD15 + (2)PS2. (VGA +PS2)

/K3: CAB-CMBDVUAC005

DVI-D + HD15(M) to DVI-I + (1)USB-A (DVI + USB)

Technical Support

If you are experiencing problems, or need assistance in setting up, configuring or operating your product, consult the appropriate sections of this manual. If, however, you require additional information or assistance, please contact the Rose Electronics Technical Support Department at:

Phone: (281) 933-7673
E-Mail: techsupport@rose.com
Web: www.rose.com

Technical Support hours are from: 8:00 am to 6:00 pm CST (USA), Monday through Friday.

Please report any malfunctions in the operation of this Unit or any discrepancies in this manual to the Rose Electronics Technical Support Department.



WWW.ROSE.COM **sales@rose.com** **(800) 333 9343**

Rose USA (281) 933 7673 Rose Europe +49 (0) 2454 969442 Rose Asia +65 6324 2322 Rose Australia +61 (0) 421 247083
Rose Electronics 10707 Stancliff Road Houston, Texas 77099



© Copyright 2013 Rose Electronics. All rights reserved. Specifications subject to change without notice