

S-800 Standalone Rack SmartCard Handle



Patented & Worldwide Patents



Rack level access security has become critically important for all data centers and server rooms. More and more IT managers have recognized this need and upgraded their racks with smartcard access control. To meet the increasing needs, Austin Hughes offers the **InfraSolution® S Standalone SmartCard Handle** at affordable prices.



Key Benefits

>>> Designed for IT Branded Racks

InfraSolution S is designed for the global IT branded racks. Its Universal Mounting Cut-out generally allows easy integration with most third party racks so costly & complicated door customization is not required.

>>> Affordable Price

A basic rack can be upgraded with smartcard access control at an affordable price.

>>> Quality Products & Service Commitment

We are committed to providing high quality products and services. All purchases of our long life products with 2 years warranty standard can be upgraded to 5 years.

>>> Simple Components & D I Y Installation

The key hardware components for each rack just consists of a pair of smartcard handles, two door sensors and cable accessories. The hardware installation is so easy that even the end-users can do it. Both Left and Right opening handle models are available.

>>> LED for Clear Lock Status Indication

Three LED color modes on the smartcard handle indicate the lock status clearly. An authorized unlock is signaled by a silver white flashing LED. Unauthorized rack access will result in a red flashing LED following with an audible alarm while the handles are equipped with door sensors.

>>> Proximity & MiFARE Compatible

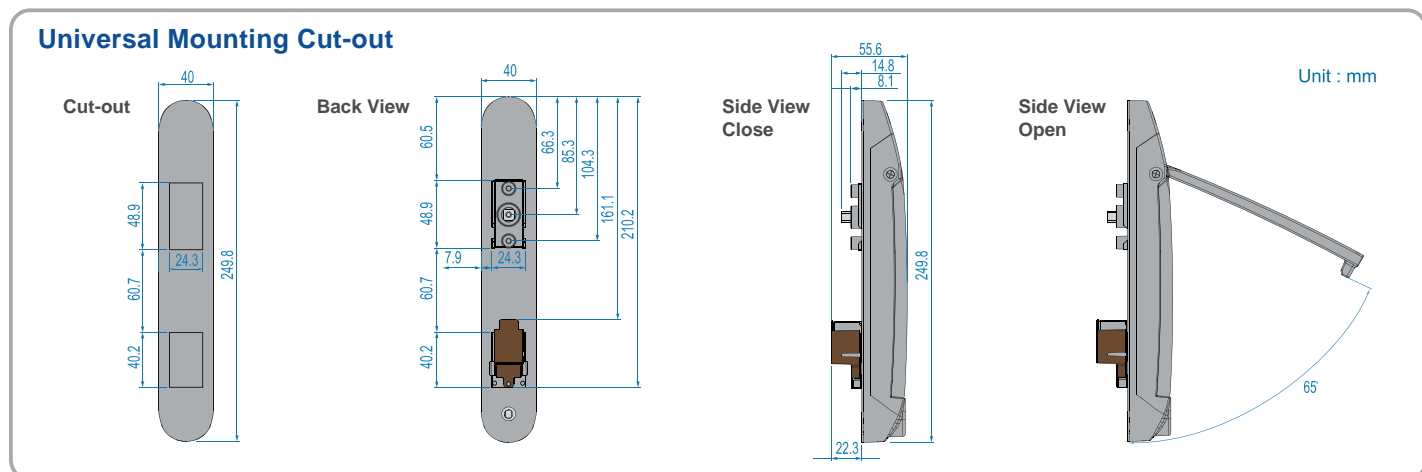
Compatibility issues between different access card standards are a major consideration when deploying a smartcard system. The InfraSolution standalone series caters for the two most common smartcard alternatives – the Proximity & MiFARE. User's existing smartcard can be used on S-800 if it is in either of the above.

>>> Dual Card Authentication by Administrator and User Cards

InfraSolution S offers an administrator card option to provide dual card authentication rack access. Unless the administrator card detects in advance, the smartcard handle cannot be unlocked by the user smartcard. The dual card authentication access makes sure that any authorized door opening is fully under the data center's monitoring.

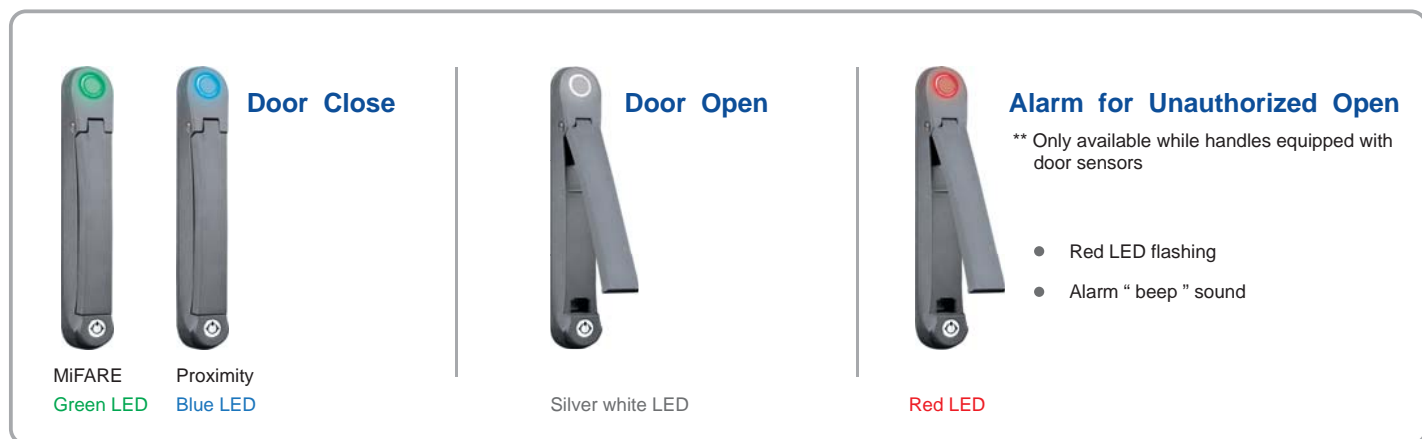
Smartcard Handle

The patented smartcard handle is an intelligent design with universal mounting cut-out. Recently, most global branded racks have applied a standard handle cut out dimension on the door. To achieve the highest level of interoperability offered in the rack industry, the S-800 handle also applies the same mounting dimension. It avoids costly and complicated door customization for the smartcard handle integration.



Handle LED for Lock Status Indication

The LED color on InfraSolution S standalone smartcard handle provides the clear indication on the lock status. User can view the handle lock status just by LED handle colors.



Door Sensor

Optional door sensor is an essential item for alarm functions. User can be alerted by visual and audio alarm for unauthorized door opening.

Two door sensors are offered in order to suit different sensor integration scenarios.

(I) Inductive Door Sensor



- light weight / adhesive
- mini size (32.5 x 12.2 x 9.2 mm)
- no custom cutting required on doors
- easy for existing rack retrofit
- mounting bracket bundled
- with 2m cord

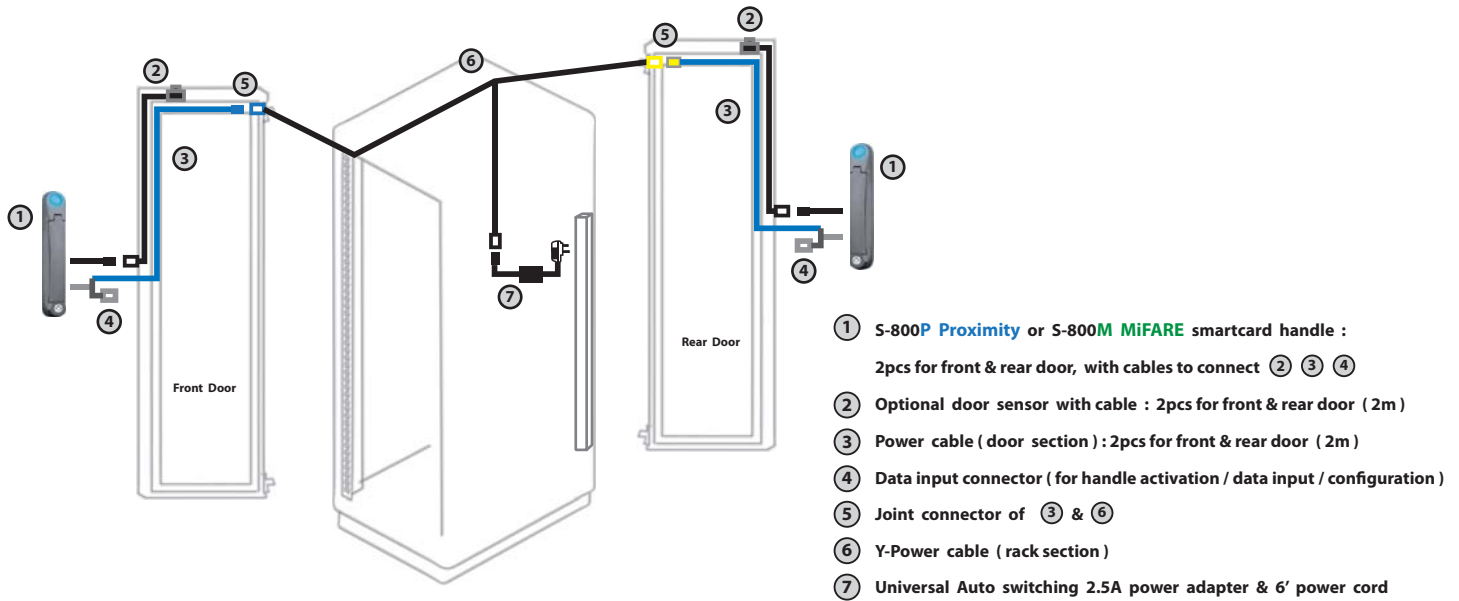
(II) Mechanical Door Sensor



- low cost / precise
- size (52 x 22.5 x 30.75 mm)
- cost efficient integration to new rack
- custom cutting required on doors
- with 2m cord

Quick Installation

InfraSolution S installation is simple and quick - it just involves the smartcard handles, door sensors and easy cabling.



Free & User friendly Software

InfraSolution S provides two user-friendly software free. **UTILITIES ISU-01** is ideal for the initial setup and simple operation. To look for relatively high requirements like the reporting feature and password security, **MANAGER ISM-01** will be the one you should apply for.

Software Features	Utilities ISU-01	Manager ISM-01
Max. 500 pairs of handle		✓
Max. 50 user card authorization per handle	✓	✓
Dual or single card mode authentication **	✓	✓
Enable or disable door sensor detection **	✓	✓
Detailed user card information		✓
Reporting on configuration details		✓
Log in password		✓

** Optional feature

Utilities (ISU-01)

Handle Information

Handle ID: SHID-01FD701BE8A
 Model no.: S-800P
 Type: Proximity
 Last updated: 2013 / 04 / 16 17:09

Handle Location

Zone: Demo_Zone_A
 Rack: Demo_Rack_A
 Handle position: Front Rear

Door Sensor

Disable Enable
Ensure you have ordered door sensors and finished the installation and connection. Otherwise, DO NOT enable door sensor as it will cause malfunction.

Card Access Mode

Normal (User card only)
 Dual card authentication (Administrator card + User card)

Buttons: Apply, Cancel, Export, Import

Status: Synchronizing data with handle [SHD-01FD701BE8A]100%

Card Assignment (Max. 50)

Card nr#	Delete
00104531	26
00026156	27
10800074	28
00105208	29
10803508	30
10803513	31
10803512	32
00104532	33
10800077	34
00105308	35
00105209	36
00104534	37
10803353	38
10803325	39
00026155	40
00026158	41
10800088	42
10800079	43
00104452	44
00104623	45
00104618	46
00105311	47
00105671	48
00105669	49
00105666	50

Manager (ISM-01)

SmartCard Handle

View
Setting
Event
Report
Backup
Restore

Help

User Manual
FAQ
Trouble shooting
Support

Event

First / Previous 1 2 3 4 5 6 7 8 9 10 Next / Last Last 2000 Events.

Date	Time	Event	Description
2013/04/12	18:19:23	Handle	Enable SHID-01FD162C77E Door Sensor
2013/04/12	18:19:22	Handle	Change SHID-01FD162C77E Position - rear
2013/04/12	18:19:21	Handle	Change SHID-01FD162C77E Rack - 59889
2013/04/12	18:19:20	Handle	Change SHID-01FD162C77E Zone - 5989898
2013/04/12	18:19:19	Handle	Delete SHID-01FD162C77E Card Holder - 1231
2013/04/12	17:59:43	Administrator Card Holder	Add Administrator Card Holder - 265 156156(161)
2013/04/12	17:46:33	Handle	Disable SHID-01FD162C77E Door Sensor
2013/04/12	17:46:32	Handle	Change SHID-01FD162C77E Position - front

Order Tips

>> Smartcard handle model - Proximity OR MiFARE

Model	Proximity	MiFARE
S-800P	✓	
S-800M		✓

>> Smartcard handle open direction - Left OR Right

S-800P / S-800M support left side open only. If user requires right side open, change the order part no. to S-800P-R / S-800M-R

>> Order the handle data input cable (ISW-USB-1.8)

At least one data input cable for each installation site.

>> Optional door sensor - Inductive (S-DSI) OR Mechanical (S-DSW)

Door sensor is essential for visual & audio alarm and able to achieve a more user-friendly operation.

Skip the option If audio & visual alarm is not required.

>> Select the free software - Utilities (ISU-01) OR Manager (ISM-01)

InfraSolution S provides two user-friendly software free. ISU-01 is ideal for the initial setup and simple operation. To look for relatively high requirements like the reporting feature, ISM-01 will be the one you should apply for.

>> Pick the right power plug

Different power cords for selection :



NEMA



UK



Schuko



AU



India



IEC C14

Value-Add Options

>> Enjoy the warranty upgrade from 2 years to 5 years



>> Upgrade key lock

- Individual key lock (ISK-C051) - Up to 500 individual key-locks available
- Unique key lock (ISK-UKL) - Unique key dedicated to single project / customer regionally
- For project size over 500 racks

>> Order smartcard & card reader

- Proximity 26-bit Smartcard (ISC-P10) - Proximity Smartcard Reader (ISC-PCR)
- MiFARE 26-bit Smartcard (ISC-M10) - MiFARE Smartcard Reader (ISC-MCR)

>> Consider dual card authentication for additional security



(DCS-01)

Optional Accessories

Inductive door sensor, pair (S-DSI)

- Light weight, mini size & adhesive
- No custom cutting required on doors
- Easy for existing rack retrofit or integration to new rack

Mechanical door sensor, pair (S-DSW)

- Low cost
- Precise
- Cost efficient integration to new rack
- Custom cutting required on doors

Handle data input cable, pc (ISW-USB-1.8)

- Connect the smartcard handle to the laptop for handle activation, data input & configuration

Individual key lock, set of 2 for front & rear door (ISK-C051)

- Up to 500 individual key-locks available

Unique key lock (ISK-UKL)

- Unique key dedicated to single project / customer regionally
- For project size over 500 racks

Dual card authentication (DCS-01)

- Software upgrade for additional security
- Rack access by administrator card + user card

** Order this option before the delivery

Proximity smartcard, pack of 10 (ISC-P10)

- Proximity 26-bit format
- Single card for multiple application
- Custom card layout available

MiFARE smartcard, pack of 10 (ISC-M10)

- MiFARE 26-bit format
- Single card for multiple application
- Custom card layout available

Proximity card reader (ISC-PCR)

- Proximity 26-bit smartcard compatible
- Convenient way for smartcard ID reading
- Driverless for easy installation

MiFARE card reader (ISC-MCR)

- MiFARE 26-bit smartcard compatible
- Convenient way for smartcard ID reading
- Driverless for easy installation

Austin Hughes has an extensive distribution network, including EMEA, the Americas & APAC. Contact your nearest sales office for details of local representation.

Sales Inquiry
inquiry@austin-hughes.com

Technical Support
support@austin-hughes.com

Distributed by:

Distributor by country on application