

Welcome

This quick start guide covers some of the key points of the ALIF101T unit. Full user details and setup instructions can be found at www.adder.com/en/kvm-solutions/adderlink-infinity-101t

Initial configuration

Please see the next page for **Connection** details.

ALIF units can be linked in two main ways: Direct or Networked.

Direct linking

Where ALIF transmitters and receivers are directly linked to each other, very little configuration action is required, provided that they both have their factory default settings in place - just link them together. If the standard settings have been changed in a previous installation, you merely need to perform a **manual factory reset** on each unit. Please see the next page for further details.

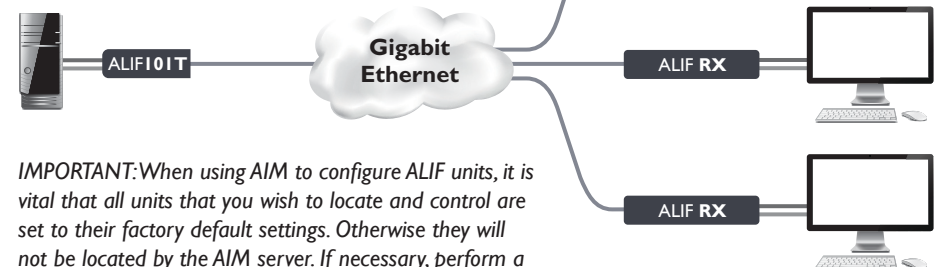


Networked linking

Where ALIF units are connected via networked links, you can either configure them individually, or configure them collectively using an AIM server:

- **Configuring networked ALIF units individually** - You need to specify the network addresses of the ALIF units so that they can locate each other. This is done by running the ADDERLink INFINITY browser-based configuration utility on a computer system linked to the same network as the ALIF units. Please see the next page for further details.
- **Configuring networked ALIF units collectively** - The ADDERLink INFINITY Management (AIM) server allows you to configure, control and coordinate any number of ALIF transmitters and receivers from a single application. See adder.com for details.

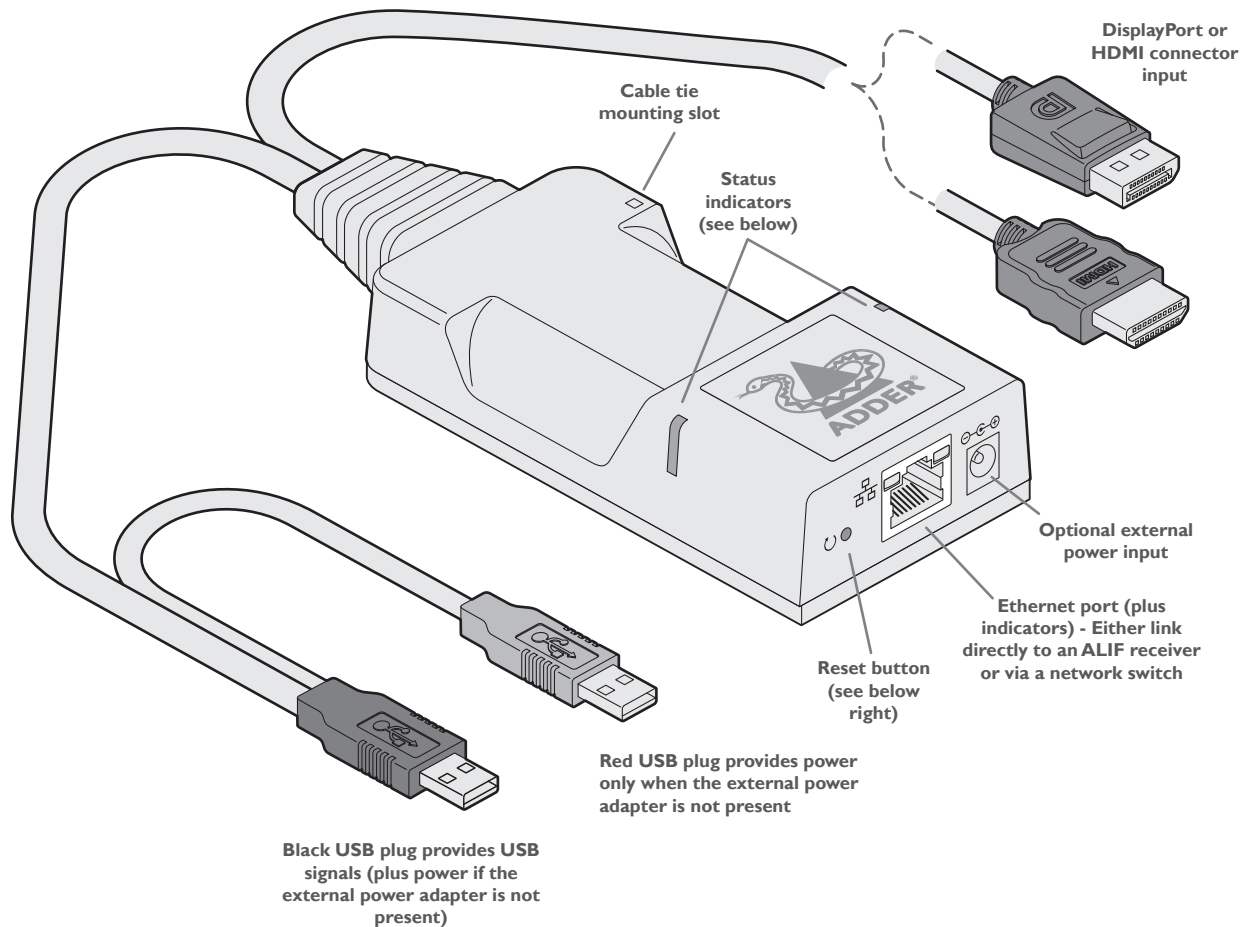
Note: If you are using one or more ALIF101T transmitters within an installation managed by an AIM server, the AIM server must be running firmware version 4.12 or above.



IMPORTANT: When using AIM to configure ALIF units, it is vital that all units that you wish to locate and control are set to their factory default settings. Otherwise they will not be located by the AIM server. If necessary, perform a manual factory reset on each ALIF unit. See next page.

continued overleaf

Connections



Power sourcing summary

Power adapter	Black USB	Red USB	Power sourced...
✗	✓	✓	...from both USB plugs.
✓	✓	✗	...from power adapter only.
✓	✓	✓	...from power adapter only, unless it becomes unavailable, in which case power will be taken from both USB plugs after a short interruption.

Main status indicators

- Off No power
- Green Operating - Video, USB and network link all present
- Orange link Operating - But video, USB and/or network link missing.
- Red (momentarily) Unit is booting up, or (consistently) Unit has failed, try rebooting.
- Red/green flashing Unit is in backup mode.
- Blue Factory reset has been activated.
- Red/blue flashing Unit is in upgrade mode.
- Fast green flash Unit is in identify mode.

ALIF browser-based configuration utility

Use this utility when configuring the ALIF101T to work with ALIF receivers which are linked via a network. You will need to use a computer connected to the same network as the ALIF101T unit (you can also connect them directly).

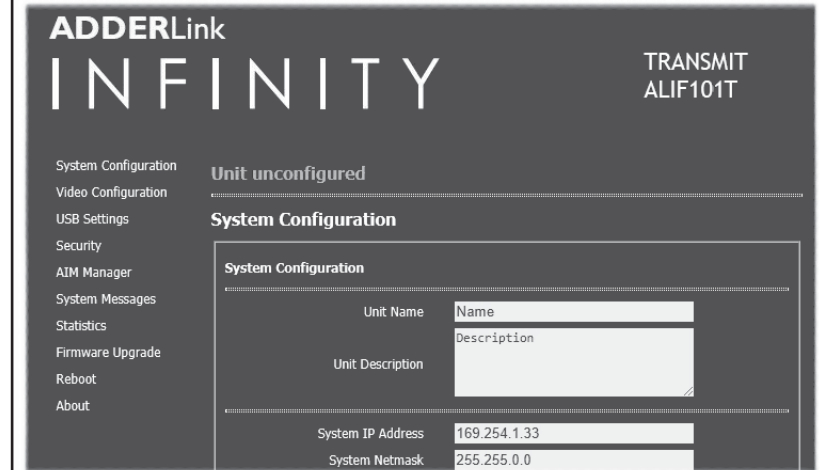
To access the browser-based configuration utility

Run a web browser on your computer and enter the standard IP address of the ALIF101T unit:

169.254.1.33

Note: If the IP address of ALIF101T unit has been changed and is not known, providing it is appropriate to do so, perform a **manual factory reset** (see below) to restore the default address.

The opening page of the ALIF configuration utility should be displayed:



Full user details and setup instructions can be found at:

www.adder.com/en/kvm-solutions/adderlink-infinity-101t

To perform a manual factory reset

A factory reset returns ALIF101T unit to its default configuration.

- 1 Power on the ALIF101T unit.
- 2 Use a narrow implement (e.g. a straightened-out paper clip) to press-and-hold the recessed reset button on the front panel for roughly fifteen seconds, until the status indicators turn **blue** (Note: alternating red/green indications will occur during the fifteen second period while the button is still pressed).
- 3 Release the reset switch. The indicators will remain **blue** for a short while (less than ten seconds) while ALIF101T unit configures itself and should then change to **green** if all connections are correct; or **orange** if one or more of the video, USB and/or network links are missing.

NOTE: If you are performing a factory reset and intend to disconnect the power immediately after the reset, you must wait at least 30 seconds after you have released the reset button for it to complete the process.