

SM-UHO-16P

16-PORT HDMI KVM SWITCH WITH USB 2.0 SHARING AND OSD



**ACCESS AND CONTROL UP TO 16 HDMI COMPUTERS
FROM A SINGLE USB KEYBOARD/MOUSE AND MONITOR THROUGH OSD**

FEATURES

- Supports all major Operating Systems like Windows, Mac, Linux, Sun, Unix, DOS, etc.
- 4K Ultra-HD resolution - supports up to 3840 x 2160 @ 30Hz
- Simple OSD switching controls
- Zero pixel loss with TMDS signal correction
- Supports USB keyboard and mouse
- Supports additional USB 2.0 devices like printers, scanners, web cameras and more
- Flash upgradeable firmware
- Stereo Audio support
- Front panel keys for manual port selection
- Hot-key commands for quick port selection
- RS-232 for remote control
- Independent (asynchronous) switching of KVM and peripheral USB/audio ports. Users can listen to audio from one computer while working on a different computer, or scan a document and save it on another computer
- Complete keyboard emulation for error free booting

APPLICATIONS

- Server Collocation
- Digital Signage
- Education
- Airports
- Dealer Rooms
- Control Rooms
- Audio/Visual Presentations
- Shopping Centers
- Hotels/Resorts



Designed and Manufactured in the USA

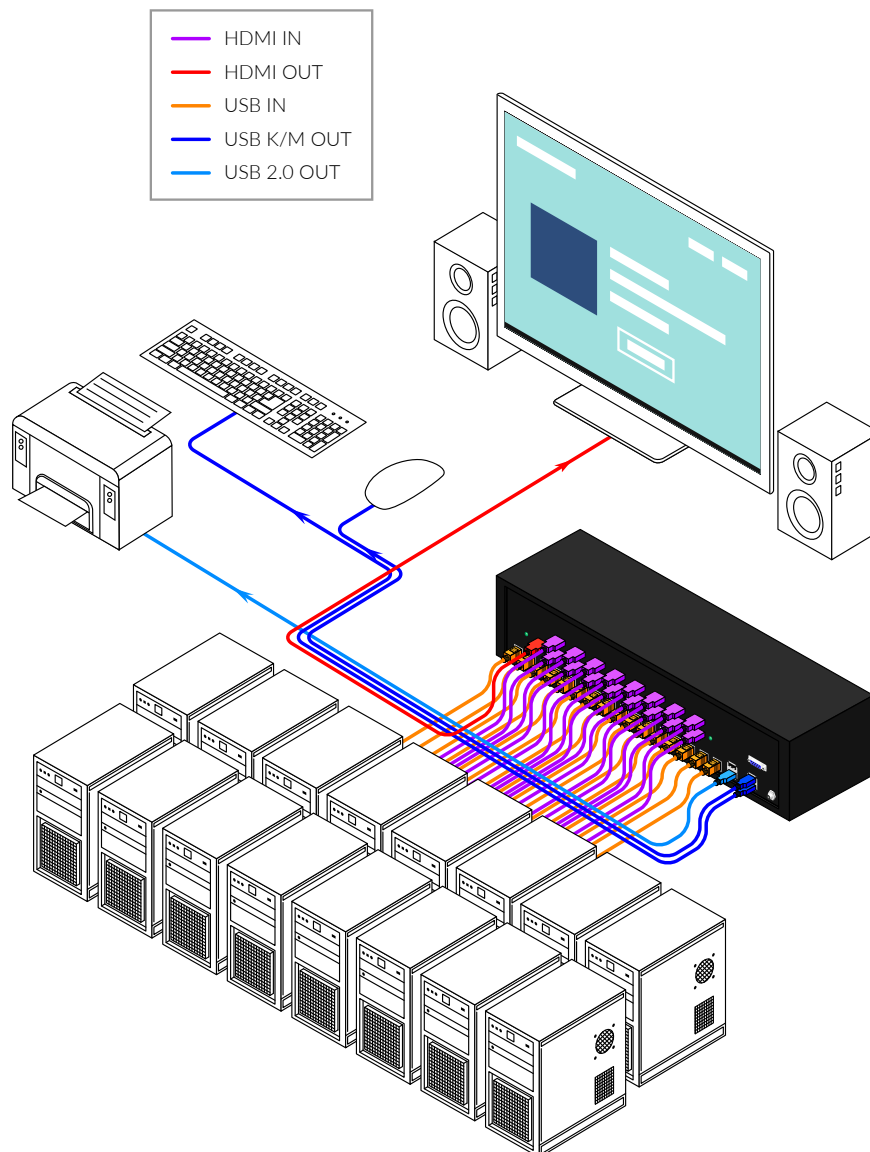
OVERVIEW

The SM-UHO-16P is a dedicated multi-platform KVM Switch capable of managing up to 16 different computers through a single monitor, USB keyboard and mouse, a set of speakers and USB devices like printers, memory devices, scanners, etc.

The SM-UHO-16P supports resolutions of up to 3840 x 2160 @ 30 Hz with zero pixel loss from TMDS signal correction.

APPLICATION DIAGRAM

The main function of this KVM Switch is to centralize the access of several computer into a single, comprehensive KVM Station. Its USB 2.0 functionality support allows users at the console to access USB devices that would otherwise be unavailable on conventional KVM Switches. For example, it allows the use of a flash memory drive or camera without having to plug it directly into the remote computer. The SM-UHO-16P is a perfect solution for the medical or industrial field where it may not be practical or safe to have on or more CPUs in the general vicinity.



FLEXIBLE CONTROL

RS-232

Any external device or program supporting RS-232 can control the SM-UHO-16P. The SM-UHO-16P uses a very simple protocol, enabling easy integration with the RS-232 control devices.

USB/KEYBOARD

Hot keys enable the user to switch and control all the different functions of the KVM Switch

FLEXIBLE SHARING

INDEPENDENT SIMULTANEOUS DEVICE SELECTION

Flexibility is key with the SM-UHO-16P. It enables the use of a USB keyboard and mouse on one computer while other USB peripherals such as speakers, scanners and printers are connected to other computer sources. The SM-UHO-16P maintains the ability to switch all connected devices to any one of the computer sources as with any other KVM Switch in the market.



SM-UHO-16P Back



SM-UHO-16P Front

SIMPLE OPERATION

Switching between the display modes is simple: Use the buttons on the front panel, the programmable keyboard hotkeys, RS-232 commands or use the built-in on screen display (OSD). The OSD is accessible at the press of a button, and features controls for all of the SM-UHO-16P's functions. The SM-UHO-16P is easily programmable through the setup function of the OSD.

```
SmartAVI Inc      UHD16P-OSD
Channel list:
COMPUTER 1       COMPUTER 9
COMPUTER 2       COMPUTER 10
COMPUTER 3       COMPUTER 11
COMPUTER 4       COMPUTER 12
COMPUTER 5       COMPUTER 13
COMPUTER 6       COMPUTER 14
COMPUTER 7       COMPUTER 15
COMPUTER 8       COMPUTER 16
F8 Name F9 EDID  Enter  Esc
```

```
SmartAVI Inc      UHD16P-OSD
Select EDID:
Default
Local
F8 Name F9 EDID  Enter  Esc
```

Screenshots of the SM-UHO-16P's OSD

TECHNICAL SPECIFICATIONS

VIDEO	
Format	HDMI
Input Interface	(16) HDMI 19-pin
Output Interface	(1) HDMI 19-pin
Resolution	Up to 4K (3840 x 2160 @ 30 Hz); Up to 1920 x 1080 @ 60Hz (DVI-D)
DDC	5 volts p-p (TTL)
Input Equalization	Automatic
Input Cable Length	Up to 20 ft.
Output Cable Length	Up to 20 ft.

USB	
Signal Type	USB 2.0, 1.1, and 1.0 w/ internal hub
Input Interface	(16) USB Type B
Output Interface	(2) USB 1.1 Type A for KVM Devices; (2) USB 2.0 Type A Transparent

CONTROL	
Front Panel	Push Buttons with LED Indicators
RS-232	Via Control @ 115200 bps
Hot Keys	Via Keyboard
OSD	Via KM arrow keys

OTHER	
Power	External 100-240 VAC/12VDC3A @ 24W
Dimensions	17.0" W x 2.7" H x 8.69" D
Weight	6.9 lbs
Approvals	UL, CE, ROHS Compliant
Operating Temperature	+32 to +104°F (0 to +40°C)
Storage Temperature	-4 to 140°F (-20 to +60°C)
Humidity	Up to 80% (No Condensation)
Emulation	Keyboard and Mouse

PART NO.	DESCRIPTION
SM-UHO-16P-S	Single-Head 16-Port HDMI KVM Switch with USB 2.0 Support and OSD. Includes: [SM-UHO-16P, and PS12VD3A]

www.smartavi.com

Tel: (800) AVI-2131 • (702) 800-0005
2455 W Cheyenne Ave, Suite 112
North Las Vegas, NV 89032

Smart-AVI
SMART AUDIO VIDEO INNOVATION