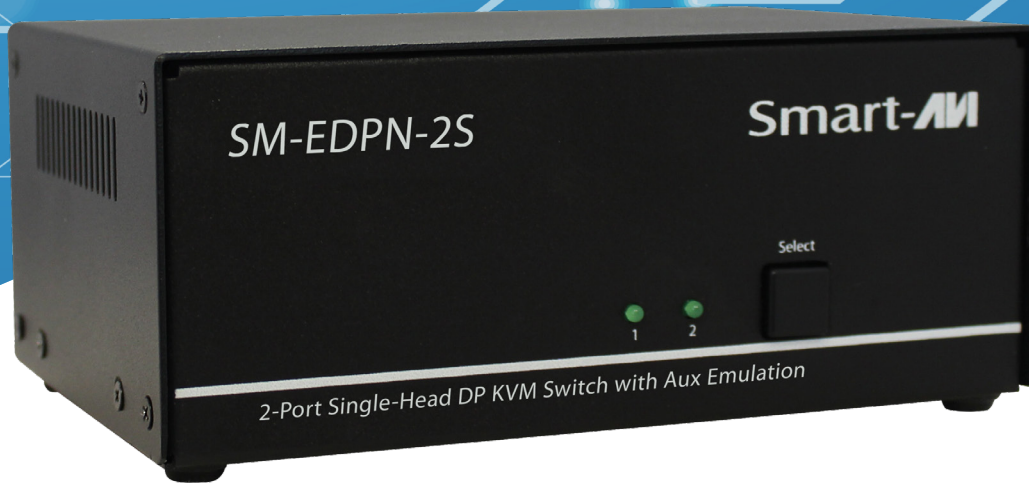


SM-EDPN-2S

SINGLE HEAD 2-PORT UHD 4K@60 DP KVM SWITCH
WITH EDID (AUX) EMULATION



FIRST IN MARKET DISPLAYPORT KVM SWITCH WITH EDID (AUX) EMULATION & 4K@60 RESOLUTION

KEY FEATURES

- EDID (AUX) Emulation: Window and Monitor Configurations remain intact when switching channels .
- Supports resolutions up to 3840 x 2160 @ 60 Hz.
- Supports USB keyboard and mouse emulation.
- Supports additional USB 2.0 devices like printers, scanners, web cameras and more.
- Flash upgradeable firmware.
- Stereo Audio support.
- Front panel keys for manual port selection.
- Hot-key commands for quick port selection.
- RS-232 for serial communication.
- Independent (asynchronous) switching of KVM and peripheral USB/audio ports. Users can listen to audio from one computer while working on a different computer, or scan a document and save it on another computer.
- Supports all major Operating Systems like Windows, Mac, Linux, Sun, Unix, DOS, etc..

APPLICATIONS

- Server Collocation
- Digital Signage
- Education
- Airports
- Dealer Rooms
- Control Rooms
- Audio/Visual Presentations
- Shopping Centers
- Hotels/Resorts



Designed and Manufactured in the USA

WHY EDID (AUX) EMULATION?

- **CONSISTENT SCREEN RESOLUTIONS:**

With EDID (AUX) Emulation, your screen resolutions stay static, providing a stable visual experience.

- **PERSISTENT ICON AND WINDOW POSITIONS:**

Switch channels without the chaos. Icons and window positions remain undisturbed, ensuring a smooth transition between tasks.

- **MULTI-HEAD STABILITY:**

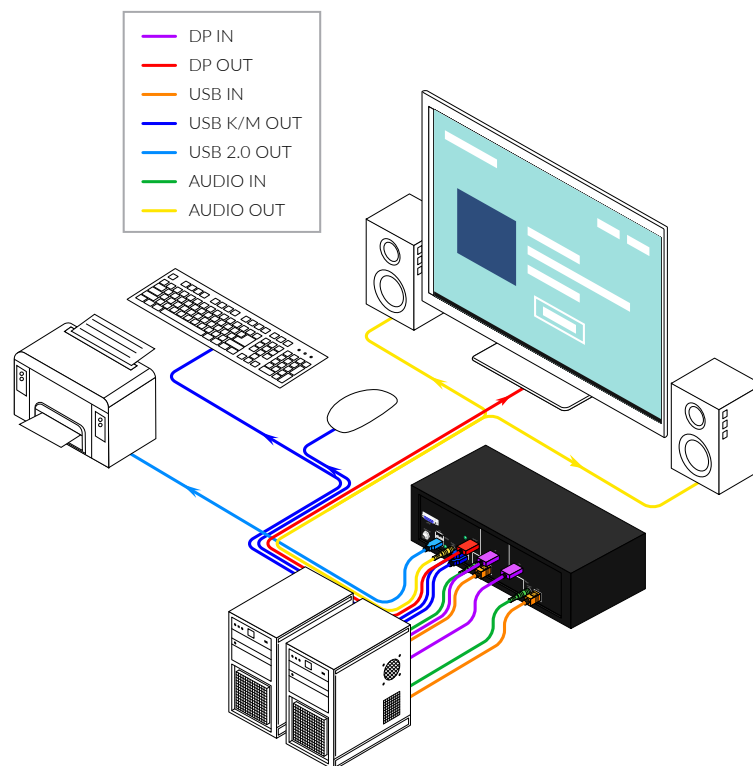
In multi-head setups, monitor positions stay intact, maintaining the organization you've carefully set up within your operating system.

Navigating DisplayPort systems has historically posed challenges due to the use of (AUX) for EDID information communication. Unlike DVI and HDMI, where emulation is straightforward, (AUX) introduces complexities. We are thrilled to introduce this groundbreaking solution to the market, offering unparalleled stability and consistency in DisplayPort systems.

OVERVIEW

Introducing the SM-EDPN-2S, a superior KVM solution for your needs. Using EDID (AUX) Emulation, your window and monitor configurations remain intact when switching channels, ensuring a smooth and uninterrupted workflow. This KVM supports UHD resolutions up to 3840 x 2160 @ 60 Hz, delivering crystal-clear visuals for your demanding tasks.

APPLICATION DIAGRAM



FLEXIBLE CONTROL

RS-232

Any external device or program supporting RS-232 can control the SM-EDPN-2S. The SM-EDPN-2S uses a very simple protocol, enabling easy integration with the RS-232 control devices.

USB/KEYBOARD

Hot keys enable the user to switch and control all the different functions of the KVM Switch

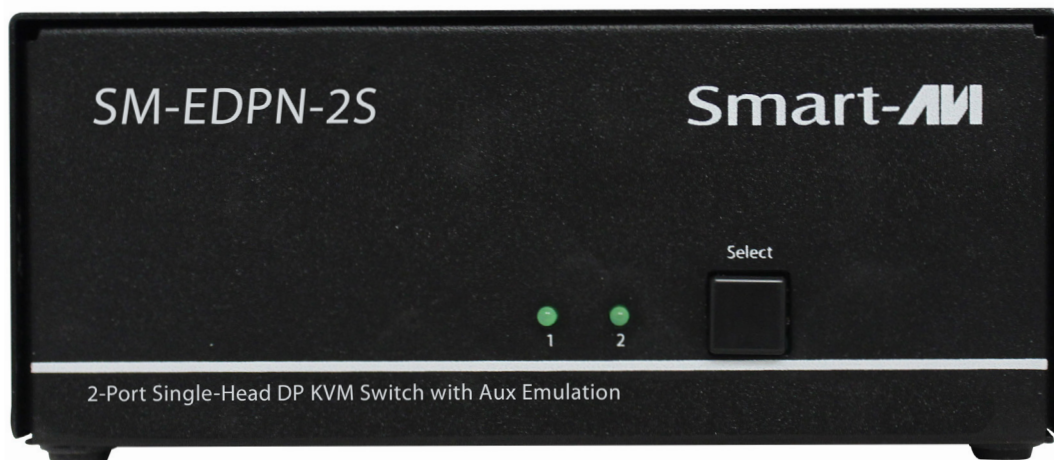
FLEXIBLE SHARING

INDEPENDENT SIMULTANEOUS DEVICE SELECTION

Flexibility is key with the SM-EDPN-2S. It enables the use of a USB keyboard and mouse on one computer while other USB peripherals such as speakers, scanners and printers are connected to other computer sources. The SM-EDPN-2S maintains the ability to switch all connected devices to any one of the computer sources as with any other KVM Switch in the market.



SM-EDPN-2S Back



SM-EDPN-2S Front

TECHNICAL SPECIFICATIONS

| VIDEO | |
|---------------------|---|
| Format | DisplayPort |
| Input Interface | (2) DisplayPort |
| Output Interface | (1) DisplayPort |
| Resolution | 3840 x 2160 @ 60 Hz |
| Color Mode | 24-bit |
| DDC | 5 volts p-p (TTL) |
| Input Equalization | Automatic |
| Input Cable Length | Up to 20 ft. |
| Output Cable Length | Up to 20 ft. |
| Data Rate | 1.65 Gbps per color |
| Console Monitors | Supports both digital and analog monitors |

| AUDIO | |
|--------------------|-------------------------|
| Input Interface | (4) 3.5 mm Stereo Audio |
| Output Interface | (1) 3.5 mm Stereo Audio |
| Impedance | 600 Ohm |
| Frequency Response | 20 Hz to 20 kHz |
| Nominal Level | 0-1.0 V |
| Common Mode | Rejection at 60 dB |

| SOFTWARE COMPATIBILITY | |
|------------------------|--|
| Operating Systems | Operates with virtually any OS including Windows, DOS, Linux, Unix, Sun, Mac, etc. |

| USB | |
|------------------|---|
| Signal Type | USB 2.0, 1.1, and 1.0 w/ internal hub |
| Input Interface | (4) USB Type B |
| Output Interface | (2) USB 1.1 Type A for KVM Devices; (2) USB 2.0 Type A Transparent |

| CONTROL | |
|-------------|----------------------------------|
| Front Panel | Push Buttons with LED Indicators |
| RS-232 | Via Control @ 115200 bps |
| Hot Keys | Via Keyboard |

| OTHER | |
|-----------------------|---------------------------------------|
| Power | External 100-240 VAC/12VDC2A @ 24W |
| Dimensions | 4" W x 3" H x 6.5" D |
| Weight | 4.0 lbs |
| Approvals | UL, CE, ROHS Compliant |
| Operating Temperature | +32 to +104°F (0 to +40°C) |
| Storage Temperature | -4 to 140°F (-20 to +60°C) |
| Humidity | Up to 80% (No Condensation) |
| Emulation | Video, Keyboard and Mouse |

| PART NO. | DESCRIPTION |
|------------|--|
| SM-EDPN-2S | Single Head 2-Port DisplayPort KVM Switch with Audio and Video Emulation. Includes: [SM-EDPN-2S, and PS12VD3A] |