

Low-Cost HDMI Over Gigabit IP Network Range Extender (Next-Generation Model)

XTENDEX®

Extend an HDMI display up to 394 feet away from the source using gigabit Ethernet. Use with cascaded network switches to extend the length long distances.

- Supports HDTV resolutions to 1080p.
 - Extend up to 394 feet (120 meters) with CAT6/6a/7 cable.
 - Extend up to 328 feet (100 meters) with CAT5e cable.
- Cascade network switches to extend the length long distances.
 - The max cable lengths between the first switch/transmitter and between the last switch/receiver are 394 feet (120 meters) for CAT6/6a/7 or 328 feet (100 meters) for CAT5e cables.
 - The max cable lengths between switches is switch dependent, but 328 feet (100 meters) is typical.
 - An unlimited number of switches can be cascaded.
- Ideal solution for digital signage applications.
- Broadcast real-time HDMI video and audio signals to multiple display locations with a managed or unmanaged (also known as non-managed) network switch.
- Transmits an HDMI signal over one CATx cable.
- Plug-and-Play installation allows receivers to find the transmitters automatically on the same subnet. (Network configuration may be required for managed network switch.)
- Web interface for firmware updates.
- Easily expandable. Add remote units as you add monitors.
- Inexpensive CATx cable replaces bulky video cables.
- Supports 100/1000 Base-T Ethernet connection.
- Built in default EDID table.
- HDMI 1.3 and HDCP 1.4 compliant.
- Support for multiple transmitters requires a managed network switch with VLAN support. Standard LAN switches can only support one transmitter.
 - The managed switch must support port-based IEEE 802.1Q VLAN.
 - Each VLAN acts as a separate HDMI Over IP Channel on the network.
 - ◆ Each VLAN channel supports one transmitter.
 - Number of local and remote units that can be used is dependent on the backplane bandwidth of the switch.
- For a point-to-many connection, a standalone network with an unmanaged network switch, hub, or router can be used instead of a managed network switch.
 - Up to 253 receivers supported.
 - It is not recommended to use any other network devices on this standalone network as it may cause a degradation in performance.
- Uses H.264 technology to process image compression.
- Local and remote units must be in the same LAN. The units do not support WAN connections.



**ST-IPHD-LC-V4 Receiver
(Front & Back)**

The XTENDEX® Low-Cost HDMI Over Gigabit IP Extender multicasts digital video and audio signals to one or more receivers up to 394 feet away over a 100/1000 Base-T Gigabit Network connected with CAT6/6a/7 cable.

Each Low-Cost HDMI Over Gigabit IP Extender consists of a local unit that connects to an HDMI source, and a remote unit that connects to an HDMI display. The local and remote units can be connected together for a Point-to-Point connection via CATx or a Point-to-Many connection via a network switch. Support for multiple transmitters requires a managed network switch.

- **Extend 1080p video up to 394 ft via One CATx Cable**
- **Use with cascaded network switches to extend the length**
- **Supports Point-to-Point, Point-to-Many, & Many-to-Many connections**

NOTE: ST-IPHD-LC-V4 models are NOT compatible with ST-IPHD-LC(-CLR) models due to different chipsets being used.

Low-Cost HDMI Over Gigabit IP Network Range Extender (Next-Generation Model) XTINDEX®

Extend an HDMI display up to 394 feet away from the source using gigabit Ethernet. Use with cascaded network switches to extend the length long distances.

Specifications

Local Unit

- One female HDMI-A port for source connection.
- One female 1000Mbps RJ45 port for sending high definition video/audio signals.
- Supported input resolutions: 480i@60Hz, 480p@60Hz, 576i@50Hz, 576p@50Hz, 720p@50/60Hz, 1080i@50/60Hz, 1080p@50/60Hz
- Codec: H.264
- Encoding delay: <100 ms latency

Remote Unit

- One female HDMI-A port for HDTV or computer display.
- One female 1000Mbps RJ45 port for receiving high definition video/audio signals.
- Supported output resolutions: 480p@60Hz, 576p@50Hz, 720p@50/60Hz, 1080p@50/60Hz
- Supports embedded digital audio through HDMI compatible TVs or audio receivers.

Power

- Local and remote unit:
 - Input: 100 to 240 VAC at 50 or 60 Hz via AC adapter.
 - Output: 5VDC, 1A
 - Power Cord Plug
 - ◆ ST-IPHD-LC-V4: US NEMA 1-15P
 - ◆ ST-IPHD-LC-V4EU: Europlug CEE 7/16
 - ◆ ST-IPHD-LC-V4UK: UK BS1363
 - ◆ ST-IPHD-LC-V4AU: AS/NZS 3112
 - ◆ ST-IPHD-LC-V4UNV: US NEMA 1-15P with country-specific universal power plug adapter
- Power consumption:
 - Local: 2W
 - Remote: 1.85W

Dimensions

- WxDxH: 2.28x4.33x1.02 in (58x110x26 mm)

Max Distance

- 394 feet (120 meters) over CAT6/6a/7 cable.
- 328 feet (100 meters) over CAT5e cable.

Cables

- Use HD-xx-MM cable to connect an HDMI source or display up to 50 feet (not included).
- Use HD-ACT-xx-MM 4K HDMI Active Cables to connect an HDMI source or display up to 100 feet.
- Use DP-HD-xx-MM cables to connect a DisplayPort source up to 15 feet away from the transmitter.
- Use CATx solid or stranded straight through cable for TIA/EIA-568B wiring terminated with standard RJ45 connectors (not included).

Environment

- Operating temperature: 32 to 140°F (0 to 60°C).
- Storage temperature: -4 to 158°F (-20 to 70°C).
- Operating and storage relative humidity: 0 to 95% non-condensing RH.

Regulatory Approvals

- CE, FCC, RoHS

Warranty

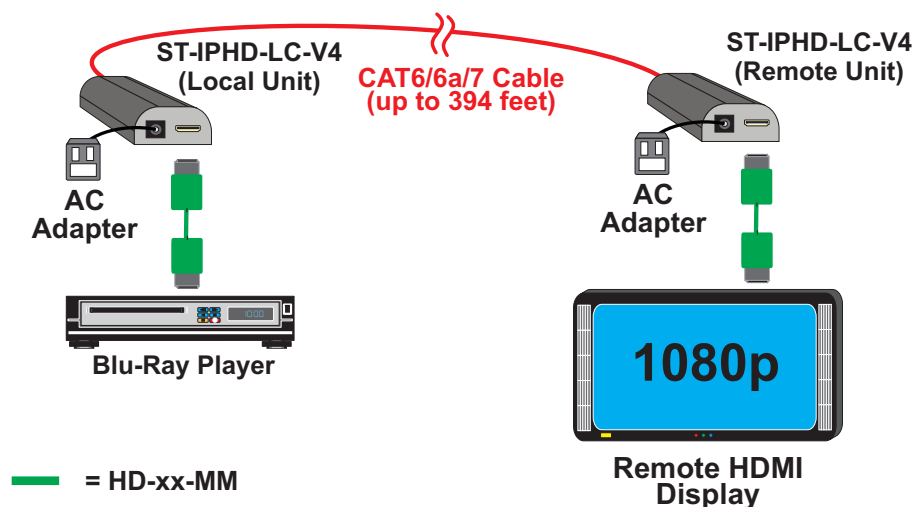
- Two years.

Compatible NTI Products

- Combine NTI's video splitters and extenders for complex applications
 - 4K DVI/HDMI Video Splitter (VOPEX-DVI4K-2)
 - ◆ Supports HDTV resolutions to 1080p when used with the extenders.
 - HDMI Quad Screen Splitter/Multiviewer (SPLITMUX-HD-4RT)
 - HDMI 2.0 EDID Emulator (HD4K-EDID-EMLTR)

Configuration and Cable Illustrations

Point-to-Point Connection



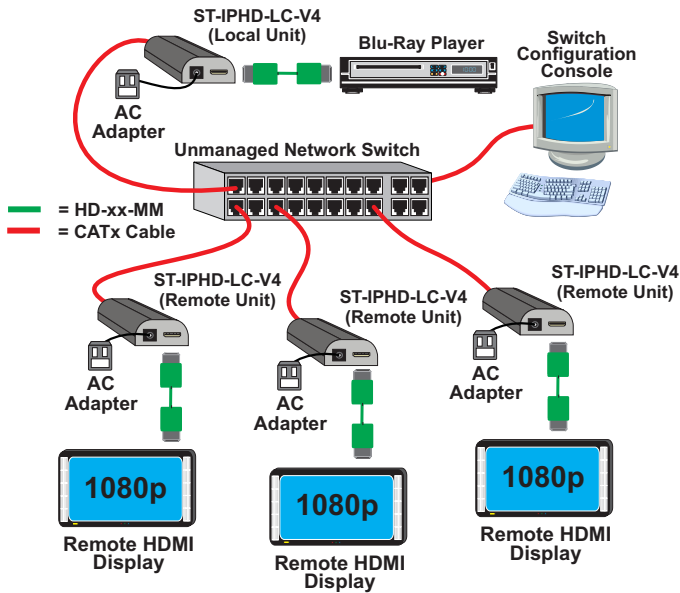
Low-Cost HDMI Over Gigabit IP Network Range Extender (Next-Generation Model)

XTENDEX®

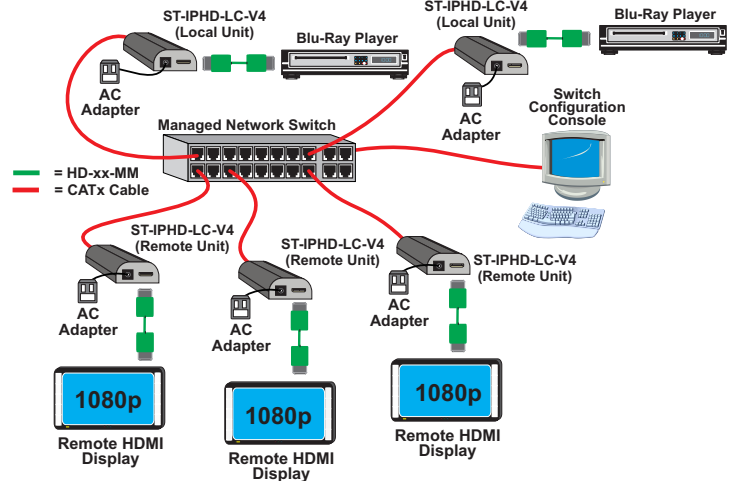
Extend an HDMI display up to 394 feet away from the source using gigabit Ethernet. Use with cascaded network switches to extend the length long distances.

Configuration and Cable Illustrations (Continued)

Point-to-Many Connections



Many-to-Many Connections



Low-Cost HDMI Over Gigabit IP Extender - Transmitter & Receiver Set

NTI Part #	Power Cord Plug
ST-IPHD-LC-V4	US NEMA 1-15P
ST-IPHD-LC-V4EU	Europlug CEE 7/16
ST-IPHD-LC-V4UK	UK BS1363
ST-IPHD-LC-V4AU	AS/NZS 3112
ST-IPHD-LC-V4UNV	US NEMA 1-15P with country-specific universal power plug adapter

Low-Cost HDMI Over Gigabit IP Extender - Receiver Only

NTI Part #	Power Cord Plug
ST-IPHD-R-LC-V4	US NEMA 1-15P
ST-IPHD-R-LC-V4EU	Europlug CEE 7/16
ST-IPHD-R-LC-V4UK	UK BS1363
ST-IPHD-R-LC-V4AU	AS/NZS 3112
ST-IPHD-R-LC-V4UNV	US NEMA 1-15P with country-specific universal power plug adapter