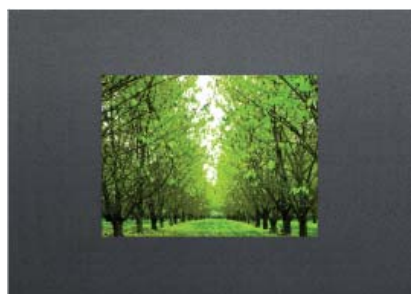


User Manual 6.5" LCD



AP-6

Aluminum front bezel



DP-6

Aluminum front cover



OP-6

Universal Mounting Open Frame

NAP-6

Front NEMA4 / IP65



Legal Information

First English printing, December 2018

Information in this document has been carefully checked for accuracy; however, no guarantee is given to the correctness of the contents. The information in this document is subject to change without notice. We are not liable for any injury or loss that results from the use of this equipment.

Safety Instructions

Please read all of these instructions carefully before you use the device. Save this manual for future reference.

- Unplug equipment before cleaning. Don't use liquid or spray detergent; use a moist cloth.
- Keep equipment away from excessive humidity and heat. Preferably, keep it in an air-conditioned environment with temperatures not exceeding 40° Celsius (104° Fahrenheit).
- When installing, place the equipment on a sturdy, level surface to prevent it from accidentally falling and causing damage to other equipment or injury to persons nearby.
- When the equipment is in an open position, do not cover, block or in any way obstruct the gap between it and the power supply. Proper air convection is necessary to keep it from overheating.
- Arrange the equipment's power cord in such a way that others won't trip or fall over it.
- If you are using a power cord that didn't ship with the equipment, ensure that it is rated for the voltage and current labeled on the equipment's electrical ratings label. The voltage rating on the cord should be higher than the one listed on the equipment's ratings label.
- Observe all precautions and warnings attached to the equipment.
- If you don't intend on using the equipment for a long time, disconnect it from the power outlet to prevent being damaged by transient over-voltage.
- Keep all liquids away from the equipment to minimize the risk of accidental spillage. Liquid spilled on to the power supply or on other hardware may cause damage, fire or electrical shock.
- Only qualified service personnel should open the chassis. Opening it yourself could damage the equipment and invalidate its warranty.
- If any part of the equipment becomes damaged or stops functioning, have it checked by qualified service personnel.

What the warranty does not cover

- Any product, on which the serial number has been defaced, modified or removed.
- Damage, deterioration or malfunction resulting from:
 - Accident, misuse, neglect, fire, water, lightning, or other acts of nature, unauthorized product modification, or failure to follow instructions supplied with the product.
 - Repair or attempted repair by anyone not authorized by us.
 - Any damage of the product due to shipment.
 - Removal or installation of the product.
 - Causes external to the product, such as electric power fluctuation or failure.
 - Use of supplies or parts not meeting our specifications.
 - Normal wear and tear.
 - Any other causes which does not relate to a product defect.
- Removal, installation, and set-up service charges.

Regulatory Notices Federal Communications Commission (FCC)

This equipment has been tested and found to comply with the limits for a Class B digital device, pursuant to Part 15 of the FCC rules. These limits are designed to provide reasonable protection against harmful interference in a residential installation.

Any changes or modifications made to this equipment may void the user's authority to operate this equipment. This equipment generates, uses, and can radiate radio frequency energy and, if not installed and used in accordance with the instructions, may cause harmful interference to radio communications.

However, there is no guarantee that interference will not occur in a particular installation. If this equipment does cause harmful interference to radio or television reception, which can be determined by turning the equipment off and on, the user is encouraged to try to correct the interference by one or more of the following measures:

- Re-position or relocate the receiving antenna.
- Increase the separation between the equipment and receiver.
- Connect the equipment into an outlet on a circuit different from that to which the receiver is connected.

Contents

< Part. 1 > AP-6 / NAP-6

- | | | |
|-----|----------------------------------|---------|
| 1.1 | Package Content | P.1 |
| 1.2 | Structure Diagram & Dimension | P.2 - 3 |
| 1.3 | Mounting Hardware & Installation | P.4 |

< Part. 2 > DP-6

- | | | |
|-----|----------------------------------|---------|
| 2.1 | Package Content | P.5 |
| 2.2 | Structure Diagram & Dimension | P.6 - 7 |
| 2.3 | Mounting Hardware & Installation | P.8 |

< Part. 3 > OP-6

- | | | |
|-----|----------------------------------|-----------|
| 3.1 | Package Content | P.9 |
| 3.2 | Structure Diagram & Dimension | P.10 - 11 |
| 3.3 | Mounting Hardware & Installation | P.12 |

< Part. 4 > Specifications / OSD

- | | | |
|-----|-------------------------------------|-----------|
| 4.1 | Product Specifications | P.13 - 14 |
| 4.2 | On-screen Display Operation (OSD) | P.15 |

< Part. 5 > Options

- | | | |
|-----|--|-----------|
| 5.1 | Option Table | P.16 |
| 5.2 | AV1.2 Upgrade : S-Video + BNC & Audio | P.17 |
| 5.3 | Resistive / Capacitive (1-point touch) | P.18 - 19 |
| 5.4 | DC Power : 12V / 24V / 48V | P.20 |
| 5.5 | TV (Analog) | P.21 - 22 |

Before Installation

- It is very important to mount the equipment in a suitable cabinet or on a stable surface.
- Make sure the place has a good ventilation, is out of direct sunlight, away from sources of excessive dust, dirt, heat, water, moisture and vibration.

Unpacking

The equipment comes with the standard parts shown in package content. Check and make sure they are included and in good condition. If anything is missing, or damaged, contact the supplier immediately.

How To Clean Your LCD Monitor



Caution :

- To avoid the risk of electric shock, make sure your hands are dry before unplugging your monitor from or plugging your monitor into an electrical outlet.
- When you clean your monitor, do not press down on the LCD screen. Pressing down on the screen can scratch or damage your display. Pressure damage is not covered under warranty.
- Use only cleansers made specifically for cleaning monitors and monitor screens. Cleansers not made to clean monitors and monitor screens can scratch the LCD display or strip off the finish.
- Do not spray any kind of liquid directly onto the screen or case of your monitor. Spraying liquids directly onto the screen or case can cause damage which is not covered under warranty.
- Do not use paper towels or abrasive pads to clean your monitor. Using an abrasive pad or any wood based paper product such as paper towels can scratch your LCD screen.

Cleaning Your Monitor

To clean your LCD safely, please follow these steps :

- ① Disconnect the power cord.
- ② Gently wipe the surface using a clean, dry microfiber cloth. Use as little pressure as possible.

Cleaning Tough Marks and Smudges

To remove tough marks and smudges, please follow these steps :

- ① Disconnect the power cord.
- ② Spray a small amount of non-abrasive cleanser on a microfiber cloth.



Caution : Do not spray or apply any liquids directly onto the monitor. Always apply the solution to your microfiber cloth first, not directly on the parts you are cleaning.

- ③ Gently wipe the surface. Use as little pressure as possible.
- ④ Wait until your monitor is completely dry before plugging it in and powering it up.

AP-6 / NAP-6



6.5" LCD display X 1

6ft VGA cable X 1

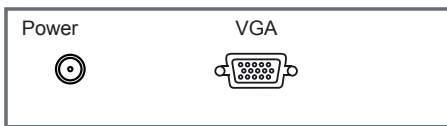
Power adapter X 1

Power cord X 1

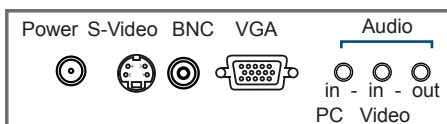
Mounting hardware X 1 pack

- Mounting bracket x 2 pcs
- M4* 6mm screw x 4 pcs
- M4* 50mm screw x 4 pcs

Basic I/O

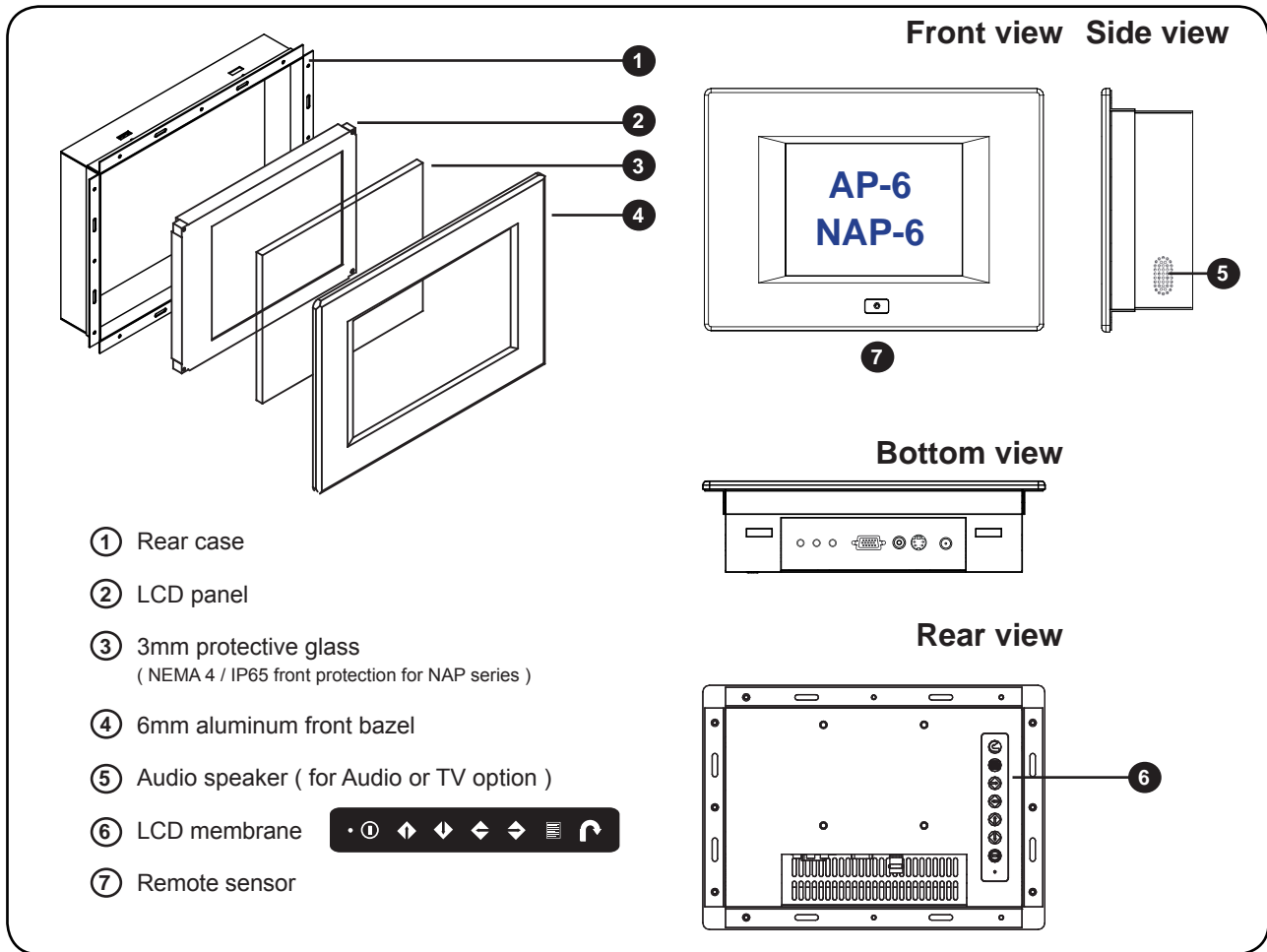


AV1.2 upgrade I/O



- Options : S-Video + BNC, Audio

< 1.2 > Structure Diagram

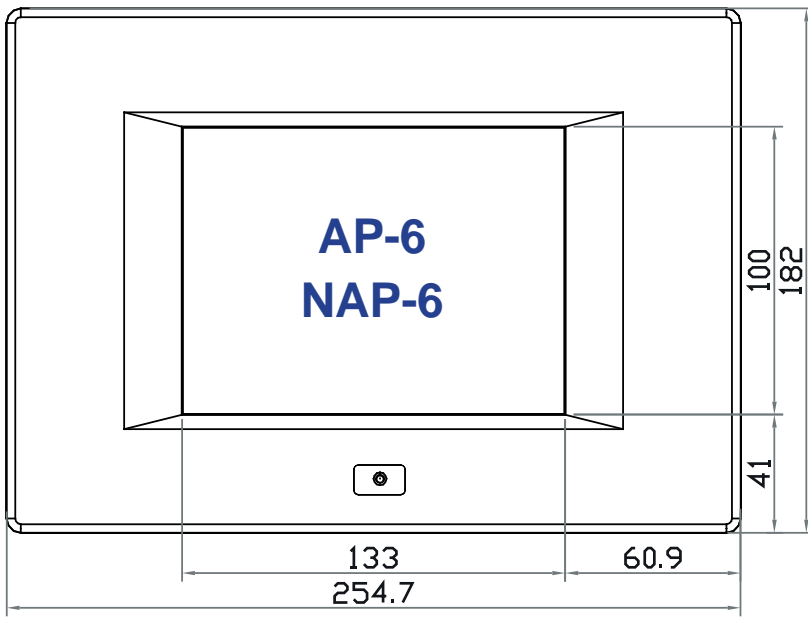


Model	Product Dimension (W x D x H)	Packing Dimension (W x D x H)	Net Weight	Gross Weight
AP-6 NAP-6	254.7 x 67.8 x 182 mm 10 x 2.7 x 7.2 inch	515 x 117 x 429 mm 20.3 x 4.6 x 16.9 inch	2.1 kg 4.6 lb	4.1 kg 9 lb

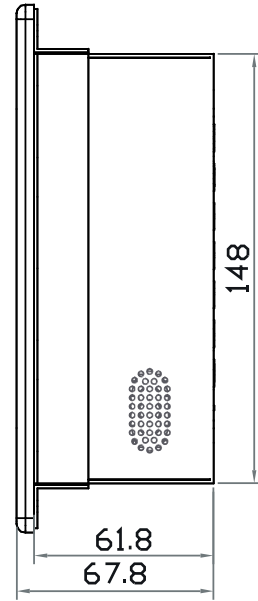
< 1.2 > Dimension

6.5" LCD Display

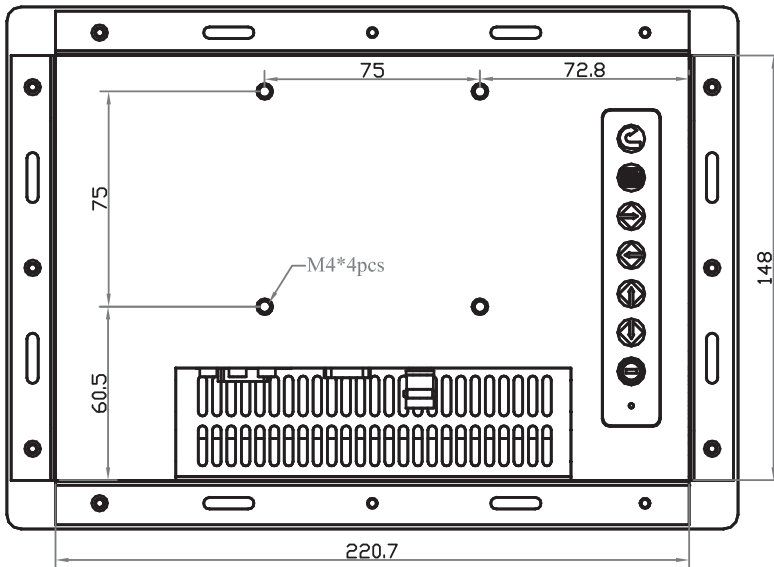
Front View



Side View

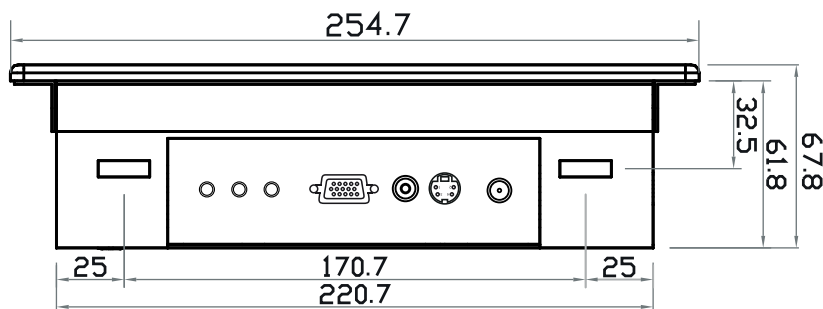


Rear View



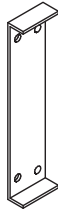
UNIT : mm
1mm = 0.03937 inch

Bottom View



< 1.3 > Installation (I) Panel mount

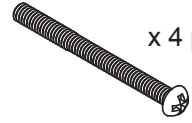
- 1 Mounting bracket
x 2 pcs



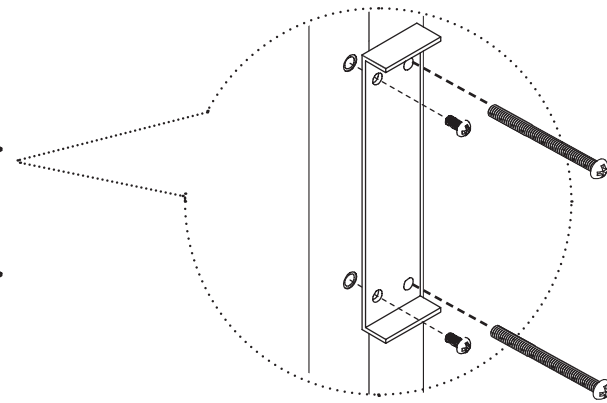
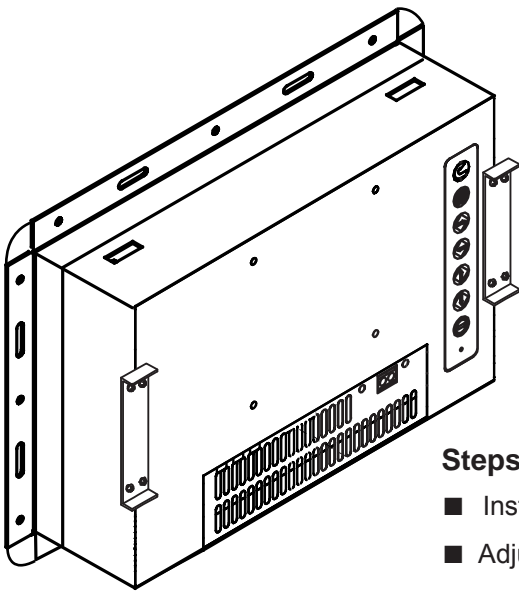
- 2 M4*6mm screw
x 4 pcs



- 3 M4*50mm screw
x 4 pcs



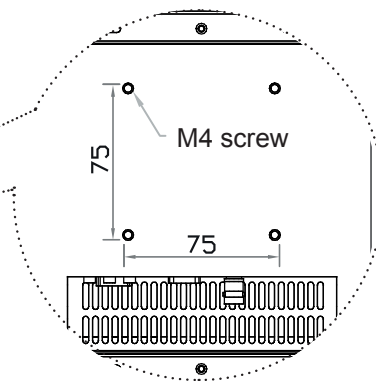
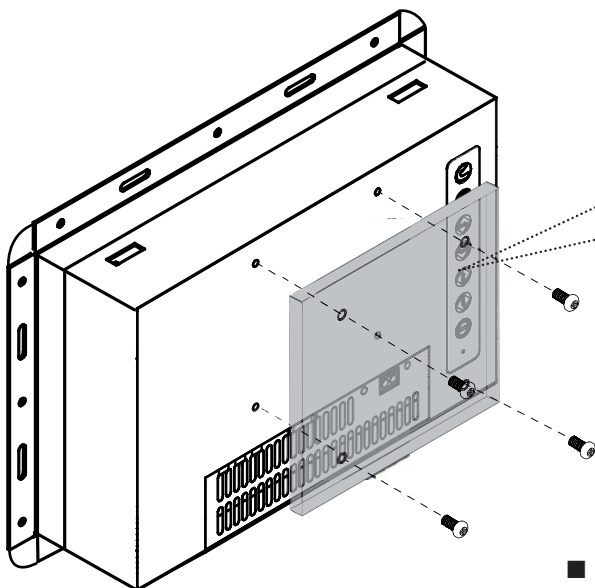
Hardware set part no. UV-BK#1



Steps

- Install 2 mounting brackets with 4 x M4*6mm screws
- Adjust the LCD panel with 4 x M4*50mm screws and fix it on the surface.

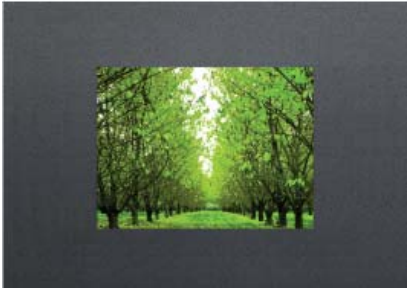
(II) VESA mount (75*75mm)



VESA mount (75*75mm)

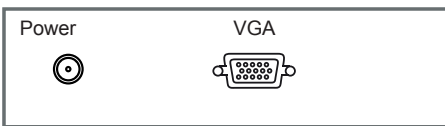
- Hardware and M4*4 pcs for VESA mount are not provided

DP-6

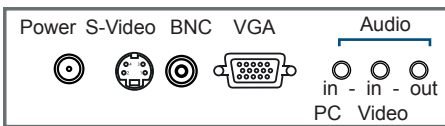


- 6.5" LCD display X 1
- 6ft VGA cable X 1
- Power adapter X 1
- Power cord X 1

Basic I/O

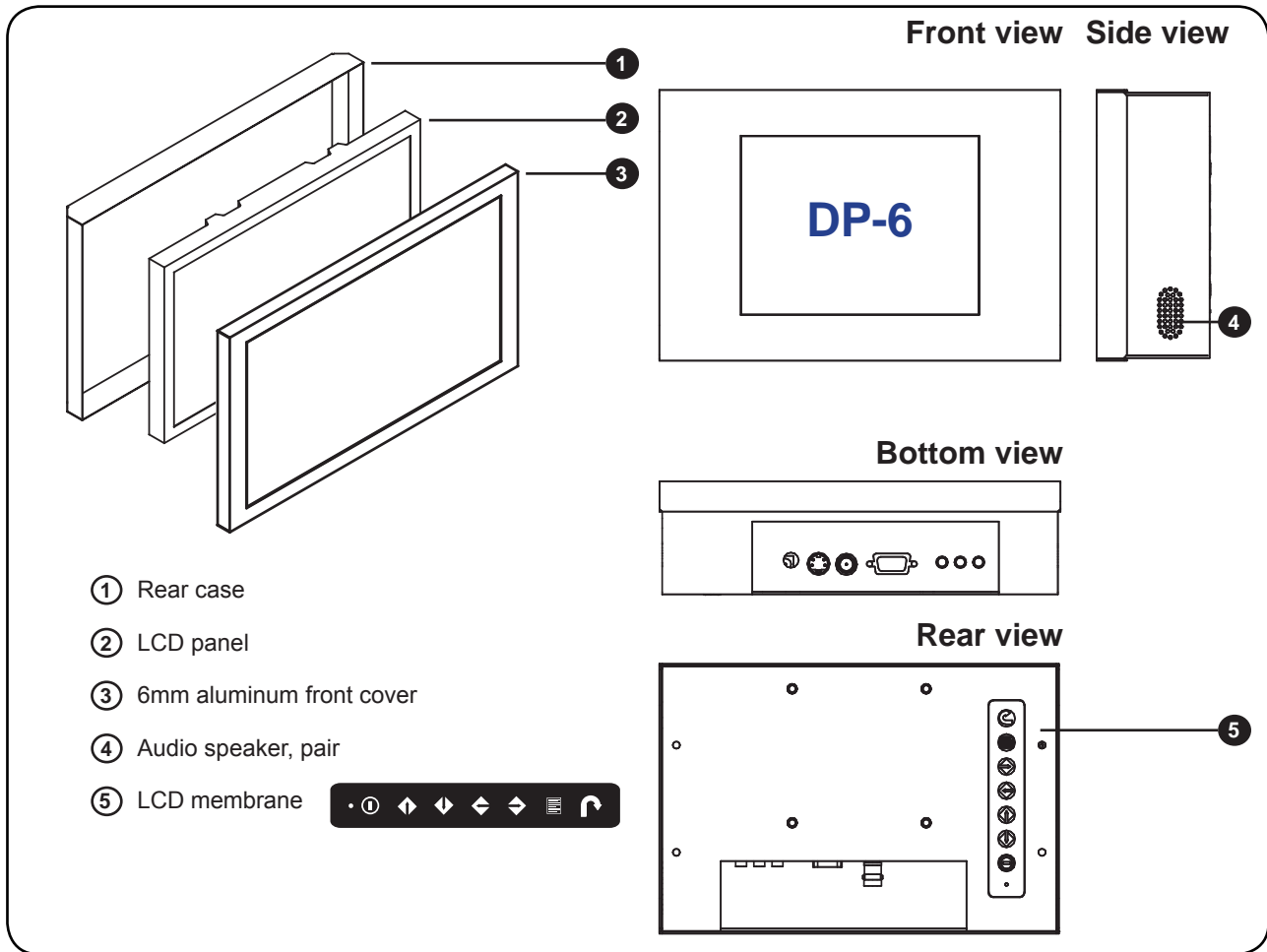


AV1.2 upgrade I/O



- Options : S-Video + BNC, Audio

< 2.2 > Structure Diagram

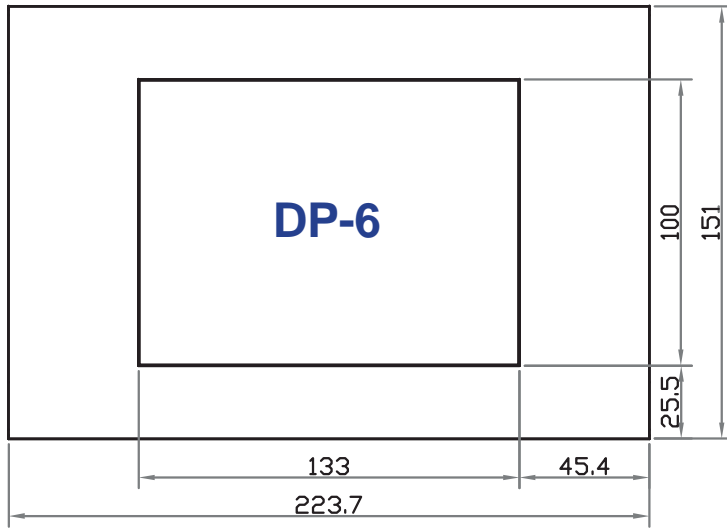


Model	Product Dimension (W x D x H)	Packing Dimension (W x D x H)	Net Weight	Gross Weight
DP-6	223.7 x 63.1 x 151 mm 8.8 x 2.5 x 5.9 inch	515 x 117 x 429 mm 20.3 x 4.6 x 16.9 inch	1.8 kg 4 lb	3.8 kg 8.4 lb

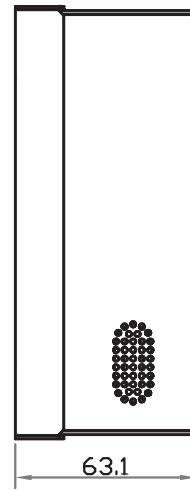
< 1.2 > Dimension

6.5" LCD Display

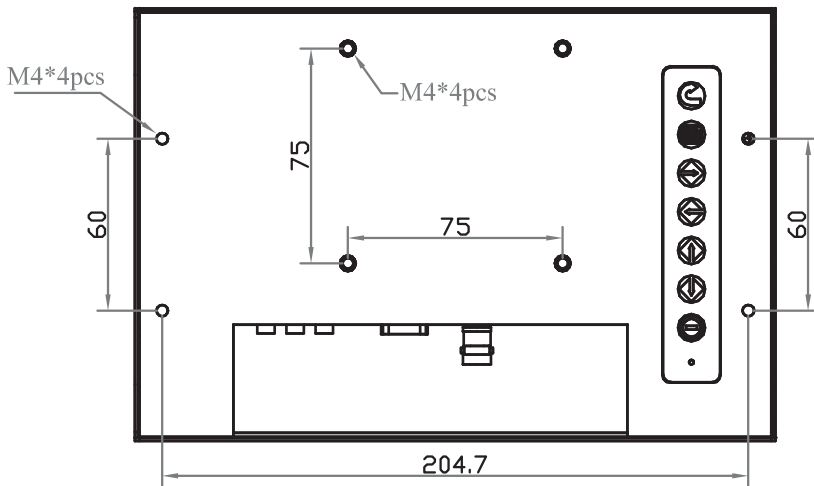
Front View



Side View

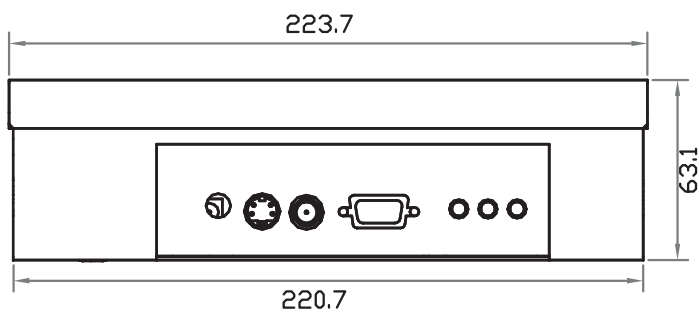


Rear View

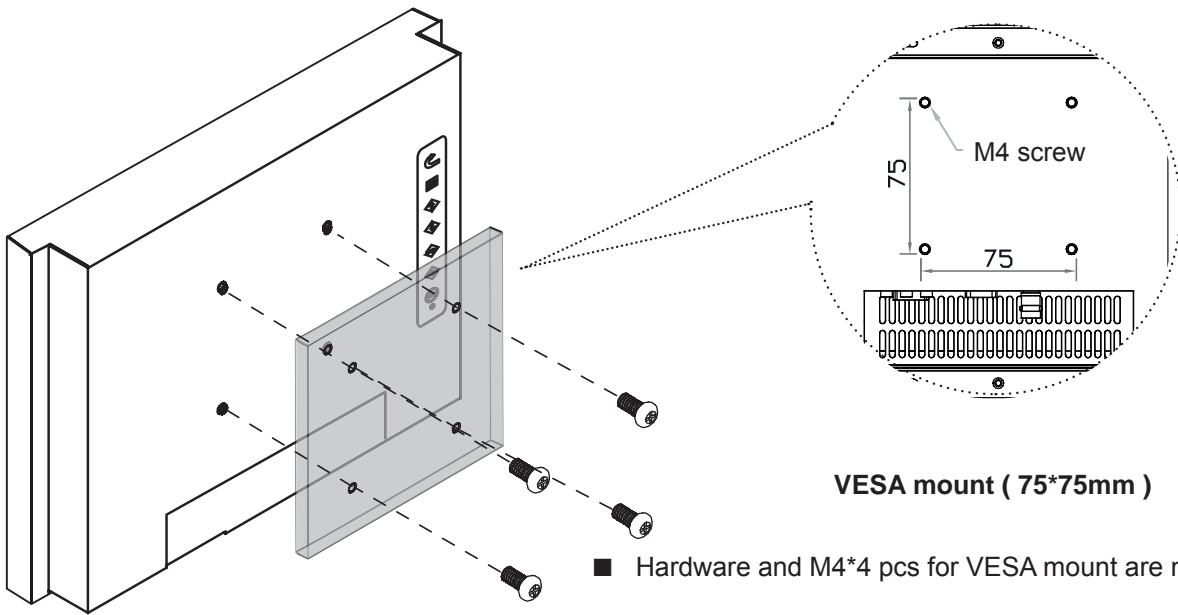


UNIT : mm
1mm = 0.03937 inch

Bottom View



< 2.3 > VESA mount Installation

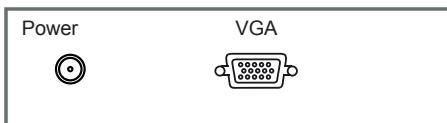


OP-6

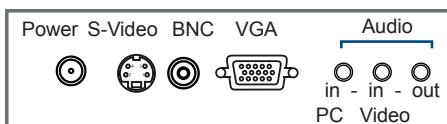


- 6.5" LCD display X 1
- 6ft VGA cable X 1
- Power adapter X 1
- Power cord X 1

Basic I/O

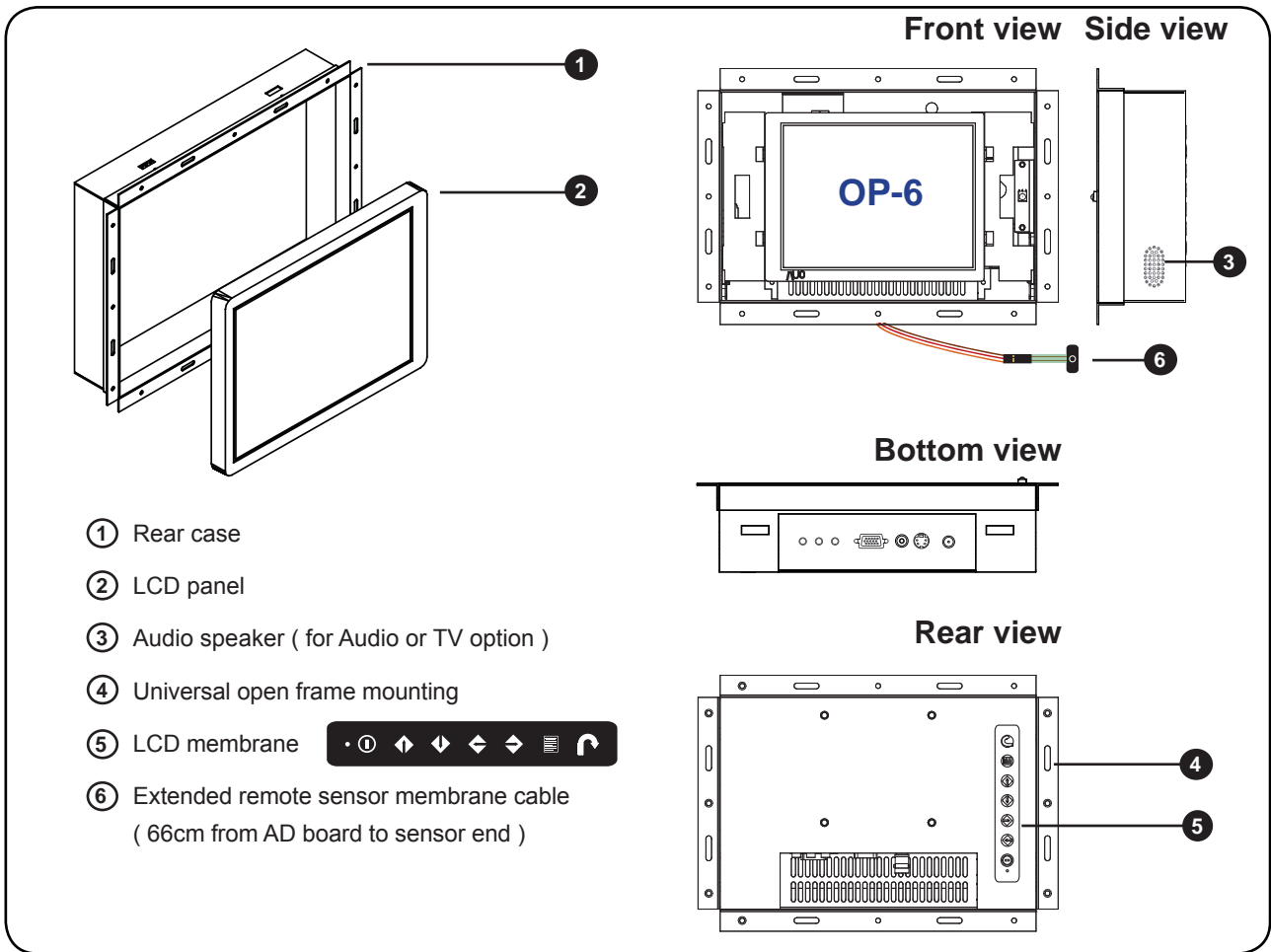


AV1.2 upgrade I/O



- Options : S-Video + BNC, Audio

< 3.2 > Structure Diagram

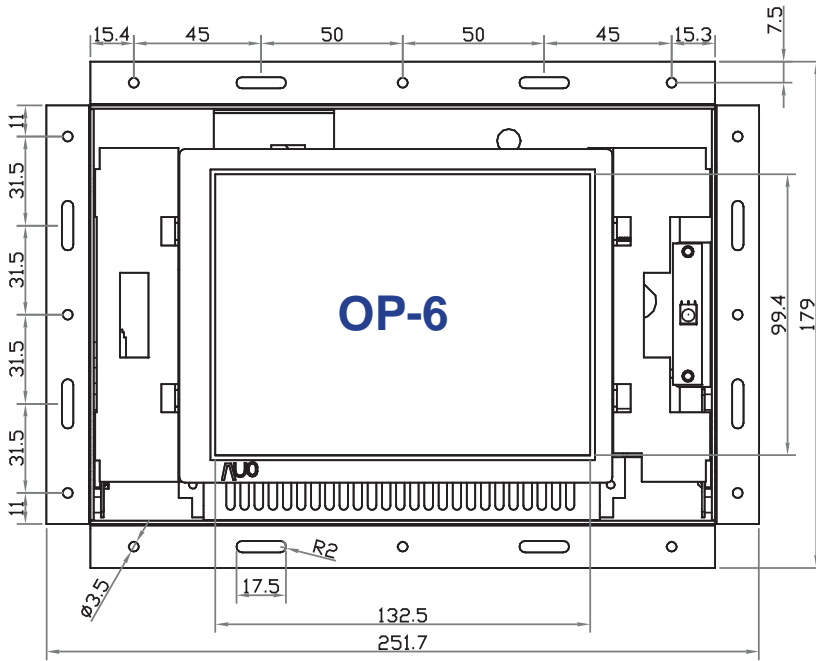


Model	Product Dimension (W x D x H)	Packing Dimension (W x D x H)	Net Weight	Gross Weight
OP-6	251.7 x 61.8 x 179 mm 9.9 x 2.4 x 7 inch	515 x 117 x 429 mm 20.3 x 4.6 x 16.9 inch	1.5 kg 3.3 lb	3.4 kg 7.5 lb

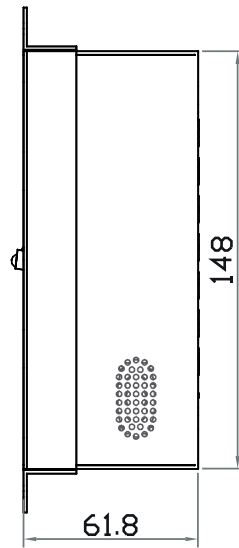
< 3.2 > Dimension

6.5" LCD Display

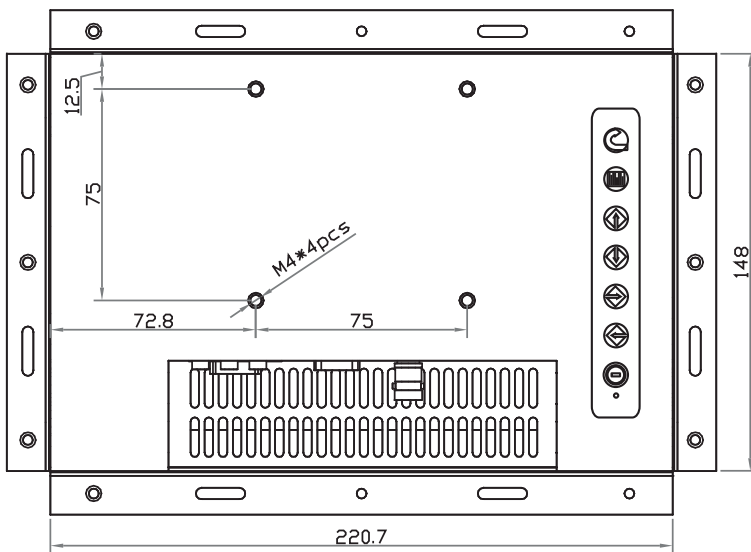
Front View



Side View

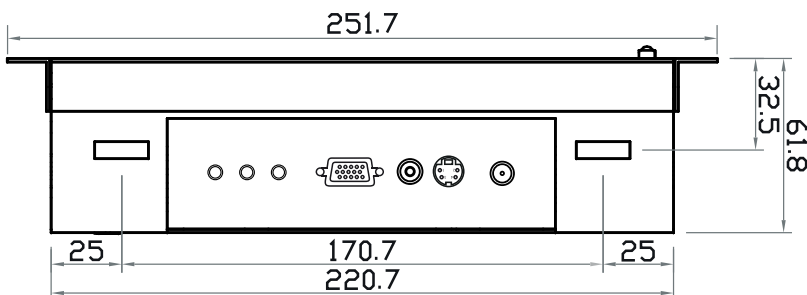


Rear View



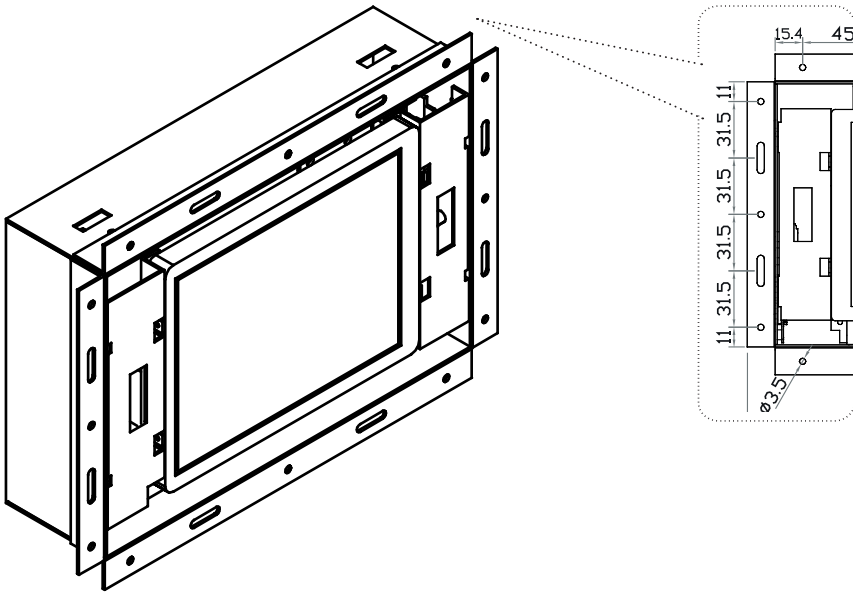
UNIT : mm
1mm = 0.03937 inch

Bottom View

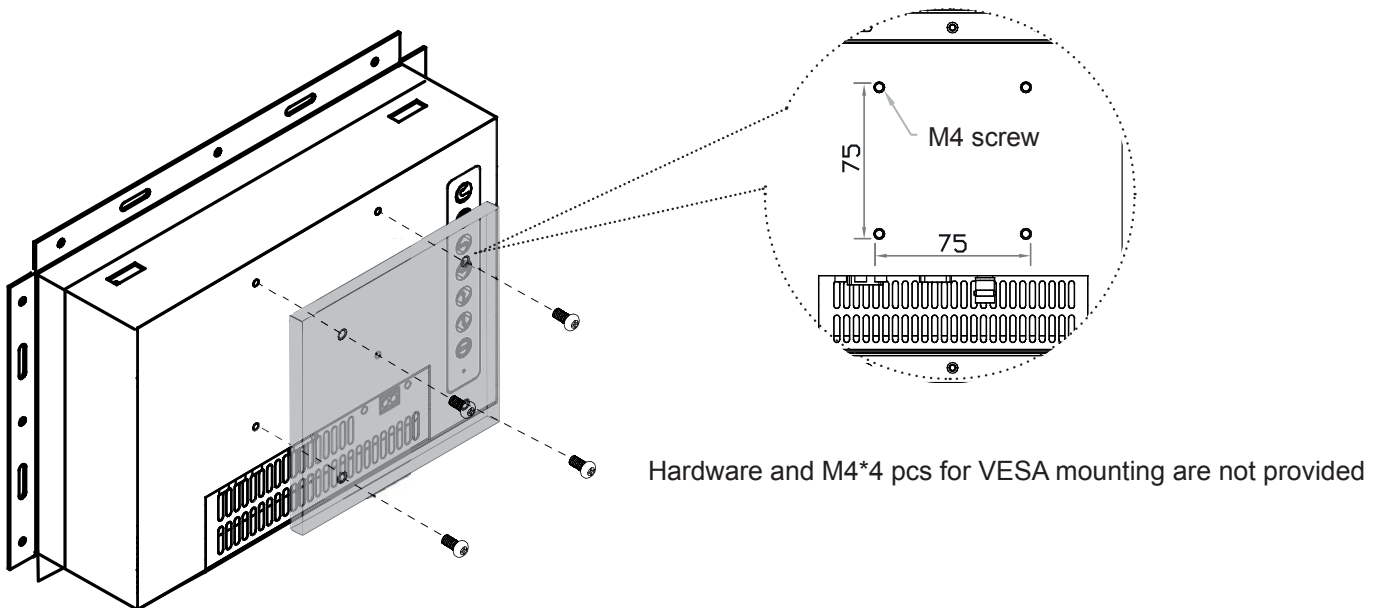


< 3.3 > Installation

(I) Universal mount



(II) VESA mount (75*75mm)



< Part 4 >

< 4.1 > Product Specifications

6.5" LCD Display

Mechanical Design	AP-6	NAP-6	DP-6	OP-6
Protection	6mm front bezel	NEMA 4 / IP65	front cover	open frame
Front Panel	Black, RAL 9005			-
Rear Casing	Black, RAL 9005			
VESA mount	75 x 75 mm			
Universal mount	-	-	-	ready
Desktop stand	option	option	option	-
Panel mount	bundled	-	-	-

LCD Panel	
Panel Size (diagonal)	6.5-inch TFT color LCD
Native resolution	640 x 480
Brightness (cd/m ²)	800
Contrast Ratio (typ.)	600:1
Colors	262 K
Viewing Angle (L/R/U/D)	80/80/70/70
Response Time (ms)	25
Dot pitch (mm)	0.207
Display Area (mm)	132.48H x 99.36V
Surface treatment	Anti-glare Hard-coating
Surface hardness	3H
Backlight Type	LED
MTBF (hrs)	50,000

Video	
VGA	Analog 0.7Vp-p
Option Composite (BNC)	NTSC & PAL
S-Video (4-pin)	NTSC & PAL

Audio Option	
Input Connector	3.5mm stereo jack
Impedance / Power level	30kΩ / 750mV
Output Connector	3.5mm stereo jack
Resistance / Power level	30kΩ / 2.8V
Speaker: Dual Stereo	2W x 2

*When the audio output is connected, speaker output is OFF

Power	
Input	Auto-sensing 100 to 240VAC, 50 / 60Hz
Consumption:	
Screen ON	Max. 14W
Power saving mode	Max. 4W
Power button OFF	Max. 1W

Compliance	
EMC	FCC & CE certified
Safety	CE / LVD certified
Environment	RoHS2 & REACH compliant

< 4.1 > Product Specifications

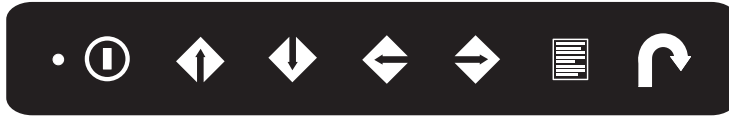
Environmental Conditions		
Operating	Temperature	0 to 55°C degree
	Humidity	20~90%, non-condensing
	Altitude	16,000 ft
Storage / Non-operating	Temperature	-20 to 60°C degree
	Humidity	5~90%, non-condensing
	Altitude	40,000 ft
	Shock	10G acceleration (11ms duration)
	Vibration	10~300Hz 0.5G RMS random vibration

Physical Specification	AP-6	NAP-6	DP-6	OP-6
Product (W x D x H)	254.7 x 67.8 x 182		223.7 x 63.1 x 151	251.7 x 61.8 x 179
	10 x 2.7 x 7.2		8.8 x 2.5 x 5.9	9.9 x 2.4 x 7
inch				
Packing (W x D x H)	515 x 117 x 429		515 x 117 x 429	515 x 117 x 429
	20.3 x 4.6 x 16.9		20.3 x 4.6 x 16.9	20.3 x 4.6 x 16.9
inch				
Net Weight	2.1 kg / 4.6 lb	2.1 kg / 4.6 lb	1.8 kg / 4 lb	1.5 kg / 3.3 lb
Gross Weight	4.1 kg / 9 lb	4.1 kg / 9 lb	3.8 kg / 8.4 lb	3.4 kg / 7.5 lb
Chassis color	dark			
Chassis materials	Aluminum			

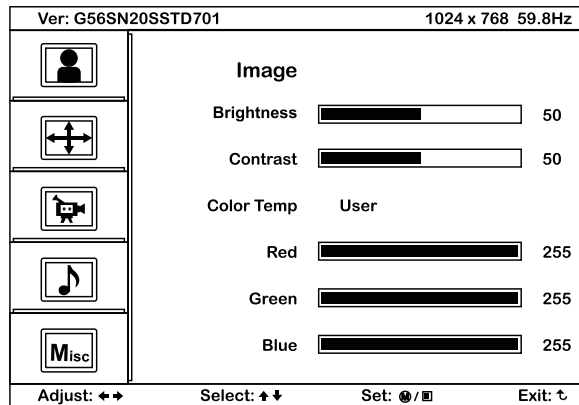
Applicable Format		
VGA Input	PC Signal	640 x 480 x 60 / 72 / 75Hz
		640 x 400 x 70Hz
		640 x 350 x 70Hz
	Audio Signal	2ch Linear PCM

* In some circumstances, if the user connects the LCD to PC via HDMI port for video and audio signals, the LCD may display incorrectly on a full screen. If so, please adjust the display card setting on display size to fix the issue.

- Power light
- Green = On
- Orange = Power saving



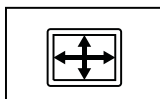
Membrane Switch	Function
	Power on / off LCD
	Display the OSD menu
	Scrolls through menu options and adjusts the displayed control (To auto adjustment by pressing the button for 5 seconds)
	Exit the OSD screen Toggle analog, digital & video connection (DVI-D and video options only)



OSD Configuration Page



Image:
for the brightness, contrast, color temp, red, green, and blue



Geometry:
for the auto adjust, H position, V position, phase and clock



Video:
for the colour, tint, sharpness, noise reduction, DCDi and TV Setup



Audio:
for volume, bass, treble, balance, AVL and mute



Misc:
for the language, OSD position, graphic mode, ratio, reset and timer

< Part 5 > Option

< 5.1 > Option Table

Options	AP / NAP	DP	OP
S-Video + Composite (BNC)	✓	✓	✓
Audio	✓	✓	✓
Touchscreen	✓	✓	✓
DC Power	✓	✓	✓
TV *	✓	✓	✓



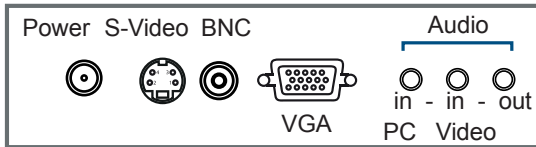
* Remote Controller

- (1) AV1.2 upgrade comes with RC-2 remote controller.
- (2) TV option comes with RC-2 remote controller.

< 5.2 > AV1.2 Upgrade Options :

6.5" LCD Display

- **AV** (S-Video + Composite, BNC)
- **Audio** (Built-in Dual Stereo Speakers, 2W x 2)
(3.5mm audio jacks for audio in & out)



AV1.2 upgrade option comes with RC-2 remote controller x 1 (please refer to P.22)

< 5.3 > Options : Touchscreen & driver

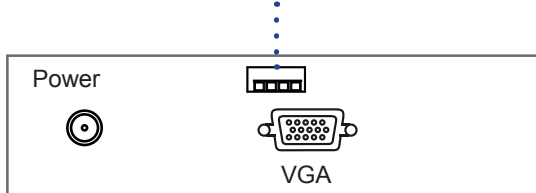


6.5" USB Touchscreen Specification

Model	TRB e-Resistive	TCB e-Capacitive
Technology	5-Wire Resistive	Capacitive
Touch Point	Single	Single
Input Type	Finger or Stylus	Finger
Resolution	2048 x 2048	2048 x 2048
Touch Point Accuracy	-	-
Response Speed	15 ms	20 ms
Activation Force	≤ 50 g	≤ 50 g
Surface Hardness	3H	9H
Light Transmission	80% ± 3%	87% ± 2%
Haze	8% ± 3%	7%
Durability	10 million touches	300 million touches
Top Layer	ITO Film	Glass
Bottom Layer	ITO Glass	
Thickness	1.4 ± 0.2 mm	1.8 mm ± 10%
Connector	USB Type A	USB Type A
Compatibility	Windows 7 / XP / Vista, Linux	

- USB touchscreen package includes 1 x 6ft USB cable, quick reference guideline and CD disc
- For detailed information, please refer to the attached CD disc
- As the touchscreen unit is not made of toughened glass, please handle it carefully

USB Touchscreen





TRB / TCB Driver

Please follow the below steps to setup the touch screen:-

Step 1. Run the bundled CD disc or download the driver from the link below :
<http://www.austin-hughes.com/resources/driver/ultraview>

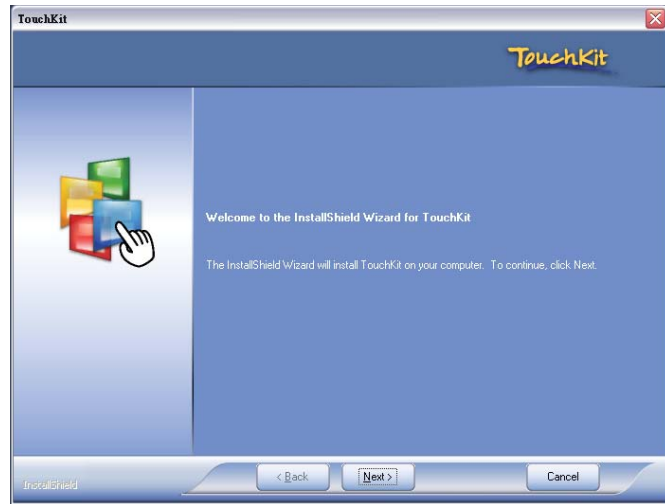
Step 2. Double click the Setup.exe

Step 3. Follow the installation instruction to finish the setup

Step 4. After installation, run the TouchKit program & the “4 point calibration”



Please do the initial calibration after the first setup



< 5.4 > Options : DC Power

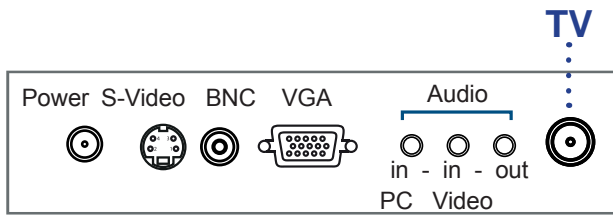
Model	12V	24V	48V
Input rating			
Input voltage:	12-Volt	24-Volt	48-Volt
Input range:	9 ~ 18V	18 ~ 36V	36 ~ 75V
Input current			
- No load	50 mA	50 mA	50 mA
- Full load	4950 mA	2450 mA	1220 mA
Output rating			
Output voltage:	12-Volt	12-Volt	12-Volt
Output current:	4.16A	4.16A	4.16A
Efficiency	84%	85%	85%

*** For DC power option :

(1) If the unit with LCD, **earthing** may be required 

< 5.5 > Options : TV (Analog)

6.5" LCD Display

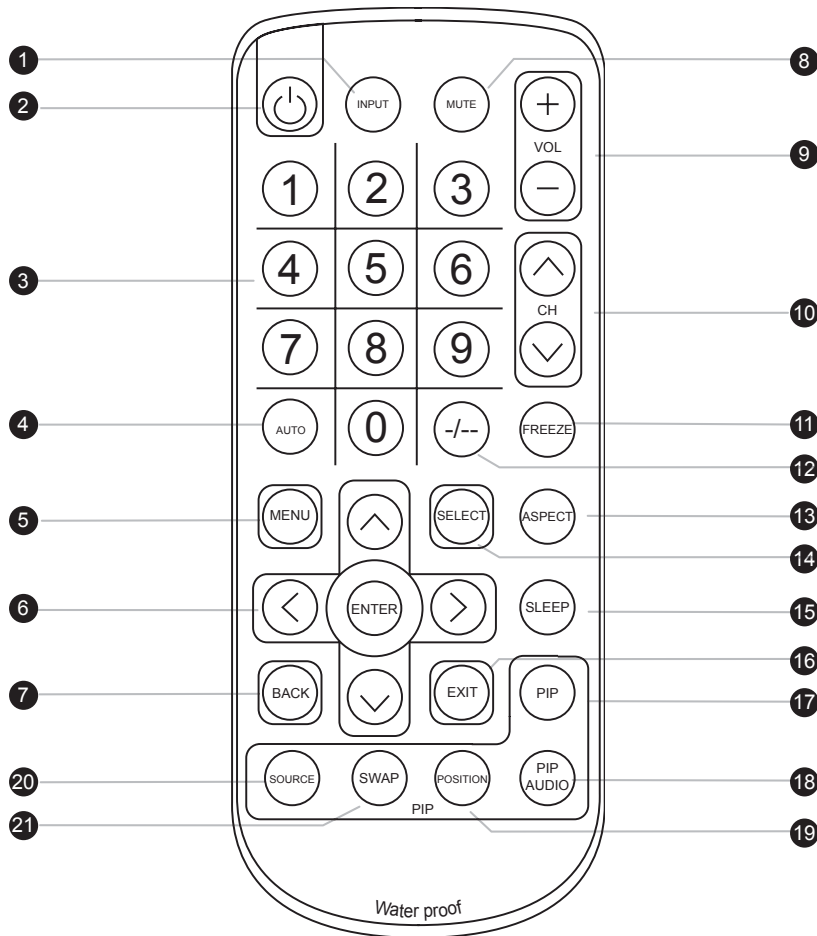


*** For TV option :

(1) 1 x RC-2 remote controller included.

(2) Casing dimensions will be changed.

How to Use RC-2 Remote Controller



①	INPUT	Select the source
②		Switches on or off the TV
③	0 - 9	Only use in TV mode. Select channels. For channel numbers 10 and above, enter the second digit within two seconds.
④	AUTO	Auto adjust
⑤	MENU	Display the menu on the screen or go to the previous menu
⑥	▲ / ▼ / ◀ / ▶ / ENTER	Go to the upper menu or select the previous value / Go to the next menu or select the next value / Decrease the setting value / Increase the setting value or enter to the select item setting Enter to the select item settings or excude the setting
⑦	BACK	Back to previous value
⑧	MUTE	Turn on or off the speaker
⑨	Vol + / -	Increase or decrease the speaker volume
⑩	CH + / -	For TV model only, increase or decrease the channel number
⑪	FREEZE	Reserve for OEM model
⑫	- / --	For setting input single or double digits
⑬	ASPECT	Adjust the screen size
⑭	SELECT	To select the existing item
⑮	SLEEP	Select the sleeping time
⑯	EXIT	Exit the menu or cancel
PIP functions		
⑰	PIP	Picture in picture
⑱	PIP AUDIO	To set the audio of in PIP mode
⑲	POSITION	To set the screen position in PIP mode
⑳	SOURCE	PIP Source
㉑	SWAP	Swap screen in PIP mode

Intentionally Left Blank

The company reserves the right to modify product specifications without prior notice and assumes no responsibility for any error which may appear in this publication.

All brand names, logo and registered trademarks are properties of their respective owners.

Copyright 2018 Austin Hughes Electronics Ltd. All rights reserved.