

## User Manual 15" LCD



### AP-15

Aluminum front bezel



### NAP-15

Front NEMA4 / IP65



### OP-15

Universal Mounting Open Frame

## Legal Information

First English printing, January 2019

Information in this document has been carefully checked for accuracy; however, no guarantee is given to the correctness of the contents. The information in this document is subject to change without notice. We are not liable for any injury or loss that results from the use of this equipment.

## Safety Instructions

**Please read all of these instructions carefully before you use the device. Save this manual for future reference.**

- Unplug equipment before cleaning. Don't use liquid or spray detergent; use a moist cloth.
- Keep equipment away from excessive humidity and heat. Preferably, keep it in an air-conditioned environment with temperatures not exceeding 40° Celsius (104° Fahrenheit).
- When installing, place the equipment on a sturdy, level surface to prevent it from accidentally falling and causing damage to other equipment or injury to persons nearby.
- When the equipment is in an open position, do not cover, block or in any way obstruct the gap between it and the power supply. Proper air convection is necessary to keep it from overheating.
- Arrange the equipment's power cord in such a way that others won't trip or fall over it.
- If you are using a power cord that didn't ship with the equipment, ensure that it is rated for the voltage and current labeled on the equipment's electrical ratings label. The voltage rating on the cord should be higher than the one listed on the equipment's ratings label.
- Observe all precautions and warnings attached to the equipment.
- If you don't intend on using the equipment for a long time, disconnect it from the power outlet to prevent being damaged by transient over-voltage.
- Keep all liquids away from the equipment to minimize the risk of accidental spillage. Liquid spilled on to the power supply or on other hardware may cause damage, fire or electrical shock.
- Only qualified service personnel should open the chassis. Opening it yourself could damage the equipment and invalidate its warranty.
- If any part of the equipment becomes damaged or stops functioning, have it checked by qualified service personnel.

## What the warranty does not cover

- Any product, on which the serial number has been defaced, modified or removed.
- Damage, deterioration or malfunction resulting from:
  - Accident, misuse, neglect, fire, water, lightning, or other acts of nature, unauthorized product modification, or failure to follow instructions supplied with the product.
  - Repair or attempted repair by anyone not authorized by us.
  - Any damage of the product due to shipment.
  - Removal or installation of the product.
  - Causes external to the product, such as electric power fluctuation or failure.
  - Use of supplies or parts not meeting our specifications.
  - Normal wear and tear.
  - Any other causes which does not relate to a product defect.
- Removal, installation, and set-up service charges.

## Regulatory Notices Federal Communications Commission (FCC)

This equipment has been tested and found to comply with the limits for a Class B digital device, pursuant to Part 15 of the FCC rules. These limits are designed to provide reasonable protection against harmful interference in a residential installation.

Any changes or modifications made to this equipment may void the user's authority to operate this equipment. This equipment generates, uses, and can radiate radio frequency energy and, if not installed and used in accordance with the instructions, may cause harmful interference to radio communications.

However, there is no guarantee that interference will not occur in a particular installation. If this equipment does cause harmful interference to radio or television reception, which can be determined by turning the equipment off and on, the user is encouraged to try to correct the interference by one or more of the following measures:

- Re-position or relocate the receiving antenna.
- Increase the separation between the equipment and receiver.
- Connect the equipment into an outlet on a circuit different from that to which the receiver is connected.

# Contents

## < Part. 1 > AP-15 / NAP-15

- |     |                                  |         |
|-----|----------------------------------|---------|
| 1.1 | Package Content                  | P.1     |
| 1.2 | Structure Diagram & Dimension    | P.2 - 3 |
| 1.3 | Mounting Hardware & Installation | P.4     |

## < Part. 2 > DP-15

- |     |                                  |         |
|-----|----------------------------------|---------|
| 2.1 | Package Content                  | P.5     |
| 2.2 | Structure Diagram & Dimension    | P.6 - 7 |
| 2.3 | Mounting Hardware & Installation | P.8     |

## < Part. 3 > OP-15

- |     |                                  |           |
|-----|----------------------------------|-----------|
| 3.1 | Package Content                  | P.9       |
| 3.2 | Structure Diagram & Dimension    | P.10 - 11 |
| 3.3 | Mounting Hardware & Installation | P.12      |

## < Part. 4 > Specifications / OSD

- |     |                                     |           |
|-----|-------------------------------------|-----------|
| 4.1 | Product Specifications              | P.13 - 14 |
| 4.2 | On-screen Display Operation ( OSD ) | P.15      |

## < Part. 5 > Options

- |     |   |           |
|-----|---|-----------|
| 5.1 | Option Table  | P.16      |
| 5.2 | <b>AV2.2</b> Upgrade : S-Video + BNC & Audio  | P.17      |
| 5.3 | Projected Capacitive ( 10-point touch )<br>Resistive / Capacitive ( 1-point touch ) | P.18 - 19 |
| 5.4 | DC Power : 12V / 24V / 48V  | P.20      |
| 5.5 | TV ( Analog )   | P.21 - 22 |

## Before Installation

- It is very important to mount the equipment in a suitable cabinet or on a stable surface.
- Make sure the place has a good ventilation, is out of direct sunlight, away from sources of excessive dust, dirt, heat, water, moisture and vibration.

## Unpacking

The equipment comes with the standard parts shown in package content. Check and make sure they are included and in good condition. If anything is missing, or damaged, contact the supplier immediately.

## How To Clean Your LCD Monitor



### Caution :

- To avoid the risk of electric shock, make sure your hands are dry before unplugging your monitor from or plugging your monitor into an electrical outlet.
- When you clean your monitor, do not press down on the LCD screen. Pressing down on the screen can scratch or damage your display. Pressure damage is not covered under warranty.
- Use only cleansers made specifically for cleaning monitors and monitor screens. Cleansers not made to clean monitors and monitor screens can scratch the LCD display or strip off the finish.
- Do not spray any kind of liquid directly onto the screen or case of your monitor. Spraying liquids directly onto the screen or case can cause damage which is not covered under warranty.
- Do not use paper towels or abrasive pads to clean your monitor. Using an abrasive pad or any wood based paper product such as paper towels can scratch your LCD screen.

## Cleaning Your Monitor

To clean your LCD safely, please follow these steps :

- ① Disconnect the power cord.
- ② Gently wipe the surface using a clean, dry microfiber cloth. Use as little pressure as possible.

## Cleaning Tough Marks and Smudges

To remove tough marks and smudges, please follow these steps :

- ① Disconnect the power cord.
- ② Spray a small amount of non-abrasive cleanser on a microfiber cloth.



**Caution : Do not spray or apply any liquids directly onto the monitor. Always apply the solution to your microfiber cloth first, not directly on the parts you are cleaning.**

- ③ Gently wipe the surface. Use as little pressure as possible.
- ④ Wait until your monitor is completely dry before plugging it in and powering it up.

**AP-15 / NAP-15**



**15" LCD display X 1**

**6ft VGA cable X 1**

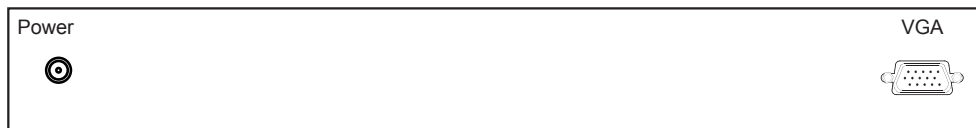
**Power adapter X 1**

**Power cord X 1**

**Mounting hardware X 1 pack**

- Mounting bracket x 2 pcs
- M4\* 6mm screw x 4 pcs
- M4\* 50mm screw x 4 pcs

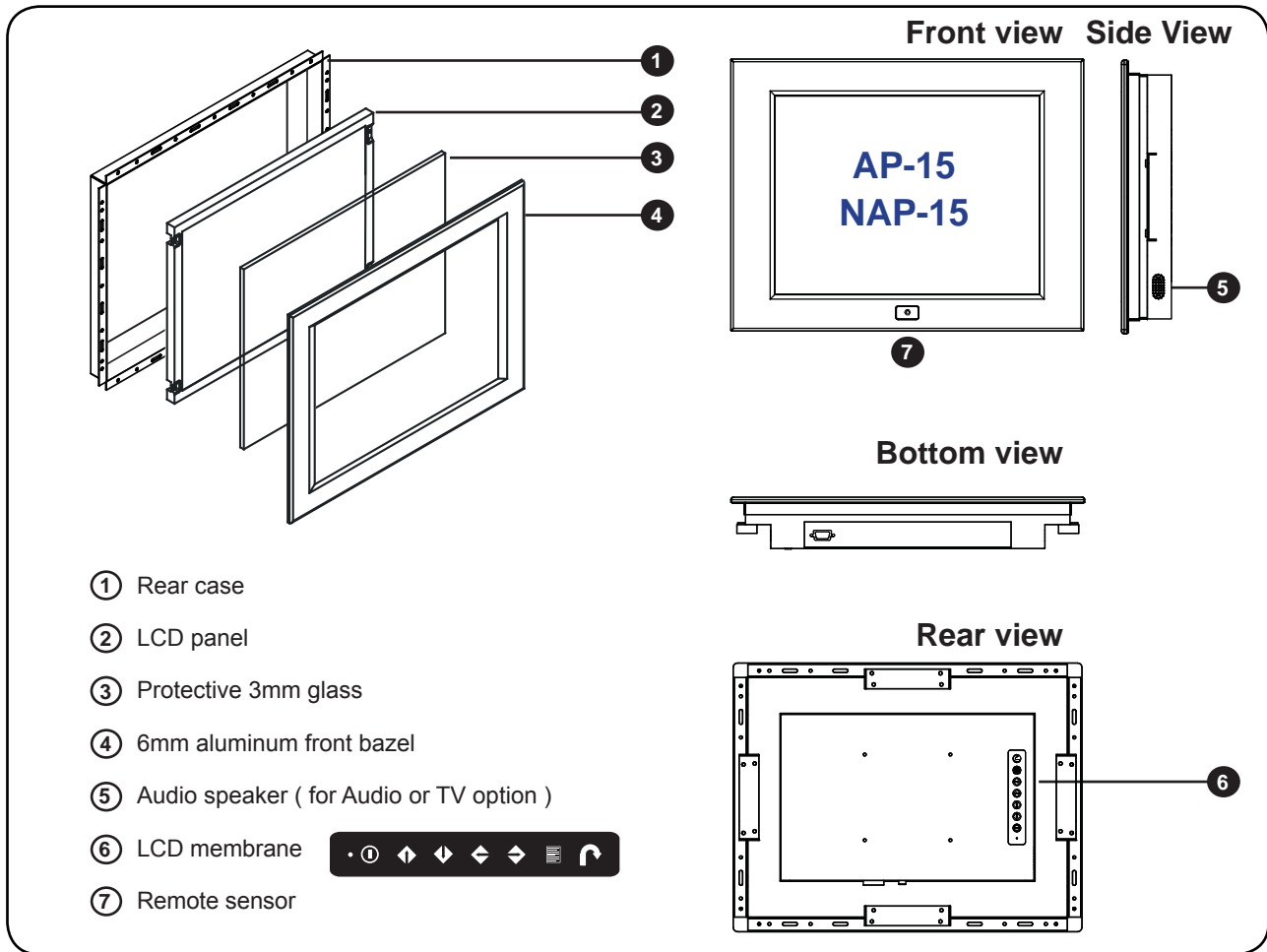
**Basic I/O**



**AV2.2 upgrade I/O**



## < 1.2 > Structure Diagram

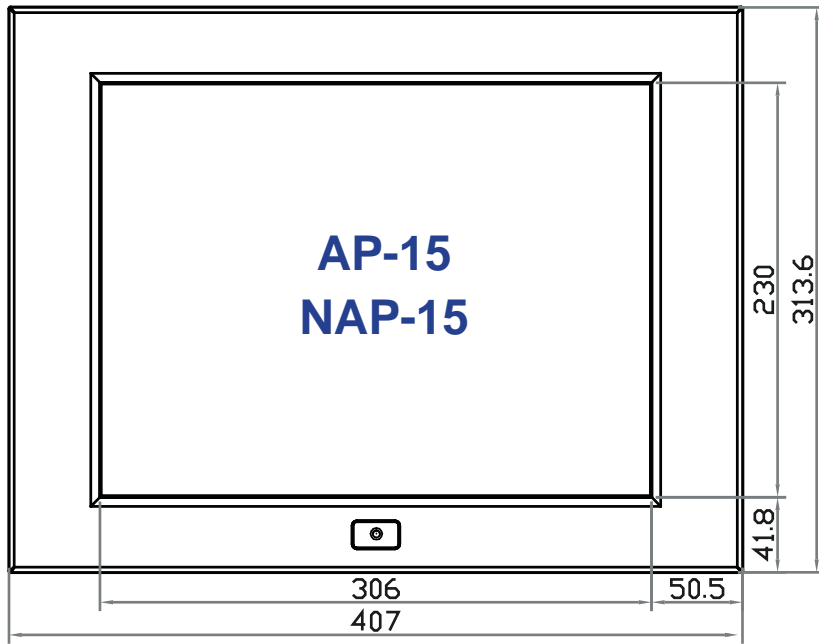


Model	Product Dimension (W x D x H)	Packing Dimension (W x D x H)	Net Weight	Gross Weight
<b>AP-15</b> <b>NAP-15</b>	407 x 59.1 x 313.6 mm 16 x 2.3 x 12.3 inch	615 x 113 x 523 mm 24.2 x 4.4 x 20.6 inch	4.7 kg 10.3 lb	7.3 kg 16.1 lb

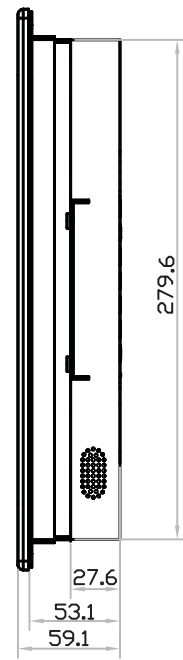
< 1.2 > Dimension

15" LCD Display

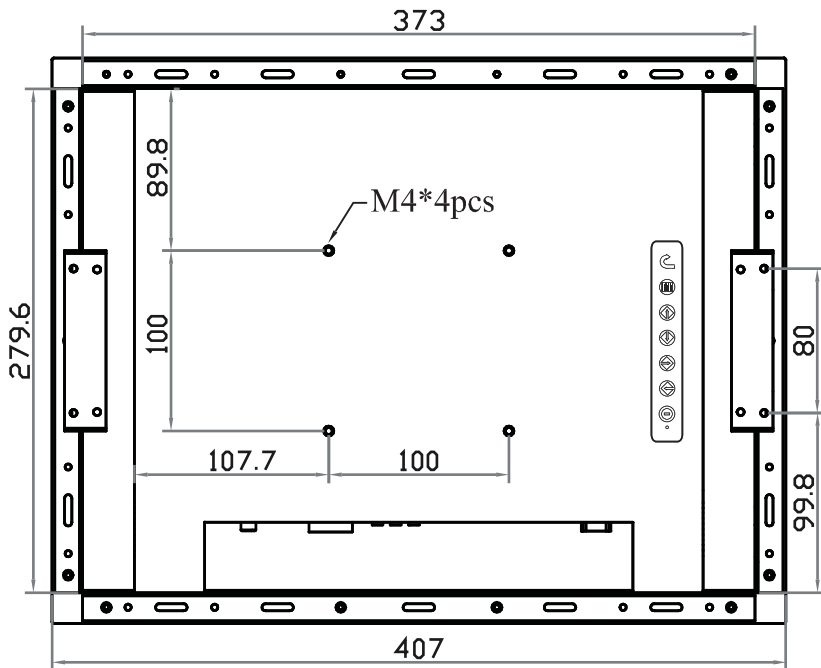
Front View



Side View

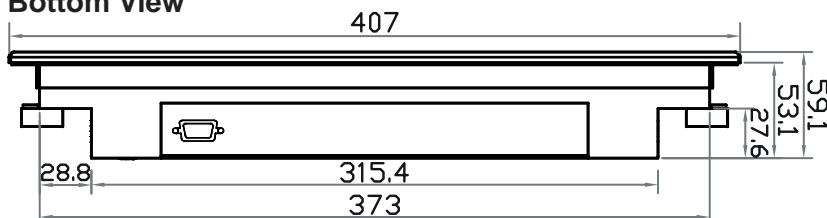


Rear View



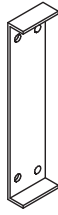
UNIT : mm  
1mm = 0.03937 inch

Bottom View



## < 1.3 > Installation ( I ) Panel mount

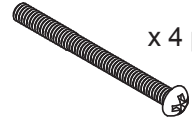
- ① Mounting bracket  
x 2 pcs



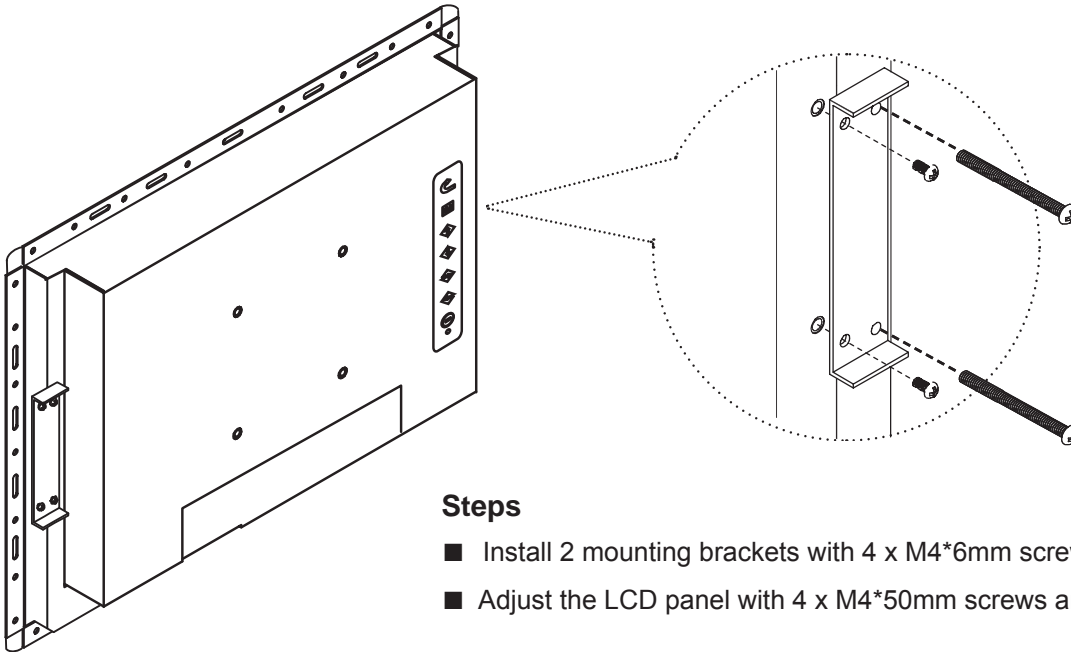
- ② M4\*6mm screw  
x 4 pcs



- ③ M4\*50mm screw  
x 4 pcs



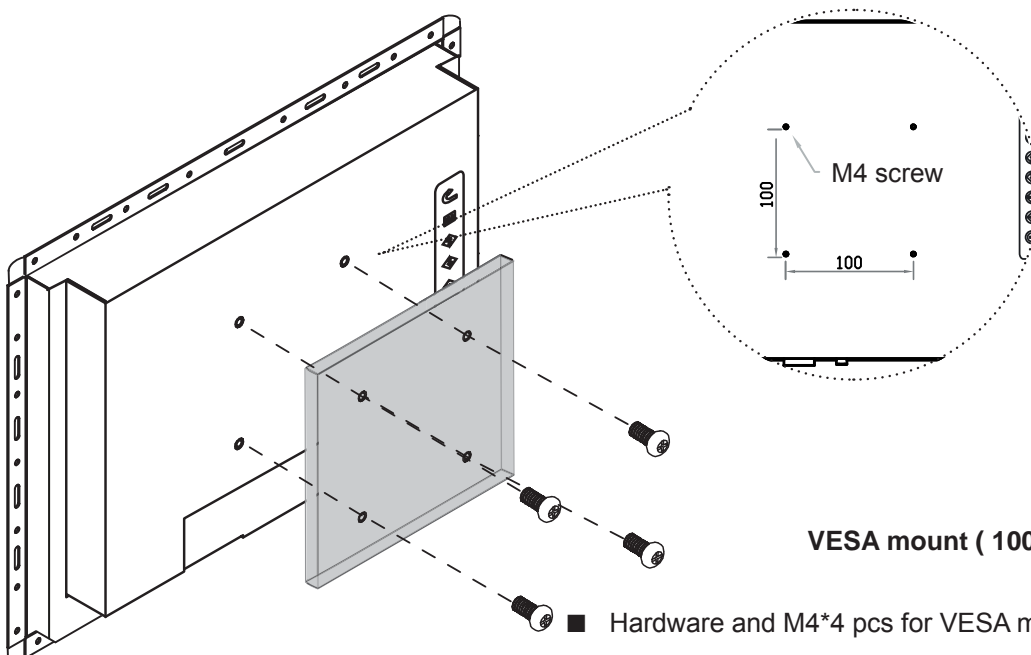
Hardware set part no. UV-BK#1



### Steps

- Install 2 mounting brackets with 4 x M4\*6mm screws
- Adjust the LCD panel with 4 x M4\*50mm screws and fix it on the surface.

## ( II ) VESA mount ( 100\*100mm )



VESA mount ( 100\*100mm )

- Hardware and M4\*4 pcs for VESA mount are not provided



**DP-15**

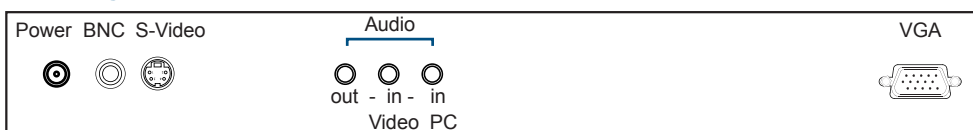


- 15" LCD display X 1
- 6ft VGA cable X 1
- Power adapter X 1
- Power cord X 1

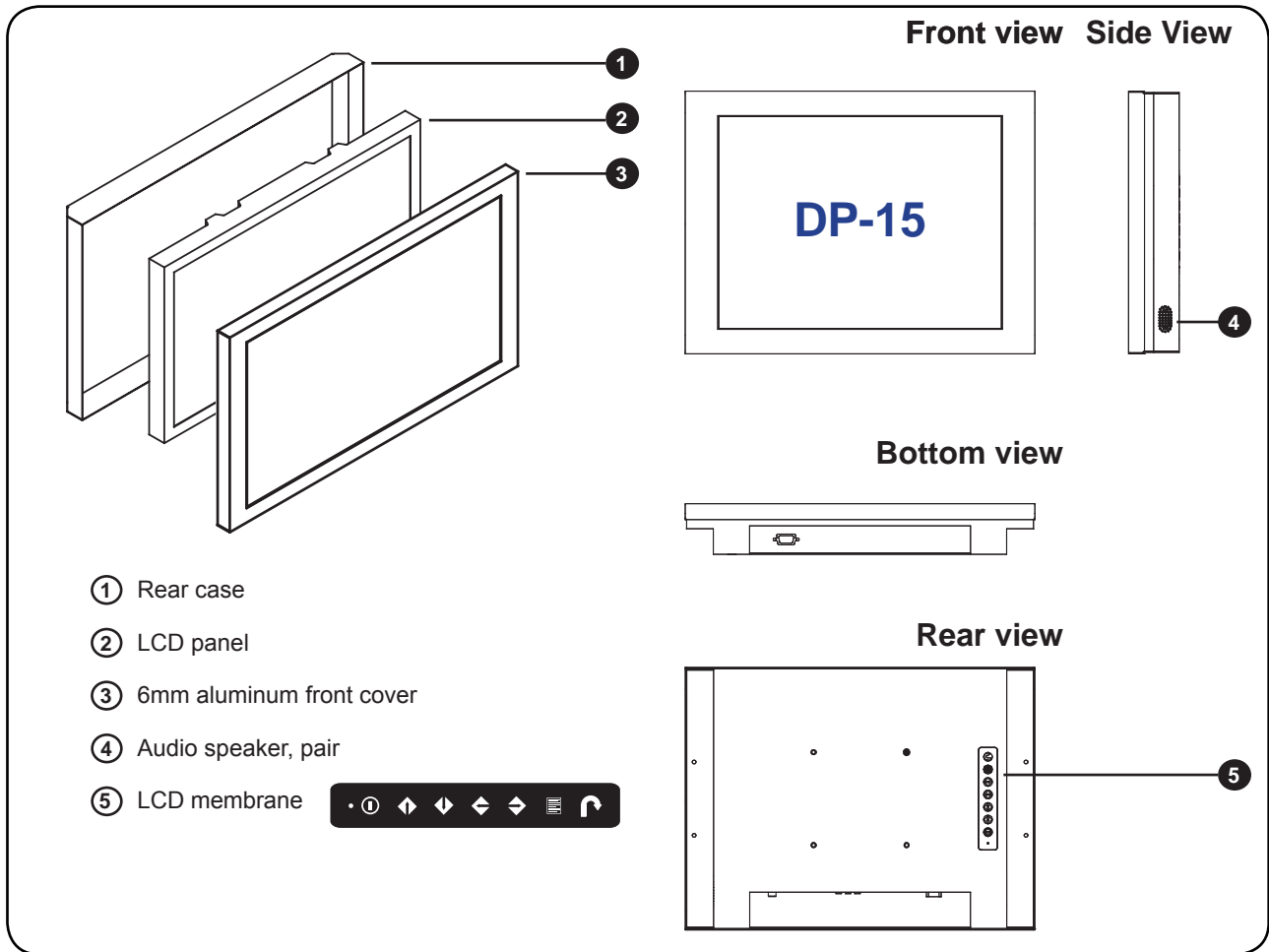
**Basic I/O**



**AV2.2 upgrade I/O**



## < 2.2 > Structure Diagram

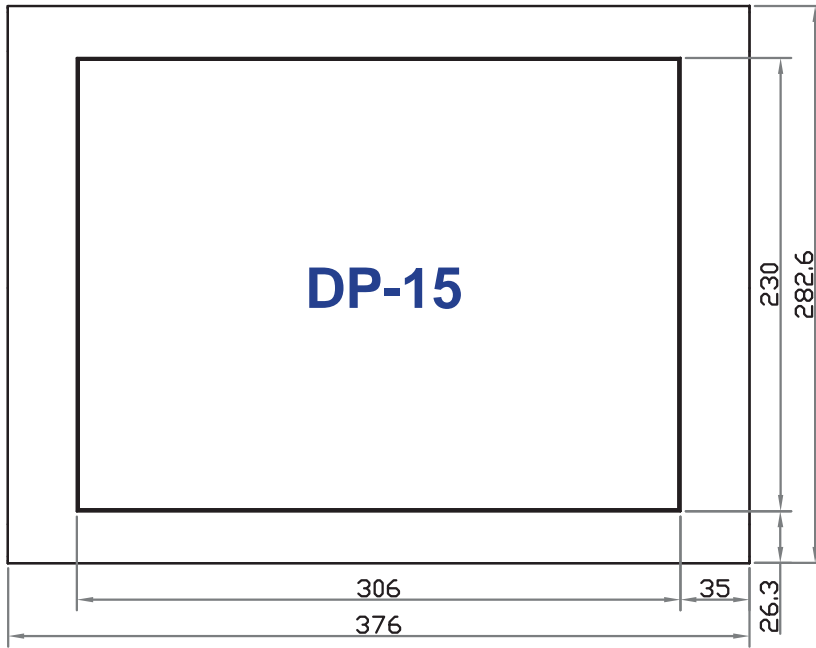


Model	Product Dimension (W x D x H)	Packing Dimension (W x D x H)	Net Weight	Gross Weight
DP-15	376 x 54.4 x 282.6 mm 14.8 x 2.1 x 11.1 inch	615 x 113 x 523 mm 24.2 x 4.4 x 20.6 inch	4.1 kg 9 lb	6.7 kg 14.7 lb

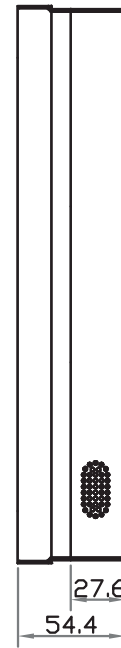
< 2.2 > Dimension

15" LCD Display

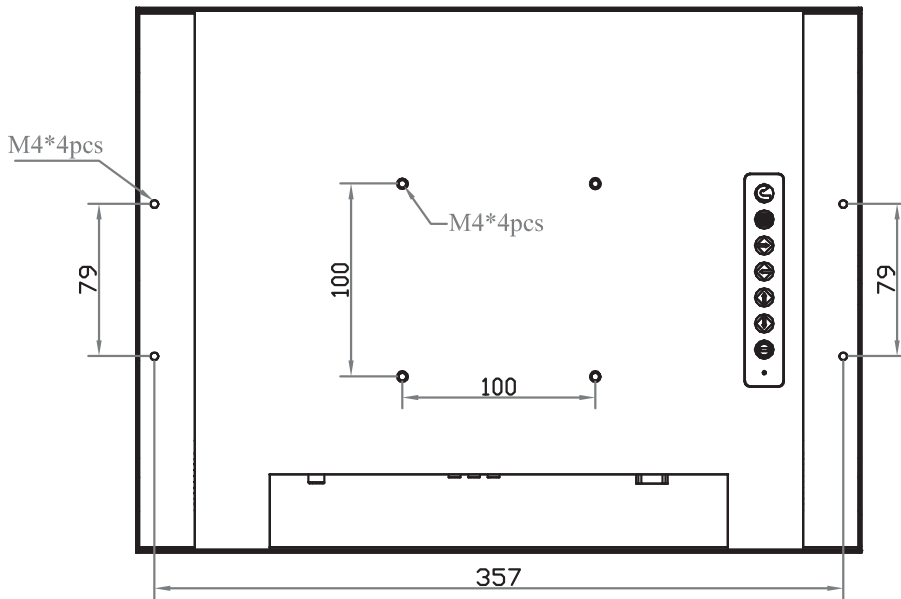
Front View



Side View

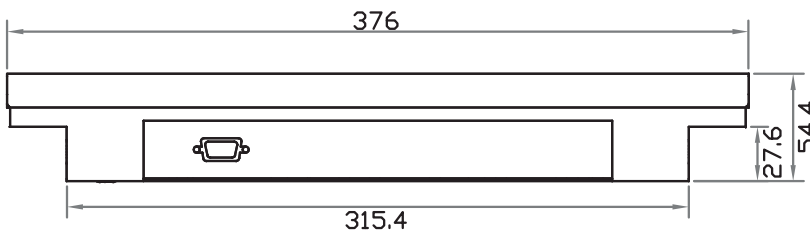


Rear View

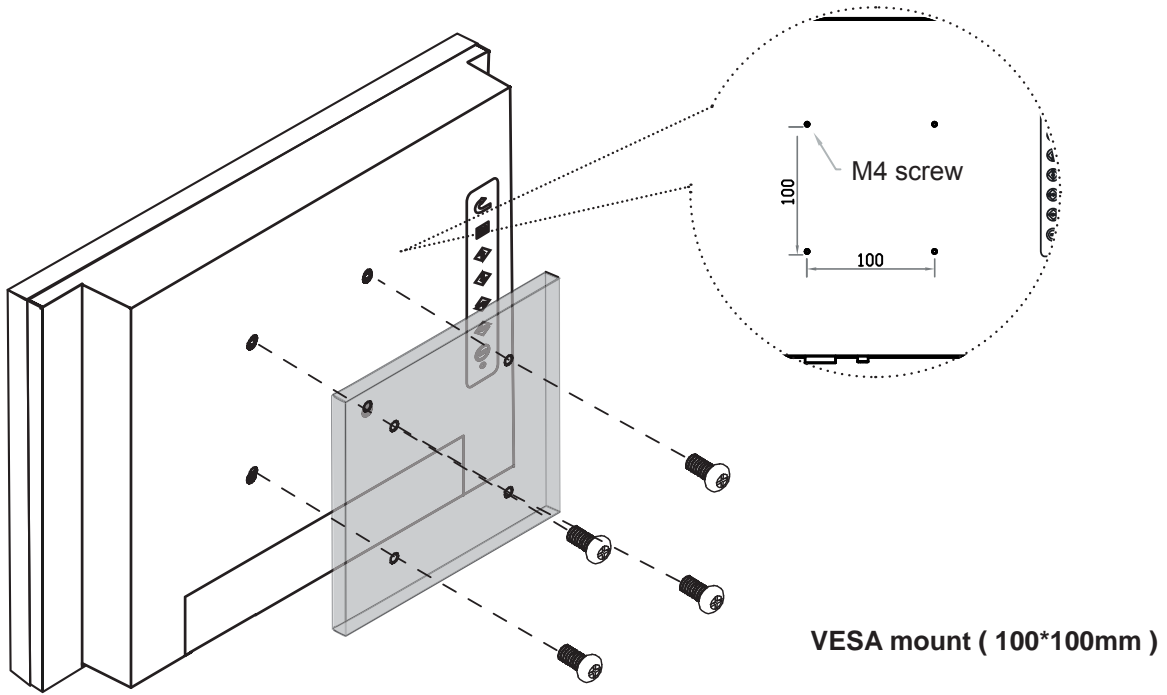


UNIT : mm  
1mm = 0.03937 inch

Bottom View



## < 2.3 > VESA mount Installation



■ Hardware and M4\*4 pcs for VESA mount are not provided

**OP-15**

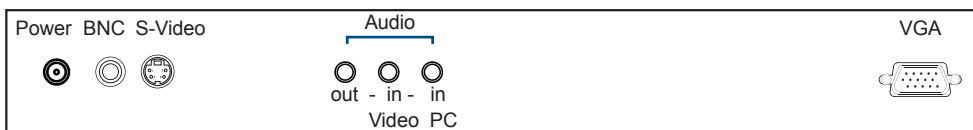


- 15" LCD display X 1
- 6ft VGA cable X 1
- Power adapter X 1
- Power cord X 1

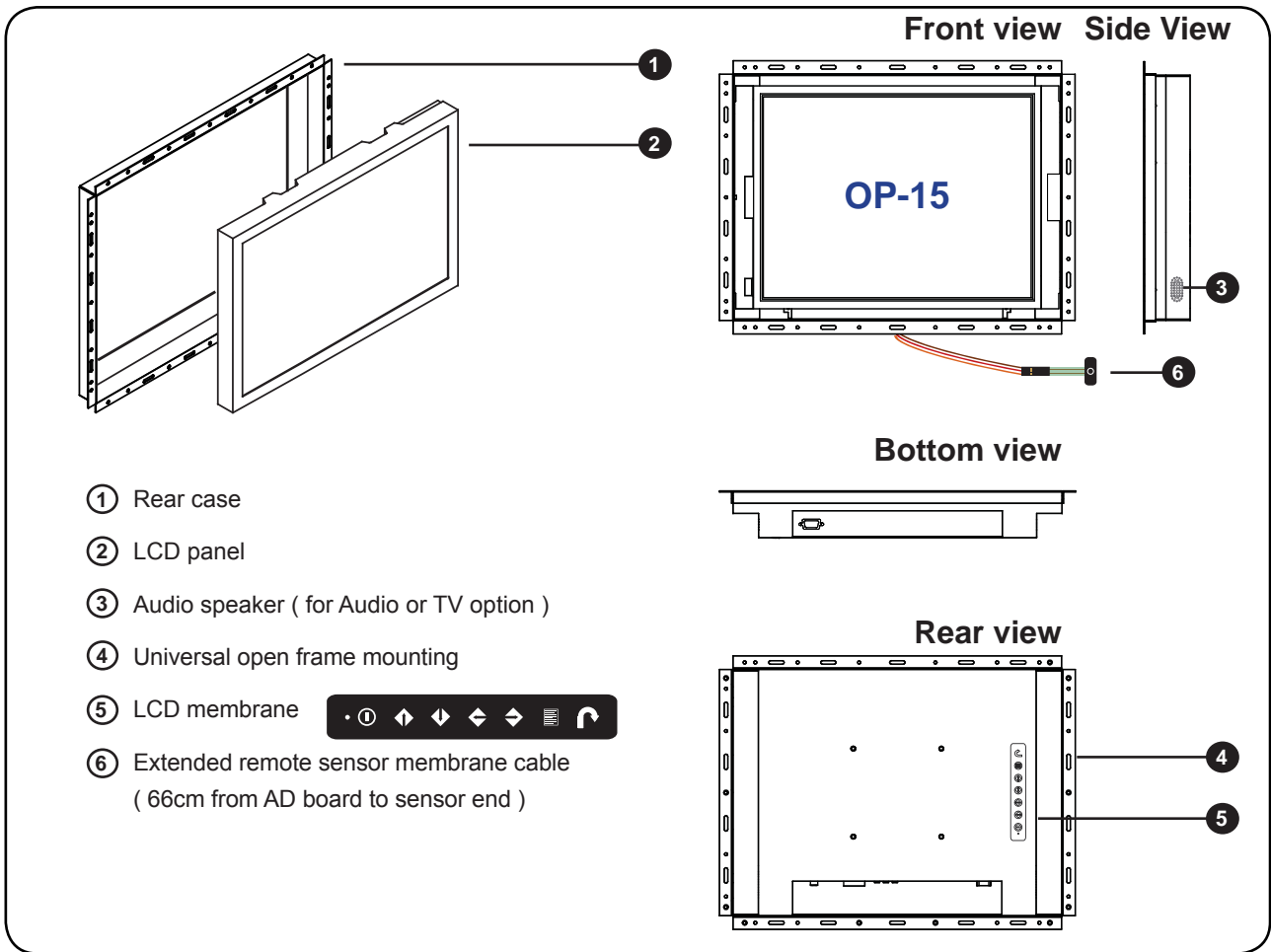
**Basic I/O**



**AV2.2 upgrade I/O**



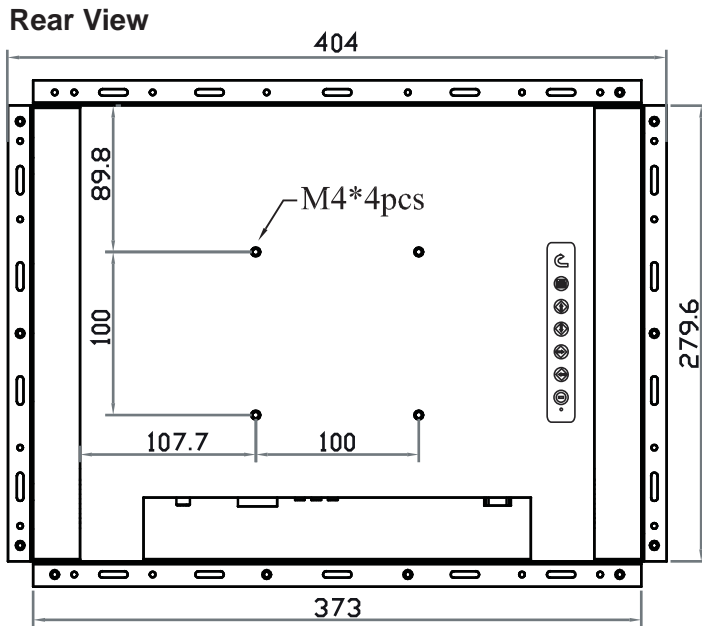
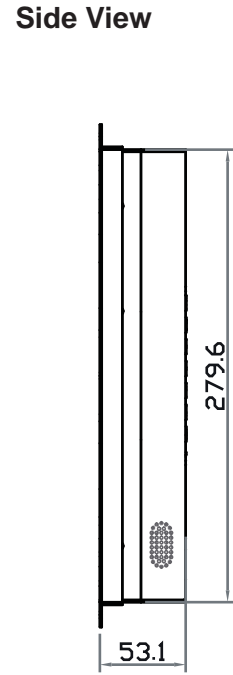
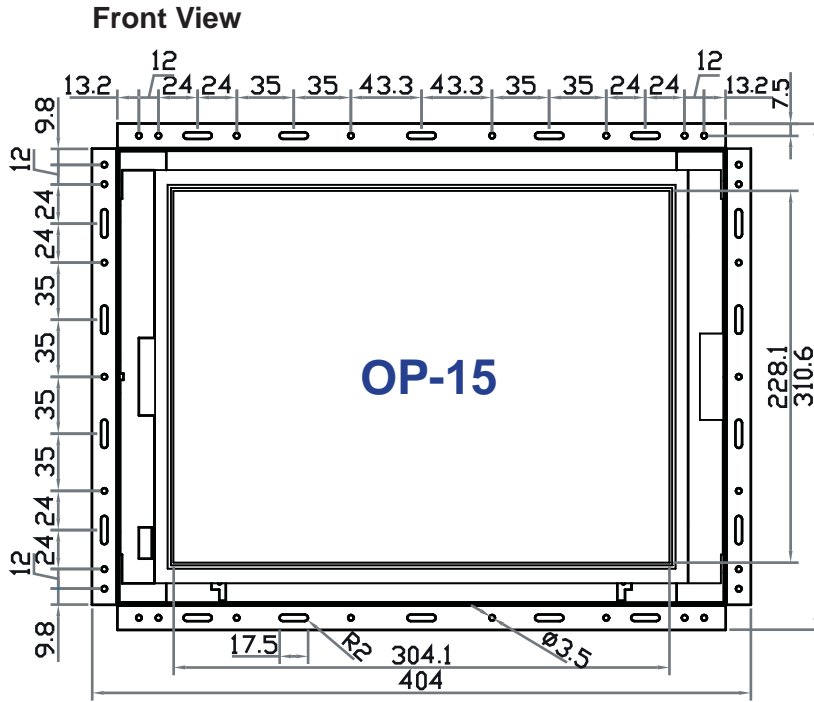
## < 3.2 > Structure Diagram



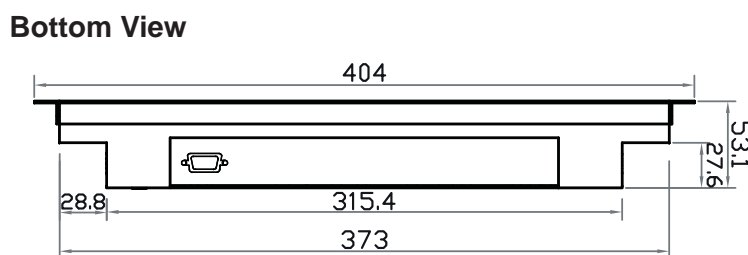
Model	Product Dimension (W x D x H)	Packing Dimension (W x D x H)	Net Weight	Gross Weight
OP-15	404 x 53.1 x 310.6 mm 15.9 x 2.1 x 12.2 inch	615 x 113 x 523 mm 24.2 x 4.4 x 20.6 inch	3.5 kg 7.7 lb	6.1 kg 13.4 lb

< 3.2 > Dimension

15" LCD Display

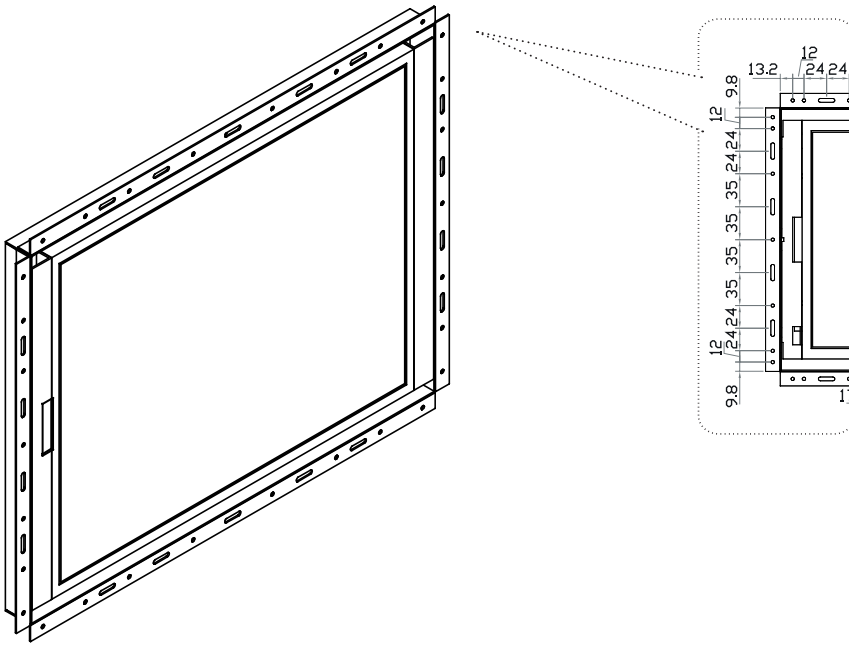


UNIT : mm  
1mm = 0.03937 inch

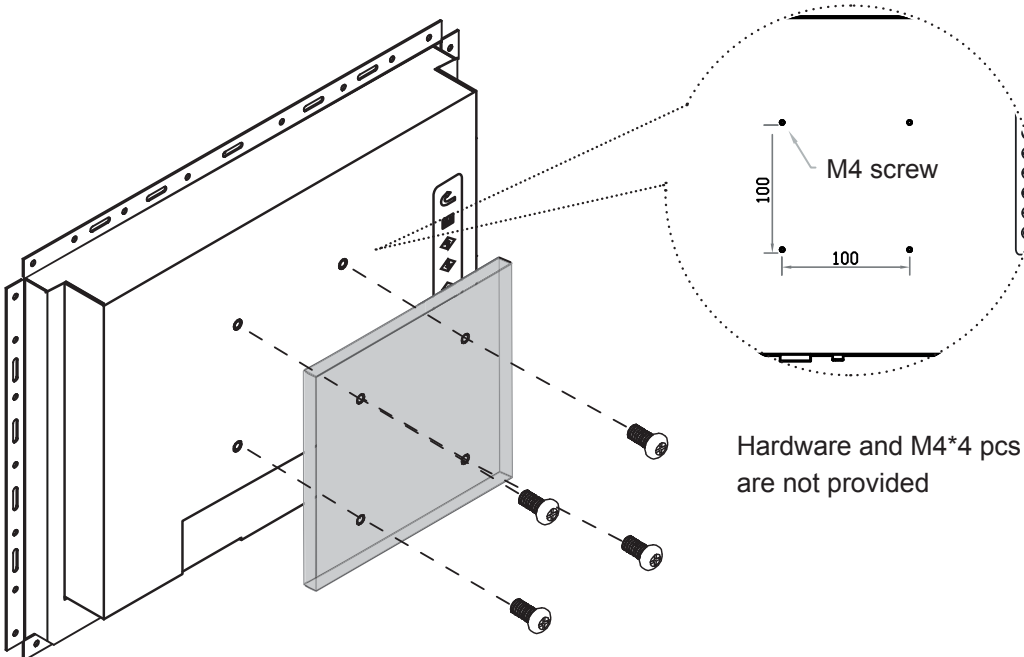


## < 3.3 > Installation

### ( I ) Universal mount



### ( II ) VESA mount ( 100\*100mm )





## < Part 4 >

### < 4.1 > Product Specifications

### 15" LCD Display

Mechanical Design	AP-15	NAP-15	DP-15	OP-15
Protection	6mm front bezel	NEMA 4 / IP65	front cover	open frame
Front Panel	Black, RAL 9005			-
Rear Casing	Black, RAL 9005			
VESA mount	100 x 100 mm			
Universal mount	-	-	-	ready
Desktop stand	option		option	-
Panel mount	bundled		-	-

LCD Panel	
Panel Size ( diagonal )	15-inch TFT color LCD
Native resolution	1024 x 768
Brightness ( cd/m <sup>2</sup> )	350
Contrast Ratio ( typ. )	800:1
Colors	16.2 M
Viewing Angle ( L/R/U/D )	80/80/70/80
Response Time ( ms )	8
Dot pitch ( mm )	0.297
Display Area ( mm )	304.128H x 228.096V
Surface treatment	Haze 25%
Surface hardness	3H
Backlight Type	CCFL
MTBF ( hrs )	50,000

Video	
VGA	Analog 0.7Vp-p
Option Composite ( BNC )	NTSC & PAL
S-Video ( 4-pin )	NTSC & PAL
DVI	DVI-D single link
HDMI	HDMI 1.2 / HDCP 1.1

Audio Option	
Input Connector	3.5mm stereo jack
Impedance / Power level	30kΩ / 750mV
Output Connector	3.5mm stereo jack
Resistance / Power level	30kΩ / 2.8V
Speaker: Dual Stereo	2W x 2

\*When the audio output is connected, speaker output is OFF

Power	
Input	Auto-sensing 100 to 240VAC, 50 / 60Hz
Consumption:	
Screen ON	Max. 22W
Power saving mode	Max. 4W
Power button OFF	Max. 1W

Compliance	
EMC	FCC & CE certified
Safety	CE / LVD certified
Environment	RoHS2 & REACH compliant

## < 4.1 > Product Specifications

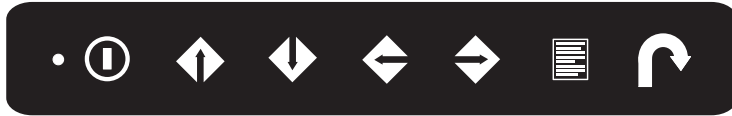
Environmental Conditions		
Operating	Temperature	0 to 55°C degree
	Humidity	20~90%, non-condensing
	Altitude	16,000 ft
Storage / Non-operating	Temperature	-20 to 60°C degree
	Humidity	5~90%, non-condensing
	Altitude	40,000 ft
	Shock	10G acceleration ( 11ms duration )
	Vibration	10~300Hz 0.5G RMS random vibration

Physical Specification	AP-15	NAP-15	DP-15	OP-15
Product ( W x D x H )	407 x 59.1 x 313.6		376 x 54.4 x 282.6	404 x 53.1 x 310.6
	16 x 2.3 x 12.3		14.8 x 2.1 x 11.1	15.9 x 2.1 x 12.2
	inch			
Packing ( W x D x H )	615 x 113 x 523		615 x 113 x 523	615 x 113 x 523
	24.2 x 4.4 x 20.6		24.2 x 4.4 x 20.6	24.2 x 4.4 x 20.6
	inch			
Net Weight	4.7 kg / 10.3 lb	4.7 kg / 10.3 lb	4.1 kg / 9 lb	3.5 kg / 7.7 lb
Gross Weight	7.3 kg / 16.1 lb	7.3 kg / 16.1 lb	6.7 kg / 14.7 lb	6.1 kg / 13.4 lb
Chassis color	Dark			
Chassis materials	Aluminum			

Applicable Format		
DVID / VGA Input	PC Signal	1024 x 768 x 60 / 70 / 75Hz
		848 x 480 x 60Hz
		800 x 600 x 60 / 72 / 75Hz
		720 x 400 x 70Hz
		640 x 480 x 60 / 72 / 75Hz
		640 x 400 x 70Hz
		640 x 350 x 70Hz
	Audio Signal	2ch Linear PCM
HDMI Input	PC signal	Same as VGA
	HDMI 1.2	720 x 480 x 50 / 60Hz ( 576p / 480p )
	Audio Signal	2ch Linear PCM

\* In some circumstances, if the user connects the LCD to PC via HDMI port for video and audio signals, the LCD may display incorrectly on a full screen. If so, please adjust the display card setting on display size to fix the issue.

- Power light
- Green = On
- Orange = Power saving



Membrane Switch	Function
	Power on / off LCD
	Display the OSD menu
	Scrolls through menu options and adjusts the displayed control (To auto adjustment by pressing the button  for 5 seconds)
	Exit the OSD screen Toggle analog, digital & video connection (DVI-D and video options only)

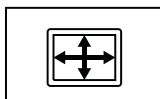
Ver: G56SN20SSTD701 1024 x 768 59.8Hz

	<b>Image</b>
	Brightness <input type="range" value="50"/> 50
	Contrast <input type="range" value="50"/> 50
	Color Temp User
	Red <input type="range" value="255"/> 255
	Green <input type="range" value="255"/> 255
	Blue <input type="range" value="255"/> 255
Adjust: ←→    Select: ↑↓    Set: ●/■    Exit: ↶	

**OSD Configuration Page**



**Image:**  
for the brightness, contrast, color temp, red, green, and blue



**Geometry:**  
for the auto adjust, H position, V position, phase and clock



**Video:**  
for the colour, tint, sharpness, noise reduction, DCDi and TV Setup



**Audio:**  
for volume, bass, treble, balance, AVL and mute



**Misc:**  
for the language, OSD position, graphic mode, ratio, reset and timer

## < Part 5 > Option

### < 5.1 > Option Table

Options	AP / NAP	DP	OP
S-Video + Composite ( BNC )	✓	✓	✓
DVI-D	✓	✓	✓
Audio	✓	✓	✓
Touchscreen	✓	✓	✓
DC Power	✓	✓	✓
TV *	✓	✓	✓



**\* Remote Controller**

**( 1 ) AV2.2 upgrade comes with RC-2 remote controller.**

**( 2 ) TV option comes with RC-2 remote controller.**

## < 5.2 > AV2.2 Upgrade Options :

15" LCD Display

- **DVI-D** ( DVI-D TMDS single link )
- **AV** ( S-Video + Composite, BNC )
- **Audio** ( Built-in Dual Stereo Speakers, 2W x 2 )  
( 3.5mm audio jacks for audio in & out )



\*\*\*

**AV2.2 upgrade option comes with RC-2 remote controller x 1** ( please refer to P.22 )

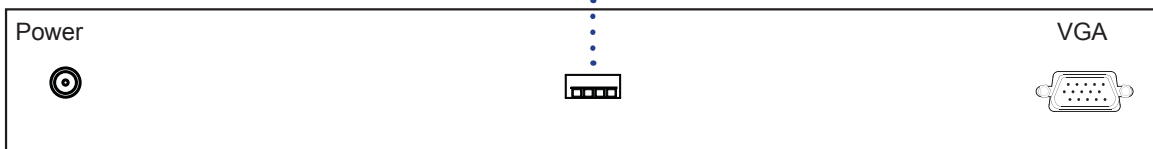


15" USB Touchscreen Specification

Model	TPC-10 Multi-touch	TRB e-Resistive	TCB e-Capacitive
Technology	Projected Capacitive	5-Wire Resistive	Capacitive
Touch Point	10	Single	Single
Input Type	Finger or Capacitive Stylus	Finger or Stylus	Finger
Resolution	2048 x 2048	2048 x 2048	2048 x 2048
Touch Point Accuracy	± 10 mm offset	-	-
Response Speed	Max. 20 ms	15 ms	20 ms
Activation Force	≤ 10 g	≤ 50 g	≤ 50 g
Surface Hardness	7H	3H	9H
Light Transmission	≥ 88%	80% ± 3%	92% ± 2%
Haze	≤ 2%	8% ± 3%	7%
Durability	> 100 million touches	10 million touches	300 million touches
Top Layer	1.8 mm Tempered Glass	ITO Film	Glass
Bottom Layer	Film	ITO Glass	
Thickness	2.2 mm	2.2 ± 0.2 mm	2.8 mm ± 10%
Connector	USB Type A	USB Type A	USB Type A
Compatibility	Windows 7	Windows 7 / XP / Vista, Linux	

- Dimension will be changed if Multi-touch required
- USB touchscreen package includes 1 x 6ft USB cable, quick reference guideline and CD disc
- For detailed information, please refer to the attached CD disc
- As the touchscreen unit is not made of toughened glass, please handle it carefully

USB Touchscreen





### TPC-10 Driver



Connect the USB cable from the USB port on the LCD to a computer. The touch screen supports easy Plug-and-Play operations. There is no need to install additional drivers on the computer.

### TRB / TCB Driver

**Please follow the below steps to setup the touch screen:-**

**Step 1.** Run the bundled CD disc or download the driver from the link below :  
<http://www.austin-hughes.com/resources/driver/ultraview>

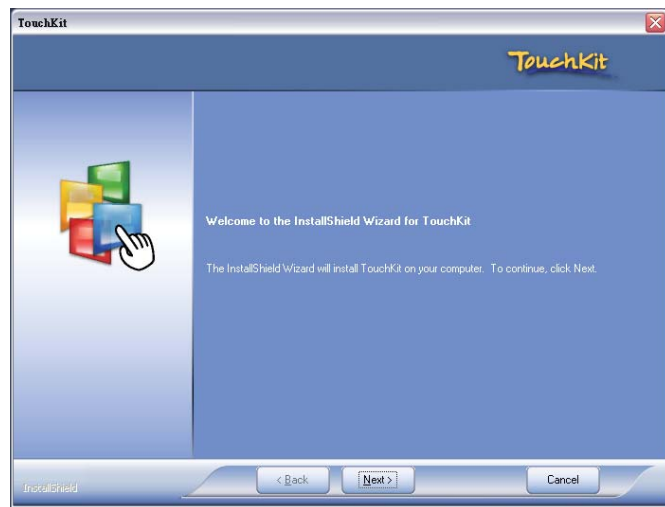
**Step 2.** Double click the Setup.exe

**Step 3.** Follow the installation instruction to finish the setup

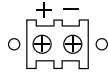
**Step 4.** After installation, run the TouchKit program & the “4 point calibration”



Please do the initial calibration after the first setup



## < 5.4 > Options : DC Power



Model	12V	24V	48V
<b>Input rating</b>			
Input voltage:	12-Volt	24-Volt	48-Volt
Input range:	9 ~ 18V	18 ~ 36V	36 ~ 75V
Input current			
- No load	50 mA	50 mA	50 mA
- Full load	4950 mA	2450 mA	1220 mA
<b>Output rating</b>			
Output voltage:	12-Volt	12-Volt	12-Volt
Output current:	4.16A	4.16A	4.16A
<b>Efficiency</b>	84%	85%	85%

\*\*\* For DC power option :

( 1 ) If the unit with LCD, earthing may be required 



## < 5.5 > Options : TV ( Analog )

15" LCD Display

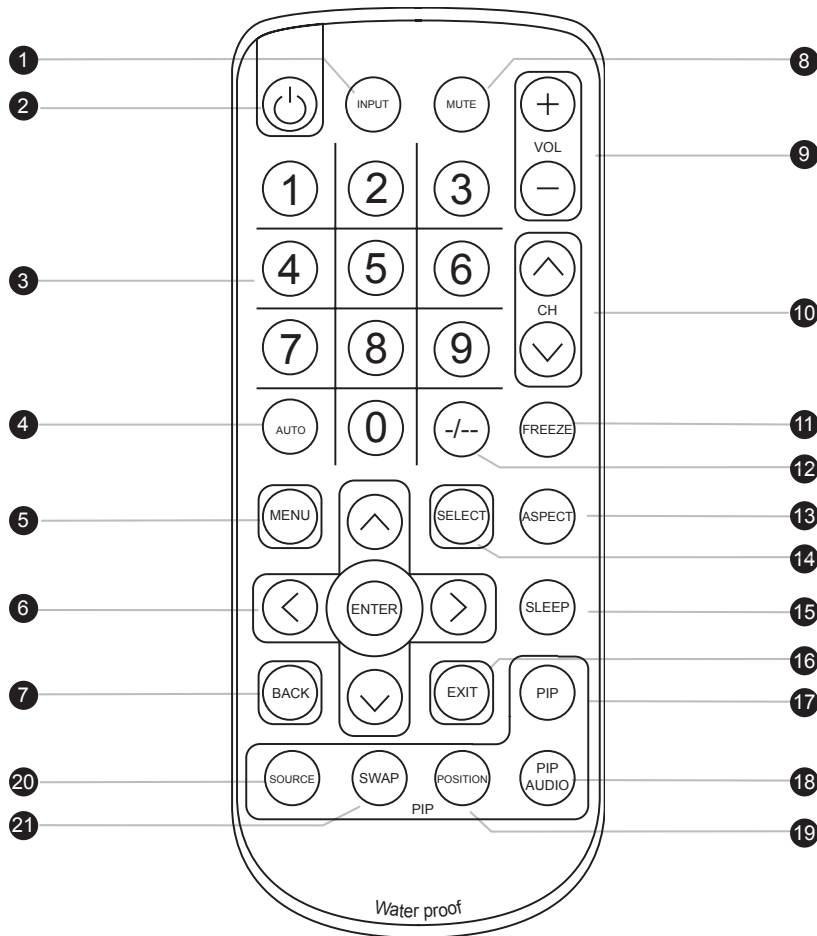
TV



\*\*\* For TV option :

- ( 1 ) The AD board comes standard with DVI-D, VGA, S-Video, BNC, audio inputs and RC-2 remote controller.
- ( 2 ) Casing dimensions will be changed.

# How to Use RC-2 Remote Controller



①	<b>INPUT</b>	Select the source
②		Switches on or off the TV
③	<b>0 - 9</b>	Only use in TV mode. Select channels. For channel numbers 10 and above, enter the second digit within two seconds.
④	<b>AUTO</b>	Auto adjust
⑤	<b>MENU</b>	Display the menu on the screen or go to the previous menu
⑥	<b>▲ / ▼ / ◀ / ▶ / ENTER</b>	Go to the upper menu or select the previous value / Go to the next menu or select the next value / Decrease the setting value / Increase the setting value or enter to the select item setting Enter to the select item settings or excude the setting
⑦	<b>BACK</b>	Back to previous value
⑧	<b>MUTE</b>	Turn on or off the speaker
⑨	<b>Vol + / -</b>	Increase or decrease the speaker volume
⑩	<b>CH + / -</b>	For TV model only, increase or decrease the channel number
⑪	<b>FREEZE</b>	Reserve for OEM model
⑫	<b>- / --</b>	For setting input single or double digits
⑬	<b>ASPECT</b>	Adjust the screen size
⑭	<b>SELECT</b>	To select the existing item
⑮	<b>SLEEP</b>	Select the sleeping time
⑯	<b>EXIT</b>	Exit the menu or cancel
<b>PIP functions</b>		
⑰	<b>PIP</b>	Picture in picture
⑱	<b>PIP AUDIO</b>	To set the audio of in PIP mode
⑲	<b>POSITION</b>	To set the screen position in PIP mode
⑳	<b>SOURCE</b>	PIP Source
㉑	<b>SWAP</b>	Swap screen in PIP mode

# Intentionally Left Blank

The company reserves the right to modify product specifications without prior notice and assumes no responsibility for any error which may appear in this publication.

All brand names, logo and registered trademarks are properties of their respective owners.

Copyright 2019 Austin Hughes Electronics Ltd. All rights reserved.