

Secure 4-port, Single-head DP/HDMI KVM switch with 4K Ultra-HD support

KEY FEATURES

- Supports Windows, Mac and Linux OS
- Single-head DP/HDMI video interface
- 4K Ultra-HD resolution - supports up to 3840 x 2160 @ 30Hz
- External power supply - Level VI efficiency
- Computer interface isolation while powered or unpowered
- Ensures all user data is completely isolated and no data is ever stored
- No external interfaces can be used, only keyboard and mouse accepted
- Secure channel switching with leak prevention, no hotkeys
- Front panel tactile buttons for secure channel switching and LED channel indicators
- Peripheral and authentication ports isolation for secure usage
- Tamper evident label and anti-tampering technology
- No wireless devices connected
- Ensures only trusted admin gains access

APPLICATIONS

- Government Operations
- Defense Applications
- Secure Control Rooms
- Corporate Communications
- Server Operations
- Educational Administrations
- Medical Facilities
- Banking Network
- Insurance Data Centers
- Transit Management
- Industrial Operation
- Intelligence Communications



KEYBOARD AND MOUSE EMULATION

The Secure KVM emulates (simulates) the presence of a keyboard and mouse for every attached computer through a USB cable. Both selected and non-selected computers maintain a constant connection with the unit's keyboard mouse emulation controllers, allowing for ultra-fast switching and restricting discovery of newly connected peripherals during switching operations. Emulation of keyboard and mouse also prevents direct connection between the peripherals and the connected computers, shielding systems from potential vulnerabilities.

SECURE VIDEO/AUX EMULATION

The KVM can simulate a generic EDID, allowing it to operate most of the connected DP and HDMI monitors in the market. Both selected and non-selected computers maintain a constant connection with the unit's video and EDID emulation controllers, allowing for ultra-fast switching and restricting discovery of newly connected monitors during switching operations. The unit prevents unwanted and unsecure data from getting transmitted between the computers and the display.

VIDEO	
Format	DisplayPort1.2a, HDMI2.0
Input Interface	(4) DisplayPort, (4) HDMI
Output Interface	(1) DisplayPort, (1) HDMI
Resolution	Up to 4K (3840x2160 @ 30Hz)
DDC	5 volts p-p (TTL)
Input Equalization	Automatic
Input Cable Length	Up to 20 ft.
Output Cable Length	Up to 20 ft.

USB	
Input Interface	(4) USB Type B
Output Interface	(2) USB 1.1 Type A for KM Devices
Emulation	USB 1.1 and USB 2.0 Compatible

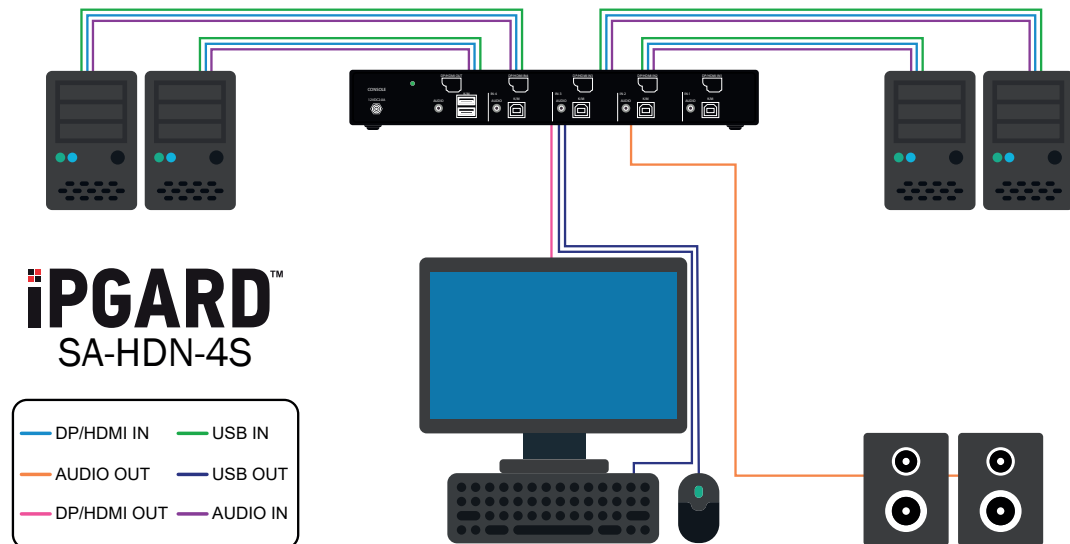
AUDIO	
Audio Input	(4) 3.5mm stereo audio
Audio Output	(1) 3.5mm stereo audio

CONTROL	
Front Panel	Front panel SELECT buttons

OTHER	
Power	External 100-240 VAC/ 12VDC2A @ 24W
Dimensions	12.6" W x 1.76" H x 6.69" D
Weight	4.2 lbs
Approvals	NIAP PP 4.0, UL, CE, ROHS Compliant
Operating Temp.	+32 to +104°F (0 to +40°C)
Storage Temp.	-4 to 140°F (-20 to +60°C)
Humidity	Up to 80% (no condensation)

ORDERING INFORMATION		
Part No.	UPC	Description
SA-HDN-4S	686911124396	4-Port SH Secure Pro DP/HDMI KVM w/audio, PP 4.0. Includes: [SA-HDN-4S; PS12V2A]

INSTALLATION DIAGRAM



IPGARD™
SA-HDN-4S

CALL US TOLL FREE:
(888) 99-IPGARD | (702) 800-0005
INFO@IPGARD.COM | WWW.IPGARD.COM