

## Secure 4-port, Dual-head DisplayPort KVM switch with 4K Ultra-HD support

### KEY FEATURES

- Supports Windows, Mac and Linux OS
- Dual-head DisplayPort video interface
- 4K Ultra-HD resolution - supports up to 3840 x 2160 @ 30Hz
- External power supply - Level VI efficiency
- Computer interface isolation while powered or unpowered
- Ensures all user data is completely isolated and no data is ever stored
- Secure channel switching with leak prevention, no hotkeys
- Front panel tactile buttons for secure channel switching and LED channel indicators
- Peripheral and authentication ports isolation for secure usage
- Tamper evident label and anti-tampering technology
- No wireless devices connected
- Ensures only trusted admin gains access

### APPLICATIONS

- Government Operations
- Defense Applications
- Secure Control Rooms
- Corporate Communications
- Server Operations
- Educational Administrations
- Medical Facilities
- Banking Network
- Insurance Data Centers
- Transit Management
- Industrial Operation
- Intelligence Communications



**KEYBOARD AND MOUSE EMULATION**

The Secure KVM emulates (simulates) the presence of a keyboard and mouse for every attached computer through a USB cable. Both selected and non-selected computers maintain a constant connection with the unit's keyboard mouse emulation controllers, allowing for ultra-fast switching and restricting discovery of newly connected peripherals during switching operations. Emulation of keyboard and mouse also prevents direct connection between the peripherals and the connected computers, shielding systems from potential vulnerabilities.

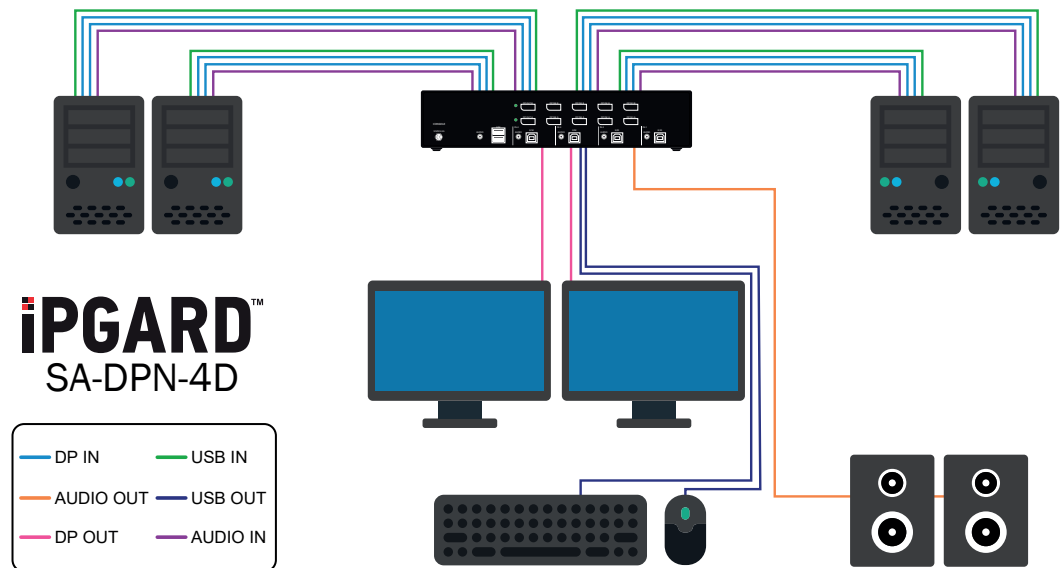
**SECURE VIDEO/AUX EMULATION**

The KVM can simulate a generic EDID, allowing it to operate most of the connected DP monitors in the market. Both selected and non-selected computers maintain a constant connection with the unit's video and EDID emulation controllers, allowing for ultra-fast switching and restricting discovery of newly connected monitors during switching operations. The unit prevents unwanted and unsecure data from getting transmitted between the computers and the display.

VIDEO	
Format	DisplayPort1.2a
Input Interface	(8) DisplayPort
Output Interface	(2) DisplayPort
Resolution	Up to 4K (3840x2160 @ 30Hz)
DDC	5 volts p-p (TTL)
Input Equalization	Automatic
Input Cable Length	Up to 20 ft.
Output Cable Length	Up to 20 ft.
USB	
Input Interface	(4) USB Type B
Output Interface	(2) USB 1.1 Type A for KM Devices
Emulation	USB 1.1 and USB 2.0 Compatible
AUDIO	
Audio Input	(4) 3.5mm stereo audio
Audio Output	(1) 3.5mm stereo audio
CONTROL	
Front Panel	Front panel SELECT buttons
OTHER	
Power	External 100-240 VAC/ 12VDC2A @ 24W
Dimensions	12.57" W x 2.7" H x 6.69" D
Weight	4.2 lbs
Approvals	NIAP PP 4.0, UL, CE, ROHS Compliant
Operating Temp.	+32 to +104°F (0 to +40°C)
Storage Temp.	-4 to 140°F (-20 to +60°C)
Humidity	Up to 80% (no condensation)

ORDERING INFORMATION		
Part No.	UPC	Description
SA-DPN-4D	686911124389	4-Port DH Secure Pro DP KVM w/audio, PP 4.0. Includes: [SA-DPN-4D; PS12V2A]

**INSTALLATION DIAGRAM**



**IPGARD™**  
**SA-DPN-4D**

**CALL US TOLL FREE:**  
**(888) 99-IPGARD | (702) 800-0005**  
**INFO@IPGARD.COM | WWW.IPGARD.COM**