

# 2/4/8-Port USB DVI / HDMI / DisplayPort Single / Dual Display Secure KVM Switch Series

## PSD PP v4.0 Secure KVM Switch Series

ATEN PSD PP v4.0 Secure KVM Switches are specifically designed to meet the stringent security requirement of secure defense and intelligence installations. ATEN PSD PP v4.0 Secure KVM Switches are compliant with PSD PP v4.0 (Protection Profile for Peripheral Sharing Device, Version 4.0) standard certified by the National Information Assurance Partnership (NIAP).

ATEN PSD PP v4.0 Secure KVM Switches provide isolation between computer sources and peripherals while sharing a single keyboard, mouse, monitor, speaker set, and Common Access Card (CAC) reader between connected computers of various security classifications. Compliance with PSD PP v4.0 ensures peripheral sharing capabilities provide maximum user data security when switching port focus, preventing unauthorized data flows or leakage between connected sources. Key protections include isolation and unidirectional data flow, restricted peripheral connectivity and filtering, user data protection, configurable device filtration and management, strict audio filtration, and always-on tamper-proof design, keeping sensitive assets isolated and providing advanced security and a user friendly design for instantly secure deployment.

To fulfill different customer demands, ATEN PSD PP v4.0 Secure KVM Switches offer a wide range of options including 2-port, 4-port and 8-port models, CAC and Non-CAC models, and video interfaces including DisplayPort, HDMI, and DVI. ATEN PSD PP v4.0 Secure KVM Switches also provide customers with the flexibility to connect single or dual displays, providing superior video quality up to 4K UHD (3840 × 2160 @ 60 Hz)<sup>1</sup>.

To enhance security, ATEN PSD PP v4.0 Secure KVM Switches only offer manual switching methods including front panel pushbuttons and Remote Port Selector (RPS)<sup>2</sup>. With multi-layered security, ATEN PSD PP v4.0 Secure KVM Switches ensure high-level desktop security and data safekeeping for applications such as government and military agencies, healthcare providers, banking & finance institutions, and other organizations that often handle sensitive or confidential data on separate networks.

Note:

- The HDMI Secure KVM Switch series supports console video output resolutions up to 3840 x 2160 @ 60 Hz.  
The DisplayPort Secure KVM Switch series supports console video output resolutions up to 3840 x 2160 @ 30 Hz.  
The DVI Secure KVM Switch series offers up to 3840 x 2160 @ 30 Hz video output on compatible HDMI-interfaced monitors / computers with ATEN DVI-to-HDMI KVM cables.
- The Remote Port Selector is not supplied in the package and requires a separate purchase.



CS1148DP4C Front View



CS1148DP4C Rear View



CS1144H4C Front View



CS1144H4C Rear View



CS1148D4C Front View



CS1148D4C Rear View



## Features

- Compliant with PSD PP v4.0 (Protection Profile for Peripheral Sharing Device, Version 4.0) security requirements
- Always-on chassis intrusion detection – renders the ATEN PSD PP v4.0 Secure KVM Switch series inoperable when physical tampering is detected
- Configurable Device Filtration – supports administrative configuration to filter specific USB authentication devices and USB HID devices
- Superior video quality – up to 4K (3840 x 2160 @ 60 Hz)<sup>1</sup>
- Port selection via pushbuttons / Remote Port Selector (RPS)<sup>2</sup> only to enhance security
- Video DynaSync™ – exclusive ATEN technology eliminates boot-up display problems and optimizes resolutions when switching among different sources
- Supports enable / disable CAC function by port
- LED indicators for peripheral filtering and KVM security status
- Rugged metal enclosure
- Built-in internal power
- Supports analog audio (speaker only)<sup>3</sup>

1. The HDMI Secure KVM Switch series supports console video output resolutions up to 3840 x 2160 @ 60 Hz. The DisplayPort Secure KVM Switch series supports console video output resolutions up to 3840 x 2160 @ 30 Hz. The DVI Secure KVM Switch series offers up to 3840 x 2160 @ 30 Hz video output on compatible HDMI-interfaced monitors / computers with ATEN DVI-to-HDMI KVM cables.
2. The Remote Port Selector is not supplied in the package and requires a separate purchase.
3. Only analog speaker data input is supported.

## Highlights

<b>NIAP Common Criteria Compliant</b>	<ul style="list-style-type: none"> <li>Compliant with PSD PP v4.0 (Protection Profile for Peripheral Sharing Device, Version 4.0) security requirements</li> </ul>
<b>Multi-Layered Security</b>	<ul style="list-style-type: none"> <li>Always-on chassis intrusion detection – renders the ATEN PSD PP v4.0 Secure KVM Switch series inoperable when physical tampering is detected</li> <li>Tamper-evident labels – provides visual indication of any attempt to access the ATEN PSD PP v4.0 Secure KVM Switch's internal components</li> <li>Non-reprogrammable firmware – prevents reprogramming the ATEN PSD PP v4.0 Secure KVM Switch's firmware</li> <li>Restricted peripheral connectivity – non-authorized HID's (Human Interface Devices), video, or authentication device connections are rejected</li> <li>Port selection via pushbuttons / Remote Port Selector (RPS)<sup>1</sup> only to enhance security</li> <li>LED indicators for peripheral filtering and KVM security status</li> <li>Strict audio filtration protects against audio leakage.</li> <li>Rugged metal enclosure</li> </ul>
<b>Data Channel Isolation and Unidirectional Data Flow</b>	<ul style="list-style-type: none"> <li>True data path isolation – data cannot be transferred between computers</li> <li>The ATEN PSD PP v4.0 Secure KVM Switch controls and isolates data flow between console devices and connected computers</li> <li>Unidirectional data flow between console devices and the selected computer is ensured</li> <li>Supports analog audio (speaker only)<sup>2</sup></li> </ul>
<b>User Data Protection</b>	<ul style="list-style-type: none"> <li>The ATEN PSD PP v4.0 Secure KVM Switch's keyboard / mouse data is automatically deleted after transmission and automatically purged when the KVM port focus is switched</li> </ul>
<b>Security Management</b>	<ul style="list-style-type: none"> <li>Supports administrative configuration of CAC Port filtering to accept or reject specific USB authentication devices</li> <li>Supports administrative configuration of keyboard / mouse ports filtering to reject specific USB HID devices</li> <li>Provides administrative functions for authorized administrators to audit KVM log data</li> <li>Supports enable / disable CAC function by port</li> </ul>
<b>Superior Video Quality</b>	<ul style="list-style-type: none"> <li>Superior video quality – up to 4K (3840 x 2160 @ 60 Hz)<sup>3</sup></li> <li>Video DynaSync™ – Exclusive ATEN technology eliminates boot-up display problems and optimizes resolutions when switching among different sources</li> </ul>

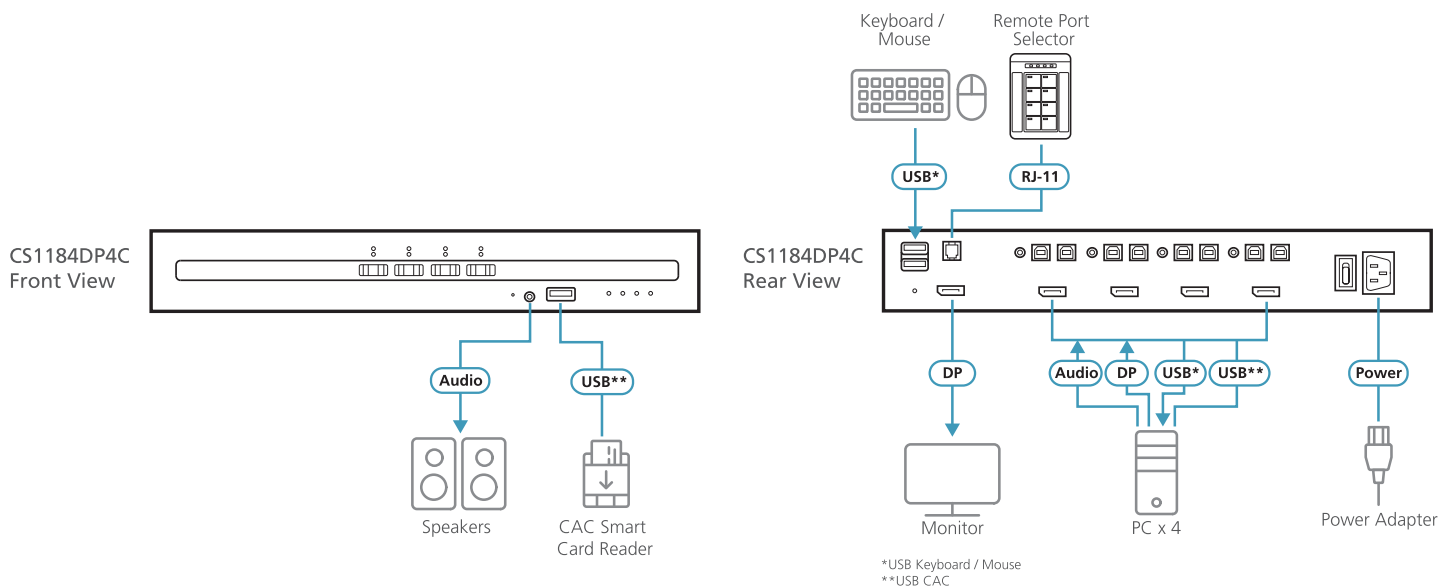
1. The Remote Port Selector is not supplied in the package and requires a separate purchase.

2. Only analog speaker data input is supported.

3. The HDMI Secure KVM Switch series supports console video output resolutions up to 3840 x 2160 @ 60 Hz.

The DisplayPort Secure KVM Switch series supports console video output resolutions up to 3840 x 2160 @ 30 Hz.

The DVI Secure KVM Switch series offers up to 3840 x 2160 @ 30 Hz video output on compatible HDMI-interfaced monitors / computers with ATEN DVI-to-HDMI KVM cables.



## Specifications

### ATEN PSD PP v4.0 DisplayPort Secure KVM Switches with CAC

	CS1182DP4C	CS1184DP4C	CS1188DP4C
<b>Computer Connections</b>	2	4	8
<b>Port Selection</b>	Pushbutton, Remote Port Selector		
<b>Connectors</b>			
Console Ports	1 x DisplayPort Female (Black) 2 x USB Type-A Female (White) 1 x Mini Stereo Jack Female (Green; front panel)		
KVM Ports	4 x USB Type-B Female (White) 2 x DisplayPort Female (Black) 2 x Mini Stereo Jack Female (Green)	8 x USB Type-B Female (White) 4 x DisplayPort Female (Black) 4 x Mini Stereo Jack Female (Green)	16 x USB Type-B Female (White) 8 x DisplayPort Female (Black) 8 x Mini Stereo Jack Female (Green)
<b>Power</b>	1 x 3-prong AC Socket		
<b>USB CAC Port</b>	1 x USB Type-A Female (White; front panel)		
<b>Remote Selector Port</b>	1 x RJ-11 (Black; rear panel)		
<b>Switches</b>			
Port Selection	2 x Pushbuttons	4 x Pushbuttons	8 x Pushbuttons
Reset	1 x Semi-recessed Pushbutton		
Power	1 x Rocker		
<b>LEDs</b>			
Power	1 (Green)		
Online / Selected (KVM Port)	2 (Orange)	4 (Orange)	8 (Orange)
Online / Selected (CAC Port)	2 (Green)	4 (Green)	8 (Green)
Video	1 (Green)		
Key Lock	3 (Green)		
<b>Emulation</b>			
Keyboard / Mouse	USB		
<b>Video</b>	Max. 3840 x 2160 @ 30 Hz (UHD)		
<b>Maximum Input Power Rating</b>	100-240V~; 50-60 Hz; 1A		
<b>Environmental</b>			
Operating Temperature	0-50 °C		
Storage Temperature	-20-60 °C		
Humidity	0 - 80% RH, Non-condensing		
<b>Physical Properties</b>			
Housing	Metal		

## Specifications

### ATEN PSD PP v4.0 DisplayPort Dual Display Secure KVM Switches with CAC

	CS1142DP4C	CS1144DP4C	CS1148DP4C
<b>Computer Connections</b>	2	4	8
<b>Port Selection</b>	Pushbutton, Remote Port Selector		
<b>Connectors</b>			
Console Ports	2 x DisplayPort Female (Black) 2 x USB Type-A Female (White) 1 x Mini Stereo Jack Female (Green; front panel)		
KVM Ports	4 x USB Type-B Female (White) 4 x DisplayPort Female (Black) 2 x Mini Stereo Jack Female (Green)	8 x USB Type-B Female (White) 8 x DisplayPort Female (Black) 4 x Mini Stereo Jack Female (Green)	16 x USB Type-B Female (White) 16 x DisplayPort Female (Black) 8 x Mini Stereo Jack Female (Green)
<b>Power</b>	1 x 3-prong AC Socket		
<b>USB CAC Port</b>	1 x USB Type-A Female (White; front panel)		
<b>Remote Selector Port</b>	1 x RJ-11 (Black; rear panel)		
<b>Switches</b>			
Port Selection	2 x Pushbuttons	4 x Pushbuttons	8 x Pushbuttons
Reset	1 x Semi-recessed Pushbutton		
Power	1 x Rocker		
<b>LEDs</b>			
Power	1 (Green)		
Online / Selected (KVM Port)	2 (Orange)	4 (Orange)	8 (Orange)
Online / Selected (CAC Port)	2 (Green)	4 (Green)	8 (Green)
Video	2 (Green)		
Key Lock	3 (Green)		
<b>Emulation</b>			
Keyboard / Mouse	USB		
<b>Video</b>	Max. 3840 x 2160 @ 30 Hz (UHD)		
<b>Maximum Input Power Rating</b>	100–240V~; 50-60 Hz; 1A	100–240V~; 50-60 Hz; 1.5 A	100–240V~; 50-60 Hz; 1.5 A
<b>Environmental</b>			
Operating Temperature	0-50 °C		
Storage Temperature	-20-60 °C		
Humidity	0 - 80% RH, Non-condensing		
<b>Physical Properties</b>			
Housing	Metal		

## Specifications

### ATEN PSD PP v4.0 DisplayPort Secure KVM Switches

	CS1182DP4	CS1184DP4	CS1188DP4
<b>Computer Connections</b>	2	4	8
<b>Port Selection</b>	Pushbutton, Remote Port Selector		
<b>Connectors</b>			
Console Ports	1 x DisplayPort Female (Black) 2 x USB Type-A Female (White) 1 x Mini Stereo Jack Female (Green; front panel)		
KVM Ports	2 x USB Type-B Female (White) 2 x DisplayPort Female (Black) 2 x Mini Stereo Jack Female (Green)	4 x USB Type-B Female (White) 4 x DisplayPort Female (Black) 4 x Mini Stereo Jack Female (Green)	8 x USB Type-B Female (White) 8 x DisplayPort Female (Black) 8 x Mini Stereo Jack Female (Green)
<b>Power</b>	1 x 3-prong AC Socket		
<b>Remote Selector Port</b>	1 x RJ-11 (Black; rear panel)		
<b>Switches</b>			
Port Selection	2 x Pushbuttons	4 x Pushbuttons	8 x Pushbuttons
Reset	1 x Semi-recessed Pushbutton		
Power	1 x Rocker		
<b>LEDs</b>			
Power	1 (Green)		
Online / Selected (KVM Port)	2 (Orange)	4 (Orange)	8 (Orange)
Video	1 (Green)		
Key Lock	3 (Green)		
<b>Emulation</b>			
Keyboard / Mouse	USB		
<b>Video</b>	Max. 3840 x 2160 @ 30 Hz (UHD)		
<b>Maximum Input Power Rating</b>	100-240V~; 50-60 Hz; 1A		
<b>Environmental</b>			
Operating Temperature	0-50 °C		
Storage Temperature	-20-60 °C		
Humidity	0 - 80% RH, Non-condensing		
<b>Physical Properties</b>			
Housing	Metal		

## Specifications

### ATEN PSD PP v4.0 DisplayPort Dual Display Secure KVM Switches

	CS1142DP4	CS1144DP4	CS1148DP4
<b>Computer Connections</b>	2	4	8
<b>Port Selection</b>	Pushbutton, Remote Port Selector		
<b>Connectors</b>			
Console Ports	2 x DisplayPort Female (Black) 2 x USB Type-A Female (White) 1 x Mini Stereo Jack Female (Green; front panel)		
KVM Ports	2 x USB Type-B Female (White) 4 x DisplayPort Female (Black) 2 x Mini Stereo Jack Female (Green)	4 x USB Type-B Female (White) 8 x DisplayPort Female (Black) 4 x Mini Stereo Jack Female (Green)	8 x USB Type-B Female (White) 16 x DisplayPort Female (Black) 8 x Mini Stereo Jack Female (Green)
<b>Power</b>	1 x 3-prong AC Socket		
<b>Remote Selector Port</b>	1 x RJ-11 (Black; rear panel)		
<b>Switches</b>			
Port Selection	2 x Pushbuttons	4 x Pushbuttons	8 x Pushbuttons
Reset	1 x Semi-recessed Pushbutton		
Power	1 x Rocker		
<b>LEDs</b>			
Power	1 (Green)		
Online / Selected (KVM Port)	2 (Orange)	4 (Orange)	8 (Orange)
Video	2 (Green)		
Key Lock	3 (Green)		
<b>Emulation</b>			
Keyboard / Mouse	USB		
<b>Video</b>	Max. 3840 x 2160 @ 30 Hz (UHD)		
<b>Maximum Input Power Rating</b>	100–240V~; 50-60 Hz; 1A	100–240V~; 50-60 Hz; 1.5 A	100–240V~; 50-60 Hz; 1.5 A
<b>Environmental</b>			
Operating Temperature	0-50 °C		
Storage Temperature	-20-60 °C		
Humidity	0 - 80% RH, Non-condensing		
<b>Physical Properties</b>			
Housing	Metal		

## Specifications

### ATEN PSD PP v4.0 HDMI Single / Dual Display Secure KVM Switches with CAC

	CS1182H4C	CS1184H4C	CS1142H4C	CS1144H4C
<b>Computer Connections</b>	2	4	2	4
<b>Port Selection</b>	Pushbutton, Remote Port Selector			
<b>Connectors</b>				
Console Ports	1 x HDMI Female (Black) 2 x USB Type-A Female (White) 1 x Mini Stereo Jack Female (Green; front panel)		2 x HDMI Female (Black) 2 x USB Type-A Female (White) 1 x Mini Stereo Jack Female (Green; front panel)	
KVM Ports	4 x USB Type-B Female (White) 2 x HDMI Female (Black) 2 x Mini Stereo Jack Female (Green)	8 x USB Type-B Female (White) 4 x HDMI Female (Black) 4 x Mini Stereo Jack Female (Green)	4 x USB Type-B Female (White) 4 x HDMI Female (Black) 2 x Mini Stereo Jack Female (Green)	8 x USB Type-B Female (White) 8 x HDMI Female (Black) 4 x Mini Stereo Jack Female (Green)
<b>Power</b>	1 x 3-prong AC Socket			
<b>USB CAC Port</b>	1 x USB Type-A Female (White; front panel)			
<b>Remote Selector Port</b>	1 x RJ-11 (Black; rear panel)			
<b>Switches</b>				
Port Selection	2 x Pushbuttons	4 x Pushbuttons	2 x Pushbuttons	4 x Pushbuttons
Reset	1 x Semi-recessed Pushbutton			
Power	1 x Rocker			
<b>LEDs</b>				
Power	1 (Green)			
Online / Selected (KVM Port)	2 (Orange)	4 (Orange)	2 (Orange)	4 (Orange)
Online / Selected (CAC Port)	2 (Green)	4 (Green)	2 (Green)	4 (Green)
Video	1 (Green)		2 (Green)	
Key Lock	3 (Green)			
<b>Emulation</b>				
Keyboard / Mouse	USB			
<b>Video</b>	Max. 3840 x 2160 @ 60 Hz (UHD)			
<b>Maximum Input Power Rating</b>	100–240V~; 50-60 Hz; 1A			
<b>Environmental</b>				
Operating Temperature	0-50 °C			
Storage Temperature	-20-60 °C			
Humidity	0 - 80% RH, Non-condensing			
<b>Physical Properties</b>				
Housing	Metal			



## Specifications

### ATEN PSD PP v4.0 HDMI Single / Dual Display Secure KVM Switches

	CS1182H4	CS1184H4	CS1142H4	CS1144H4
<b>Computer Connections</b>	2	4	2	4
<b>Port Selection</b>	Pushbutton, Remote Port Selector			
<b>Connectors</b>				
Console Ports	1 x HDMI Female (Black) 2 x USB Type-A Female (White) 1 x Mini Stereo Jack Female (Green; front panel)		2 x HDMI Female (Black) 2 x USB Type-A Female (White) 1 x Mini Stereo Jack Female (Green; front panel)	
KVM Ports	2 x USB Type-B Female (White) 2 x HDMI Female (Black) 2 x Mini Stereo Jack Female (Green)	4 x USB Type-B Female (White) 4 x HDMI Female (Black) 4 x Mini Stereo Jack Female (Green)	2 x USB Type-B Female (White) 4 x HDMI Female (Black) 2 x Mini Stereo Jack Female (Green)	4 x USB Type-B Female (White) 8 x HDMI Female (Black) 4 x Mini Stereo Jack Female (Green)
<b>Power</b>	1 x 3-prong AC Socket			
<b>Remote Selector Port</b>	1 x RJ-11 (Black; rear panel)			
<b>Switches</b>				
Port Selection	2 x Pushbuttons	4 x Pushbuttons	2 x Pushbuttons	4 x Pushbuttons
Reset	1 x Semi-recessed Pushbutton			
Power	1 x Rocker			
<b>LEDs</b>				
Power	1 (Green)			
Online / Selected (KVM Port)	2 (Orange)	4 (Orange)	2 (Orange)	4 (Orange)
Video	1 (Green)		2 (Green)	
Key Lock	3 (Green)			
<b>Emulation</b>				
Keyboard / Mouse	USB			
<b>Video</b>	Max. 3840 x 2160 @ 60 Hz (UHD)			
<b>Maximum Input Power Rating</b>	100–240V~; 50-60 Hz; 1A			
<b>Environmental</b>				
Operating Temperature	0-50 °C			
Storage Temperature	-20-60 °C			
Humidity	0 - 80% RH, Non-condensing			
<b>Physical Properties</b>				
Housing	Metal			

## Specifications

### ATEN PSD PP v4.0 DVI Secure KVM Switches with CAC

	CS1182D4C	CS1184D4C	CS1188D4C
<b>Computer Connections</b>	2	4	8
<b>Port Selection</b>	Pushbutton, Remote Port Selector		
<b>Connectors</b>			
Console Ports	1 x DVI-I Dual Link Female 2 x USB Type-A Female (White) 1 x Mini Stereo Jack Female (Green; front panel)		
KVM Ports	4 x USB Type-B Female (White) 2 x DVI-I Dual Link Female 2 x Mini Stereo Jack Female (Green)	8 x USB Type-B Female (White) 4 x DVI-I Dual Link Female 4 x Mini Stereo Jack Female (Green)	16 x USB Type-B Female (White) 8 x DVI-I Dual Link Female 8 x Mini Stereo Jack Female (Green)
<b>Power</b>	1 x 3-prong AC Socket		
<b>USB CAC Port</b>	1 x USB Type-A Female (White; front panel)		
<b>Remote Selector Port</b>	1 x RJ-11 (Black; rear panel)		
<b>Switches</b>			
Port Selection	2 x Pushbuttons	4 x Pushbuttons	8 x Pushbuttons
Reset	1 x Semi-recessed Pushbutton		
Power	1 x Rocker		
<b>LEDs</b>			
Power	1 (Green)		
Online / Selected (KVM Port)	2 (Orange)	4 (Orange)	8 (Orange)
Online / Selected (CAC Port)	2 (Green)	4 (Green)	8 (Green)
Video	1 (Green)		
Key Lock	3 (Green)		
<b>Emulation</b>			
Keyboard / Mouse	USB		
<b>Video</b>	Max. 3840 x 2160 @ 30 Hz (UHD)* DVI Dual Link: 2560 x 1600; DVI Single Link: 1920 x 1200 DVI-A: 2048 x 1536		
<b>Maximum Input Power Rating</b>	100-240V~; 50-60 Hz; 1A		
<b>Environmental</b>			
Operating Temperature	0-50 °C		
Storage Temperature	-20-60 °C		
Humidity	0 - 80% RH, Non-condensing		
<b>Physical Properties</b>			
Housing	Metal		

\*DVI Secure KVM Switches support up to 3840 x 2160 @ 30 Hz video output on compatible HDMI-interfaced monitors / computers with ATEN DVI-to-HDMI KVM cables.

## Specifications

### ATEN PSD PP v4.0 DVI Dual Display Secure KVM Switches with CAC

	CS1142D4C	CS1144D4C	CS1148D4C
<b>Computer Connections</b>	2	4	8
<b>Port Selection</b>	Pushbutton, Remote Port Selector		
<b>Connectors</b>			
Console Ports	2 x DVI-I Dual Link Female 2 x USB Type-A Female (White) 1 x Mini Stereo Jack Female (Green; front panel)		
KVM Ports	4 x USB Type-B Female (White) 4 x DVI-I Dual Link Female 2 x Mini Stereo Jack Female (Green)	8 x USB Type-B Female (White) 8 x DVI-I Dual Link Female 4 x Mini Stereo Jack Female (Green)	16 x USB Type-B Female (White) 16 x DVI-I Dual Link Female 8 x Mini Stereo Jack Female (Green)
<b>Power</b>	1 x 3-prong AC Socket		
<b>USB CAC Port</b>	1 x USB Type-A Female (White; front panel)		
<b>Remote Selector Port</b>	1 x RJ-11 (Black; rear panel)		
<b>Switches</b>			
Port Selection	2 x Pushbuttons	4 x Pushbuttons	8 x Pushbuttons
Reset	1 x Semi-recessed Pushbutton		
Power	1 x Rocker		
<b>LEDs</b>			
Power	1 (Green)		
Online / Selected (KVM Port)	2 (Orange)	4 (Orange)	8 (Orange)
Online / Selected (CAC Port)	2 (Green)	4 (Green)	8 (Green)
Video	2 (Green)		
Key Lock	3 (Green)		
<b>Emulation</b>			
Keyboard / Mouse	USB		
<b>Video</b>	Max. 3840 x 2160 @ 30 Hz (UHD)* DVI Dual Link: 2560 x 1600; DVI Single Link: 1920 x 1200 DVI-A: 2048 x 1536		
<b>Maximum Input Power Rating</b>	100–240V~; 50-60 Hz; 1A	100–240V~; 50-60 Hz; 1.5 A	100–240V~; 50-60 Hz; 1A
<b>Environmental</b>			
Operating Temperature	0-50 °C		
Storage Temperature	-20-60 °C		
Humidity	0 - 80% RH, Non-condensing		
<b>Physical Properties</b>			
Housing	Metal		

\*DVI Secure KVM Switches support up to 3840 x 2160 @ 30 Hz video output on compatible HDMI-interfaced monitors / computers with ATEN DVI-to-HDMI KVM cables.

## Specifications

### ATEN PSD PP v4.0 DVI Secure KVM Switches

	CS1182D4	CS1184D4	CS1188D4
<b>Computer Connections</b>	2	4	8
<b>Port Selection</b>	Pushbutton, Remote Port Selector		
<b>Connectors</b>			
Console Ports	1 x DVI-I Dual Link Female 2 x USB Type-A Female (White) 1 x Mini Stereo Jack Female (Green; front panel)		
KVM Ports	2 x USB Type-B Female (White) 2 x DVI-I Dual Link Female 2 x Mini Stereo Jack Female (Green)	4 x USB Type-B Female (White) 4 x DVI-I Dual Link Female 4 x Mini Stereo Jack Female (Green)	8 x USB Type-B Female (White) 8 x DVI-I Dual Link Female 8 x Mini Stereo Jack Female (Green)
<b>Power</b>	1 x 3-prong AC Socket		
<b>Remote Selector Port</b>	1 x RJ-11 (Black; rear panel)		
<b>Switches</b>			
Port Selection	2 x Pushbuttons	4 x Pushbuttons	8 x Pushbuttons
Reset	1 x Semi-recessed Pushbutton		
Power	1 x Rocker		
<b>LEDs</b>			
Power	1 (Green)		
Online / Selected (KVM Port)	2 (Orange)	4 (Orange)	8 (Orange)
Video	1 (Green)		
Key Lock	3 (Green)		
<b>Emulation</b>			
Keyboard / Mouse	USB		
<b>Video</b>	Max. 3840 x 2160 @ 30 Hz (UHD)* DVI Dual Link: 2560 x 1600; DVI Single Link: 1920 x 1200 DVI-A: 2048 x 1536		
<b>Maximum Input Power Rating</b>	100–240V~; 50-60 Hz; 1A		
<b>Environmental</b>			
Operating Temperature	0-50 °C		
Storage Temperature	-20-60 °C		
Humidity	0 - 80% RH, Non-condensing		
<b>Physical Properties</b>			
Housing	Metal		

\*DVI Secure KVM Switches support up to 3840 x 2160 @ 30 Hz video output on compatible HDMI-interfaced monitors / computers with ATEN DVI-to-HDMI KVM cables.

## Specifications

### ATEN PSD PP v4.0 DVI Dual Display Secure KVM Switches

	CS1142D4	CS1144D4	CS1148D4
<b>Computer Connections</b>	2	4	8
<b>Port Selection</b>	Pushbutton, Remote Port Selector		
<b>Connectors</b>			
Console Ports	2 x DVI-I Dual Link Female 2 x USB Type-A Female (White) 1 x Mini Stereo Jack Female (Green; front panel)		
KVM Ports	2 x USB Type-B Female (White) 4 x DVI-I Dual Link Female 2 x Mini Stereo Jack Female (Green)	4 x USB Type-B Female (White) 8 x DVI-I Dual Link Female 4 x Mini Stereo Jack Female (Green)	8 x USB Type-B Female (White) 16 x DVI-I Dual Link Female 8 x Mini Stereo Jack Female (Green)
<b>Power</b>	1 x 3-prong AC Socket		
<b>Remote Selector Port</b>	1 x RJ-11 (Black; rear panel)		
<b>Switches</b>			
Port Selection	2 x Pushbuttons	4 x Pushbuttons	8 x Pushbuttons
Reset	1 x Semi-recessed Pushbutton		
Power	1 x Rocker		
<b>LEDs</b>			
Power	1 (Green)		
Online / Selected (KVM Port)	2 (Orange)	4 (Orange)	8 (Orange)
Video	2 (Green)		
Key Lock	3 (Green)		
<b>Emulation</b>			
Keyboard / Mouse	USB		
<b>Video</b>	Max. 3840 x 2160 @ 30 Hz (UHD)* DVI Dual Link: 2560 x 1600; DVI Single Link: 1920 x 1200 DVI-A: 2048 x 1536		
<b>Maximum Input Power Rating</b>	100–240V~; 50-60 Hz; 1A	100–240V~; 50-60 Hz; 1.5 A	100–240V~; 50-60 Hz; 1A
<b>Environmental</b>			
Operating Temperature	0-50 °C		
Storage Temperature	-20-60 °C		
Humidity	0 - 80% RH, Non-condensing		
<b>Physical Properties</b>			
Housing	Metal		

\*DVI Secure KVM Switches support up to 3840 x 2160 @ 30 Hz video output on compatible HDMI-interfaced monitors / computers with ATEN DVI-to-HDMI KVM cables.

#### ATEN International Co., Ltd.

3F, No.125, Sec. 2, Datung Rd., Sijhih District., New Taipei City 221, Taiwan  
 Phone: 886-2-8692-6789 Fax: 886-2-8692-6767  
 www.aten.com E-mail: marketing@aten.com

Product information is subject to change without prior notice.

Released: 03/2022 V2.0

© Copyright 2022 ATEN® International Co. Ltd.  
 ATEN and the ATEN logo are registered trademarks of ATEN International Co., Ltd.  
 All rights reserved. All other trademarks are the property of their respective owners.

