



Simply Better Connections

CE840

USB True 4K HDMI HDBaseT 3.0
KVM Extender
User Manual

Compliance Statements

FEDERAL COMMUNICATIONS COMMISSION INTERFERENCE STATEMENT

This equipment has been tested and found to comply with the limits for a Class A digital device, pursuant to Part 15 of the FCC Rules. These limits are designed to provide reasonable protection against harmful interference when the equipment is operated in a commercial environment. This equipment generates, uses, and can radiate radio frequency energy and, if not installed and used in accordance with the instruction manual, may cause harmful interference to radio communications. Operation of this equipment in a residential area is likely to cause harmful interference in which case the user will be required to correct the interference at his own expense.

The device complies with Part 15 of the FCC Rules. Operation is subject to the following two conditions: (1) this device may not cause harmful interference, and (2) this device must accept any interference received, including interference that may cause undesired operation.

FCC Caution

Any changes or modifications not expressly approved by the party responsible for compliance could void the user's authority to operate this equipment.

Warning

Operation of this equipment in a residential environment could cause radio interference.

Achtung

Der Gebrauch dieses Geräts in Wohnumgebung kann Funkstörungen verursachen.

Suggestion

Shield twisted pair (STP) cables must be used with the unit to ensure compliance with FCC & CE standards.



KCC Statement

유선 제품용 / A 급 기기 (업무용 방송 통신 기기)
이 기기는 업무용 (A 급) 전자파적합기기로서 판매자 또는 사용자는 이
점을 주의하시기 바라며, 가정 외의 지역에서 사용하는 것을 목적으로
합니다.

Industry Canada Statement

This Class A digital apparatus complies with Canadian ICES-003.

CAN ICES-003 (A) / NMB-003 (A)

HDMI Trademark Statement

The terms HDMI, HDMI High-Definition Multimedia Interface, and the HDMI Logo are trademarks or registered trademarks of HDMI Licensing Administrator, Inc.



RoHS

This product is RoHS compliant.

User Information

Online Registration

Be sure to register your product at our online support center:

International	http://eservice.aten.com
---------------	---

Telephone Support

For telephone support, call this number:

International	886-2-8692-6959
China	86-400-810-0-810
Japan	81-3-5615-5811
Korea	82-2-467-6789
North America	1-888-999-ATEN ext 4988 1-949-428-1111

User Notice

All information, documentation, and specifications contained in this manual are subject to change without prior notification by the manufacturer. The manufacturer makes no representations or warranties, either expressed or implied, with respect to the contents hereof and specifically disclaims any warranties as to merchantability or fitness for any particular purpose. Any of the manufacturer's software described in this manual is sold or licensed *as is*. Should the programs prove defective following their purchase, the buyer (and not the manufacturer, its distributor, or its dealer), assumes the entire cost of all necessary servicing, repair and any incidental or consequential damages resulting from any defect in the software.

The manufacturer of this system is not responsible for any radio and/or TV interference caused by unauthorized modifications to this device. It is the responsibility of the user to correct such interference.

The manufacturer is not responsible for any damage incurred in the operation of this system if the correct operational voltage setting was not selected prior to operation. PLEASE VERIFY THAT THE VOLTAGE SETTING IS CORRECT BEFORE USE.

Product Information

For information about all ATEN products and how they can help you connect without limits, visit ATEN on the Web or contact an ATEN Authorized Reseller. Visit ATEN on the Web for a list of locations and telephone numbers:

International	http://www.aten.com
---------------	---

Package Contents

Check to make sure that all the components are in working order. If you encounter any problem, please contact your dealer.

- ◆ 1 CE840 USB True 4K HDMI HDBaseT 3.0 KVM Extender (Local Unit)
- ◆ 1 CE840 USB True 4K HDMI HDBaseT 3.0 KVM Extender (Remote Unit)
- ◆ 1 HDMI cable
- ◆ 1 microphone cable
- ◆ 1 speaker cable
- ◆ 1 USB Type-A to USB Type-B cable
- ◆ 2 mounting kits
- ◆ 8 foot pads
- ◆ 2 power adapters and power cords
- ◆ 1 user instructions

Contents

Compliance Statements	ii
User Information	iv
Online Registration	iv
Telephone Support	iv
User Notice	iv
Product Information	v
Package Contents	vi
Contents	vii
About this Manual	ix
Conventions	x
1. Introduction	
Overview	1
Features	2
Requirements	3
Local and Remote Consoles	3
Computers	3
Cables	3
Components	4
CE840L Front and Rear View	4
CE840R Front and Rear View	6
2. Hardware Setup	
Stacking and Rack Mounting	9
Stacking	9
Rack Mounting	10
Optional Rack Mounting	10
Installation	11
Grounding	11
Connecting the Device	12
3. Operation	
Overview	15
LED Display	15
USB Control Modes	16
Long Reach Mode	17
Appendix	
Safety Instructions	19
General	19
Mounting	21
Technical Support	22
International	22

North America	22
Specifications	23
ATEN Standard Warranty Policy	25

About this Manual

This User Manual is provided to help you get the most from your CE840 USB True 4K HDMI HDBaseT 3.0 KVM Extender. It covers all aspects of installation, configuration, and operation. An overview of the information found in the manual is provided below.

Chapter 1, Introduction, introduces you to the CE840 units. Their purposes, features, and benefits are presented, and the functions of their panel components are described.

Chapter 2, Hardware Setup, describes the steps that are necessary to quickly and safely set up your CE840 units.

Chapter 3, Operation, explains the fundamental concepts involved in operating the CE840 units.


Appendix, provides specifications and other technical information regarding the CE840 units.

Note:

- ◆ Read this manual thoroughly and follow the installation and operation procedures carefully to prevent any damage to the unit or any connected devices.
 - ◆ The product may be updated, with features and functions added, improved or removed since the release of this manual. For an up-to-date user manual, visit <http://www.aten.com/global/en>
-

Conventions

This manual uses the following conventions:

- | | |
|---|--|
| Monospaced | Indicates text that you should key in. |
| [] | Indicates keys you should press. For example, [Enter] means to press the Enter key. If keys need to be chorded, they appear together in the same bracket with a plus sign between them: [Ctrl+Alt]. |
| 1. | Numbered lists represent procedures with sequential steps. |
| ◆ | Bullet lists provide information, but do not involve sequential steps. |
| > | Indicates selecting the option (on a menu or dialog box, for example), that comes next. For example, Start > Run means to open the <i>Start</i> menu, and then select <i>Run</i> . |
|  | Indicates critical information. |

Chapter 1

Introduction

Overview

Adopting the latest HDBaseT 3.0 technology, CE840 USB True 4K HDMI HDBaseT 3.0 KVM Extender consists of a local unit and a remote unit, enabling uncompressed True 4K HDMI, audio, RS232, Ethernet, and USB signal transmission across 100m over a single Cat 6A cable (ATEN 2L-2920 Cat 6A Cable recommended) or above. Installation is made easy, neat, and cost-efficient with no compromises on high quality distribution of AV content. The CE840 allows for dual console operation via the two USB ports for USB keyboard and mouse connection and the pushbuttons for switching USB control console between the remote and local end. LEDs on the front panel help indicate which USB control mode that is currently on. Moreover, each unit contains an HDMI output port for local control and the other two USB 2.0 ports for USB peripheral connection. Consequently, operators can acquire data and manage equipment in one location, even from a distance.

The CE840 showcases excellent AV performance with no compression and zero latency. In addition to the support for HDR 10+, the extender is also capable of delivering video signals at up to True 4K (3840 x 2160 @ 60 Hz 4:4:4 and 4096 x 2160 @ 60 Hz 4:4:4) over 100 m. The extender also supports individual stereo audio and HDMI audio formats including LPCM 7.1CH, Dolby TrueHD, Dolby Digital Plus, and DTS-HD Master Audio.

CE840 is an ideal solution for medium to large size applications that require uncompressed AV and control signal extension and remote access and control, including factories, warehouses, data centers, as well as medical and healthcare applications where precise visualization and accurate representation are essential.

Features

- ◆ HDBaseT 3.0 – supports True 4K HDMI, audio, RS232, Ethernet, and USB signal transmission across a long distance via a single Cat 6A cable (ATEN 2L-2920 Cat 6A Cable recommended) or above with no compression and zero latency
- ◆ Superior video quality – supports HDR10+ and video resolutions up to True 4K (3840 x 2160 @ 60 Hz 4:4:4 and 4096 x 2160 @ 60 Hz 4:4:4) over 100 m
- ◆ HDBaseT™ long reach mode up to 1080P @ 150 m*
- ◆ Long reach mode switch – switches between HDBaseT™ Standard and long reach modes in a snap*
- ◆ Dual console operation – control the system via the USB keyboard, mouse and HDMI monitor consoles installed on both the local and remote ends
- ◆ Active console selectable via the pushbutton on the remote unit and local unit - enables USB-based signal control from either the remote or local end, with LEDs indicating the USB control mode
- ◆ Flexible 4 x USB 2.0 extension - each of the remote unit and the local unit contains 2 ports for USB keyboard and mouse connection and 2 ports for other USB peripheral connection
- ◆ Supports individual stereo audio and HDMI audio formats including LPCM 7.1CH, Dolby TrueHD, Dolby Digital Plus, and DTS-HD Master Audio
- ◆ HDCP 2.3 and 2.2 compliant
- ◆ Supports widescreen formats
- ◆ Built-in 8KV/15KV ESD protection
- ◆ Firmware upgradable
- ◆ No software or driver installation required
- ◆ Rack-mountable

Note:

- ◆ The long reach mode is only supported by CE840 using firmware version v1.0.064 or later.
 - ◆ When the long reach mode switch is switched and turned on, the CE840 will reboot itself to activate the long reach mode.
-

Requirements

Local and Remote Consoles

- ◆ An HDMI monitor capable of the highest resolution you will be using on any computer in the installation.
- ◆ A USB keyboard
- ◆ A USB mouse
- ◆ RS-232 serial port (optional)
- ◆ Microphone and speaker ports (optional)

Computers

The following equipment must be installed on each computer that is to be connected to the system:

- ◆ An HDMI port
- ◆ A USB port for the keyboard/mouse
- ◆ RS-232 serial port (optional)
- ◆ Microphone and speaker ports (optional)

Cables

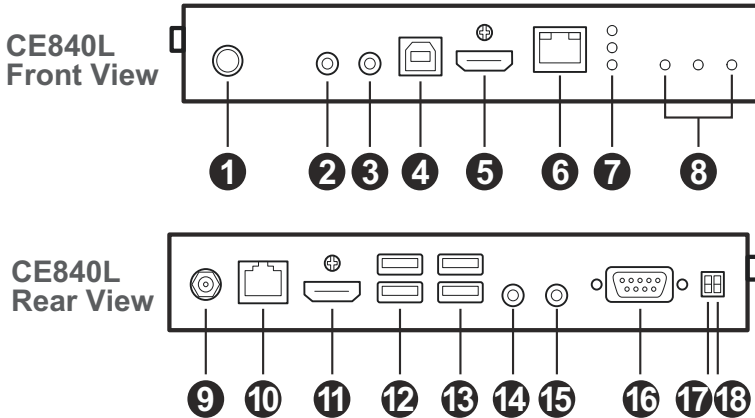
- ◆ For optimal signal integrity, and reducing layout complexity, we strongly recommend that you use the high quality custom cables provided in the package.
- ◆ For more information about suitable Cat 6a or ATEN 2L-2920 Cat 6a cable and setting up HDBaseT devices, refer to the *ATEN HDBaseT Installation Guide*.
- ◆ Maximum Cable Distances

Connection	Distance
Computer to Local Unit (CE840L)	5 m
Local unit (CE840L) to remote unit (CE840R)	100 m*
Remote Unit (CE840R) to monitor	5 m

Note: The maximum transmission distance using a Cat 6a or ATEN 2L-2920 Cat 6a cable is 100m.

Components

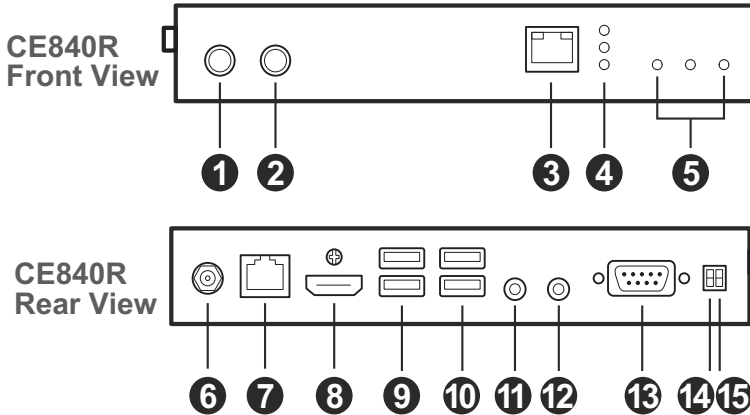
CE840L Front and Rear View



No.	Component	Description
1	auto / local pushbutton (USB control mode)	Press to switch the USB control modes. See <i>USB Control Modes</i> , page 16.
2	audio input port	Receives the microphone connector from the supplied microphone cable which connects to a local computer.
3	audio output port	Receives the speaker connector from the supplied speaker cable which connects to a local computer.
4	USB Type-B port	Receives the USB Type-B connector from the supplied USB Type-A to USB Type-B cable which connects to a local computer.
5	HDMI input port	Receives the HDMI connector from the supplied HDMI cable which connects to a local computer.
6	Ethernet port	Receives a Cat 5e/6/6a cable or an ATEN 2L-2910 cable which connects to a local computer.
7	USB control mode LEDs	Indicates the auto, local, and remote USB control modes status of the CE840L. For more details, see <i>USB Control Modes</i> , page 16.
8	HDMI / link / power LEDs	Indicates the HDMI, link, and power status of the CE840L. For more details, see <i>LED Display</i> , page 15.
9	power jack	Receives the supplied power adapter.
10	HDBaseT output port	Receives a Cat 6a cable or an ATEN 2L-2920 Cat 6a cable which connects to the CE840R unit.

No.	Component	Description
11	HDMI output port	Receives an HDMI cable which connects to the HDMI monitor.
12	USB Type-A ports (USB peripheral)	Receive up to two USB 2.0 devices. Note: The USB control on the USB Type-A ports (USB peripheral) will not be switched when you change the USB control modes.
13	USB Type-A ports (keyboard / mouse)	Receive the console keyboard and mouse. Note: Make sure to connect the console keyboard and mouse here, if you connect the console keyboard and mouse to the USB Type-A ports (USB peripherals), the USB control will not be switched when you change the USB control modes.
14	audio input port	Receives cable from the microphone (pink).
15	audio output port	Receives cable from the speaker (green).
16	RS-232 serial port	Receives an RS-232 serial cable which connects to a local computer.
17	long reach mode switch	Put the switch to ON to enable the long reach mode to transmit HDMI signals up to 150m, at 1080p. For details, see <i>Long Reach Mode</i> , page 17. Note: <ul style="list-style-type: none"> ◆ The long reach mode is only supported by CE840 using firmware version v1.0.064 or later. ◆ When the long reach mode switch is switched and turned on, the CE840 will reboot itself to activate the long reach mode.
18	firmware upgrade switch	This function is reserved for ATEN Technical Support. If you would like to do a firmware upgrade yourself, please contact your dealer.

CE840R Front and Rear View



No.	Component	Description
1	auto / remote pushbutton (USB control mode)	Press to switch the USB control modes. See <i>USB Control Modes</i> , page 16.
2	Wake up PC pushbutton	Press this button to remotely wake up the computer on the local side.
3	Ethernet port	Receives a Cat 5e/6/6a cable or an ATEN 2L-2910 cable which connects to a network switch.
4	USB control mode LEDs	Indicates the auto, remote, and locked USB control modes status of the CE840R. For more details, see <i>USB Control Modes</i> , page 16.
5	HDMI / link / power LEDs	Indicates the HDMI, link, and power status of the CE840R. For more details, see <i>LED Display</i> , page 15.
6	power jack	Receives the supplied power adapter.
7	HDBaseT input port	Receives a Cat 6a cable or an ATEN 2L-2920 Cat 6a cable which connects to the CE840L unit.
8	HDMI output port	Receives an HDMI cable which connects to the HDMI monitor.
9	USB Type-A ports (USB peripheral)	Receive up to two USB 2.0 devices. Note: The USB control on the USB Type-A ports (USB peripheral) will not be switched when you change the USB control modes.
10	USB Type-A ports (keyboard / mouse)	Receive the console keyboard and mouse. Note: Make sure to connect the console keyboard and mouse here, if you connect the console keyboard and mouse to the USB Type-A ports (USB peripherals), the USB control will not be switched when you change the USB control modes.

No.	Component	Description
11	audio input port	Receives cables from the microphone (pink).
12	audio output port	Receives cables from the speaker (green).
13	RS-232 serial port	Receives an RS-232 serial cable which connects to a hardware/software serial control device.
14	long reach mode switch	<p>Put the switch to ON to enable the long reach mode to transmit HDMI signals up to 150m, at 1080p. For details, see <i>Long Reach Mode</i>, page 17.</p> <p>Note:</p> <ul style="list-style-type: none">◆ The long reach mode is only supported by CE840 using firmware version v1.0.064 or later.◆ When the long reach mode switch is switched and turned on, the CE840 will reboot itself to activate the long reach mode.
15	firmware upgrade switch	This function is reserved for ATEN Technical Support. If you would like to do a firmware upgrade yourself, please contact your dealer.

This Page Intentionally Left Blank

Chapter 2

Hardware Setup

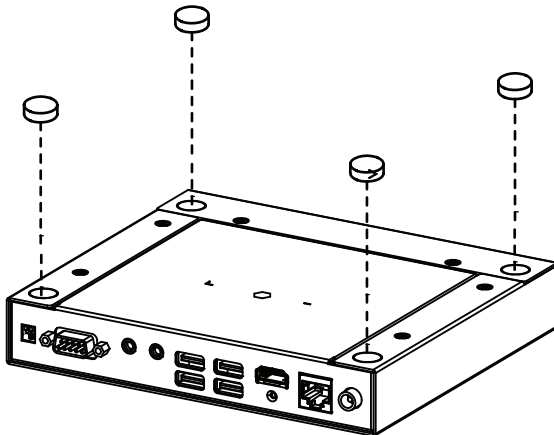


1. Important safety information regarding the placement of this device is provided on page 19. Please review it before proceeding.
2. Make sure that the power to all devices connected to the installation are turned off. You must unplug the power cords of any computers that have the Keyboard Power On function.

Stacking and Rack Mounting

Stacking

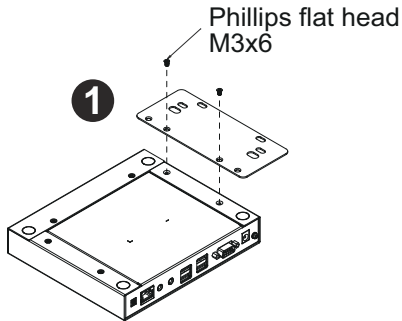
The CE840 can be placed on any appropriate level surface that can safely support its weight plus the weight of its attached cables. To place or stack the CE840, remove the backing material from the bottom of the rubber feet that came with this package, and stick them onto the switch's bottom panel at the corners, as shown in the diagram, below:



Rack Mounting

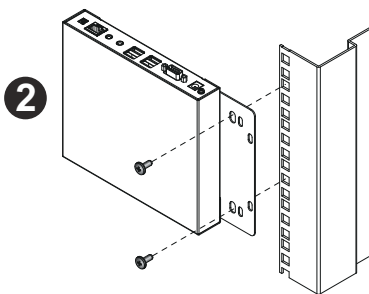
For convenience and flexibility, the CE840 can be mounted on system racks. To rack mount a unit, do the following:

1. Using the screws from the supplied mounting kit, secure the mounting bracket to the top or bottom of the CE840L / CE840R as shown in the diagram below.



2. Use self-prepared screws, secure the mounting bracket to a preferred location on the rack.

Note: Rack screws are not provided. ATEN recommends using M5 Phillips recessed screws.



Optional Rack Mounting

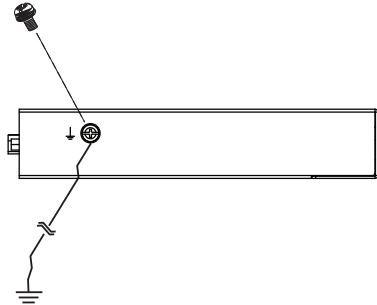
The CE840 can be mounted on 1U system racks using an optional rack mounting kit (VE-RMK1U). For detailed setup instruction, see *VE-RMK1U Installation Guide*.

Installation

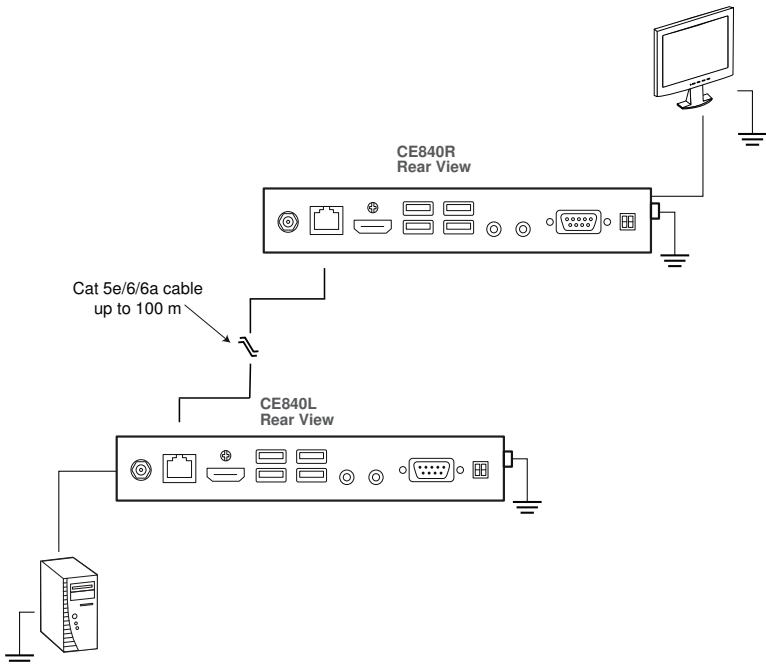
Grounding

To prevent damage to your installation it is important that all devices are properly grounded.

1. Use a grounding wire to ground both units by connecting one end of the wire to the grounding terminal, and the other end of the wire to a suitable grounded object.

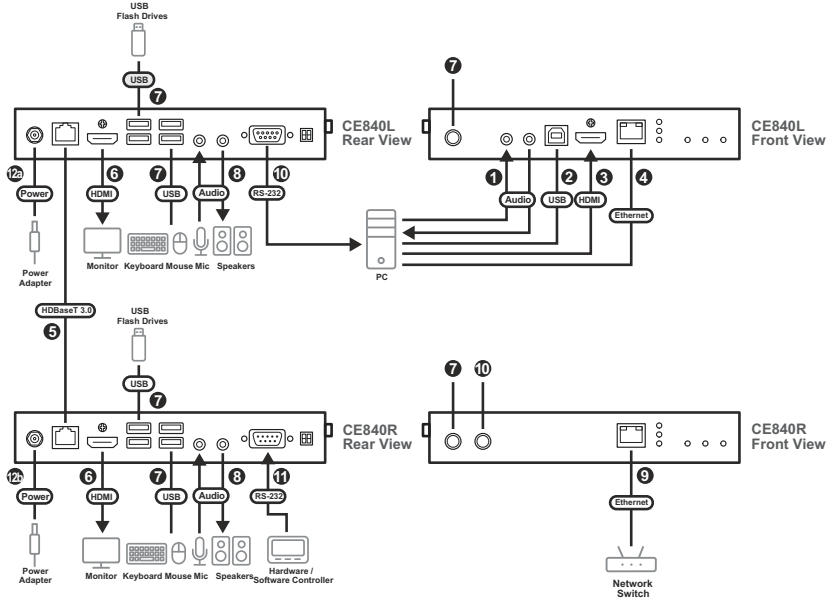


2. Make sure that the computer that connects to the local unit and the monitor that connects to the remote unit are also grounded.



Connecting the Device

Before you proceed with the setup, make sure that all the equipment to be connected is powered off and then follow the procedure below to safely install your devices.



1. Connect one end of the supplied microphone cable to the audio input jack located on the front of the CE840L, and the other end to a local computer. Do the same using the supplied speaker cable for the audio output jack.
2. Connect the supplied USB cable to the USB Type-B port on the CE840L, and the other end to a USB Type-A port on the local computer.
3. Connect the supplied HDMI cable to the HDMI input port on the CE840L, and the other end to a local computer.
4. Connect one end of an Ethernet cable to the Ethernet port on the CE840L, and the other end to a local computer.
5. Connect one end of an Ethernet cable to the HDBaseT output port on the CE840L, and the other end to the HDBaseT input port on the CE840R.
6. Connect up to two HDMI-enabled monitors to the HDMI output ports on the CE840L and CE840R via HDMI cable(s).

7. Connect USB peripherals (keyboard, mouse, flash drive, etc.) into their respective USB Type-A ports on the CE840L and CE840R. To switch to a different control mode, use the auto / local pushbutton (CE840L) and auto / remote pushbutton (CE840R). For more information, see *USB Control Modes*, page 16.
8. Connect the microphone and speakers into their respective audio jacks on the CE840L and CE840R.
9. To provide network access to the PC, connect a network switch to the Ethernet port on the CE840R via an Ethernet cable.
10. To use the wake up PC pushbutton, use an RS-232 serial cable to connect the RS-232 serial port on the CE840L to the local computer.
11. To control a local computer with a serial device, connect the RS-232 serial port on the CE840L to the local computer as illustrated in step 10, and then connect a hardware / software controller to the RS-232 serial port on the CE840R.

Note: The RS-232 serial port supports bi-directional transmission.

12. (a) Connect one of the supplied power adapters into a power source, and then connect the adapter's power cable to the power jack on the CE840L.
(b) Connect the second power adapter into a power source, and then connect the adapter's power cable to the power jack on the CE840R.

This Page Intentionally Left Blank

Chapter 3

Operation

Overview

This chapter provides information on LED indicators and how to use HDBaseT long reach mode.

LED Display

The local and remote units of CE840 have front panel LEDs to indicate their operating status, as shown in the table below:

LED	Indication	Description
Power	Lights green	The system is receiving power.
Link	Lights orange	The connection between the local and remote CE840 is stable.
	Off	The system detects a connection issue between the local and remote CE840.
	Flashes orange	The HDBaseT signal transmission is unstable.
HDMI Out (CE840R only)	Lights orange	The video display normal and secured with HDCP.
	Flashes orange	The video display is normal but not secured with HDCP.
	Off	There is no video activity.
HDMI In (CE840L only)	Lights orange	The video display normal and secured with HDCP.
	Flashes orange	The video display is normal but not secured with HDCP.
	Off	There is no video activity.

USB Control Modes

To switch the USB control to a different mode, use the auto / local pushbutton for auto and local USB control mode switch (CE840L, see *auto / local pushbutton (USB control mode)*, page 4) and auto / remote pushbutton for auto and remote USB control mode switch (CE840R, *auto / remote pushbutton (USB control mode)*, page 6). The LEDs status and the mode behaviors are explained in the table below.

Note: Only the USB control on the USB Type-A ports (keyboard / mouse) will be switched when you change the USB control modes.

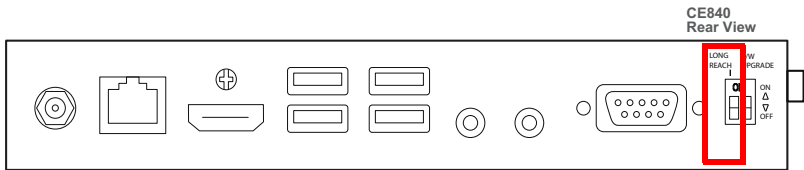
USB Control Modes	Description
Auto	Lights orange to indicate the unit is in auto mode. The unit owns the USB control in a first come first served order. If both the local and remote units are operating the keyboard and mouse at the same time, the local unit has higher priority and owns the USB control.
Local (CE840L only)	Lights orange to indicate the unit is in local mode. Only the CE840L owns the USB control. Under this mode, the remote unit is locked and has no USB control, and the Locked LED lights orange.
Remote	Lights orange to indicate the unit is in remote mode. Only the CE840R owns the USB control. Under this mode, even though the remote unit owns the USB control, the local unit can still force to take over the USB control by pressing the auto / local pushbutton.
Locked (CE840R only)	Lights orange to indicate the unit is in locked mode. The CE840R has no USB control. Under this mode, the local unit owns the USB control, and the USB control cannot be overturned by the remote unit.

Long Reach Mode

The long reach mode switch on the rear of the CE840 provides long-reach connectivity up to 150 m, and resolutions up to 1080p. To use this feature, put the long reach mode switch to **ON** on either the remote or the local unit of the CE840.

Note:

- ◆ The long reach mode is only supported by CE840 using firmware version v1.0.064 or later.
- ◆ When the long reach mode switch is switched and turned on, the CE840 will reboot itself to activate the long reach mode.



This Page Intentionally Left Blank

Safety Instructions

General

- ◆ Read all of these instructions. Save them for future reference.
- ◆ Follow all warnings and instructions marked on the device.
- ◆ This product is for indoor use only.
- ◆ Do not place the device on any unstable surface (cart, stand, table, etc.). If the device falls, serious damage will result.
- ◆ Do not use the device near water.
- ◆ Do not place the device near, or over, radiators or heat registers.
- ◆ The device cabinet is provided with slots and openings to allow for adequate ventilation. To ensure reliable operation, and to protect against overheating, these openings must never be blocked or covered.
- ◆ The device should never be placed on a soft surface (bed, sofa, rug, etc.) as this will block its ventilation openings. Likewise, the device should not be placed in a built in enclosure unless adequate ventilation has been provided.
- ◆ Never spill liquid of any kind on the device.
- ◆ Unplug the device from the wall outlet before cleaning. Do not use liquid or aerosol cleaners. Use a damp cloth for cleaning.
- ◆ The device should be operated from the type of power source indicated on the marking label. If you are not sure of the type of power available, consult your dealer or local power company.
- ◆ To prevent damage to your installation, it is important that all devices are properly grounded.
- ◆ Do not allow anything to rest on the power cord or cables. Route the power cord and cables so that they cannot be stepped on or tripped over.
- ◆ Position system cables and power cables carefully; Be sure that nothing rests on any cables.
- ◆ Never push objects of any kind into or through cabinet slots. They may touch dangerous voltage points or short out parts resulting in a risk of fire or electrical shock.
- ◆ Do not attempt to service the device yourself. Refer all servicing to qualified service personnel.

- ◆ If the following conditions occur, unplug the device from the wall outlet and bring it to qualified service personnel for repair.
 - ◆ The power cord or plug has become damaged or frayed.
 - ◆ Liquid has been spilled into the device.
 - ◆ The device has been exposed to rain or water.
 - ◆ The device has been dropped, or the cabinet has been damaged.
 - ◆ The device exhibits a distinct change in performance, indicating a need for service.
 - ◆ The device does not operate normally when the operating instructions are followed.
- ◆ Only adjust those controls that are covered in the operating instructions. Improper adjustment of other controls may result in damage that will require extensive work by a qualified technician to repair.

Mounting

- ◆ Before working on the rack, make sure that the stabilizers are secured to the rack, extended to the floor, and that the full weight of the rack rests on the floor. Install front and side stabilizers on a single rack or front stabilizers for joined multiple racks before working on the rack.
- ◆ Always load the rack from the bottom up, and load the heaviest item in the rack first.
- ◆ Make sure that the rack is level and stable before extending a device from the rack.
- ◆ Use caution when pressing the device rail release latches and sliding a device into or out of a rack; the slide rails can pinch your fingers.
- ◆ After a device is inserted into the rack, carefully extend the rail into a locking position, and then slide the device into the rack.
- ◆ Do not overload the AC supply branch circuit that provides power to the rack. The total rack load should not exceed 80 percent of the branch circuit rating.
- ◆ Make sure that all equipment used on the rack – including power strips and other electrical connectors – is properly grounded.
- ◆ Ensure that proper airflow is provided to devices in the rack.
- ◆ Ensure that the operating ambient temperature of the rack environment does not exceed the maximum ambient temperature specified for the equipment by the manufacturer.
- ◆ Do not step on or stand on any device when servicing other devices in a rack.

Technical Support

International

- ◆ For online technical support – including troubleshooting, documentation, and software updates: **<http://eservice.aten.com>**
- ◆ For telephone support, see *Telephone Support*, page iv.

North America

Email Support		support@aten-usa.com
Online Technical Support	Troubleshooting Documentation Software Updates	http://www.aten-usa.com/support
Telephone Support		1-888-999-ATEN ext 4988

When you contact us, please have the following information ready beforehand:

- ◆ Product model number, serial number, and date of purchase.
- ◆ Your computer configuration, including operating system, revision level, expansion cards, and software.
- ◆ Any error messages displayed at the time the error occurred.
- ◆ The sequence of operations that led up to the error.
- ◆ Any other information you feel may be of help.

Specifications

Function	CE840L	CE840R
Connectors		
Console Ports	1 x HDMI (Female, Black) 4 x USB Type-A (Female, White)* 1 x Mini Stereo Jack (Female, Green) 1 x Mini Stereo Jack (Female, Pink) Note: 2 x USB Type-A ports for keyboard & mouse use, 2 x USB Type-A ports for other USB 2.0 peripherals.	1 x HDMI (Female, Black) 4 x USB Type-A (Female, White)* 1 x Mini Stereo Jack (Female, Green) 1 x Mini Stereo Jack (Female, Pink) 1 x GbE (RJ-45 Female, Black) Note: 2 x USB Type-A ports for keyboard & mouse use, 2 x USB Type-A ports for other USB 2.0 peripherals.
KVM Ports	1 x HDMI (Female, Black) 1 x USB Type-B (Female, White) 1 x Mini Stereo Jack (Female, Green) 1 x Mini Stereo Jack (Female, Pink) 1 x GbE (RJ-45 Female, Black)	N/A
RS-232	1 x DB-9 Female (Black)	1 x DB-9 Male (Black)
Power	1 x DC Jack (Black)	
Unit to Unit	1 x RJ-45 Female (Black, HDBaseT)	
Video		
Max. Data Rate	18 Gbps (6 Gbps per lane)	
Max. Pixel Clock	600 MHz	
Compliance	HDMI (Deep Color, 4K / 60 Hz): 4K HDR+ HDCP 2.3 Compatible Consumer Electronics Control (CEC)* Note: The CEC signals are only bypassed from the local unit to the remote unit and do not support local HDMI console output.	HDMI (Deep Color, 4K / 60 Hz): 4K HDR+ HDCP 2.3 Compatible Consumer Electronics Control (CEC)
Max. Resolution	4096 x 2160 @ 60 Hz (4:4:4) 3840 x 2160 @ 60 Hz (4:4:4)	

Function	CE840L	CE840R
Max. Resolution / Distance	4K x 2K @ 60 Hz (4:4:4) up to 100 m (HDBaseT3 Certified Cat 6a U/FTP cable or above / ATEN 2L-2920 Cat 6a cable) 4K x 2K @ 30 Hz (4:4:4) up to 50 m (HDBaseT Certified Cat 6 cable / ATEN 2L-2910 cable)	
LEDs		
Power	1 (Green)	
Link	1 (Orange)	
Video	1 x HDMI IN (Orange)	1 x HDMI OUT (Orange)
Console Status	3 x Local USB Keyboard / Mouse Authority Indicator (Green)	3 x Remote USB Keyboard / Mouse Authority Indicator (Green)
Switches		
Long Reach Mode Switch	1 x Slide Switch	
Firmware Upgrade	1 x Slide Switch	
Pushbuttons		
Wakeup Button	N/A	1 x Pushbutton
Operating Mode Selection	1 x Local USB Keyboard / Mouse Authority Switch	1 x Remote USB Keyboard / Mouse Authority Switch
Power Consumption	DC12V:7.36W:60BTU/h	DC12V:7.37W:60BTU/h
	Note: <ul style="list-style-type: none"> ◆ The measurement in Watts indicates the typical power consumption of the device with no external loading. ◆ The measurement in BTU/h indicates the power consumption of the device when it is fully loaded. 	
Environmental		
Operating Temp	0–40° C	
Storage Temp.	-20–60° C	
Humidity	0–80% RH, Non-condensing	
Physical Properties		
Housing	Metal	
Weight	0.82 kg (1.81 lb)	0.81 kg (1.78 lb)
Dimensions (L x W x H)	17.82 x 15.60 x 2.88 cm (7.02 x 6.14 x 1.13 in)	

ATEN Standard Warranty Policy

Limited Hardware Warranty

ATEN warrants its hardware in the country of purchase against flaws in materials and workmanship for a Warranty Period of two [2] years (warranty period may vary in certain regions/countries) commencing on the date of original purchase. This warranty period includes the [LCD panel of ATEN LCD KVM switches](#). For UPS products, the device warranty is two [2] years but battery is one [1] year. Select products are warranted for an additional year (see [A+ Warranty](#) for further details). Cables and accessories are not covered by the Standard Warranty.

What is covered by the Limited Hardware Warranty

ATEN will provide a repair service, without charge, during the Warranty Period. If a product is defective, ATEN will, at its discretion, have the option to (1) repair said product with new or repaired components, or (2) replace the entire product with an identical product or with a similar product which fulfills the same function as the defective product. Replaced products assume the warranty of the original product for the remaining period or a period of 90 days, whichever is longer. When the products or components are replaced, the replacing articles shall become customer property and the replaced articles shall become the property of ATEN.

To learn more about our warranty policies, please visit our website:
<http://www.aten.com/global/en/legal/policies/warranty-policy/>

© Copyright 2024 ATEN® International Co., Ltd.
Released: 2024-05-06

ATEN and the ATEN logo are registered trademarks of ATEN International Co., Ltd. All rights reserved. All other brand names and trademarks are the registered property of their respective owners.