

■ Features :

- Wide 2:1 Dc input range
- Protections:Short circuit/Over load/Over voltage
- Cooling by free air convection
- Only PCB on board purpose
- LED indicator for power on
- Fixed switching frequency at 33KHz
- 2 years warranty

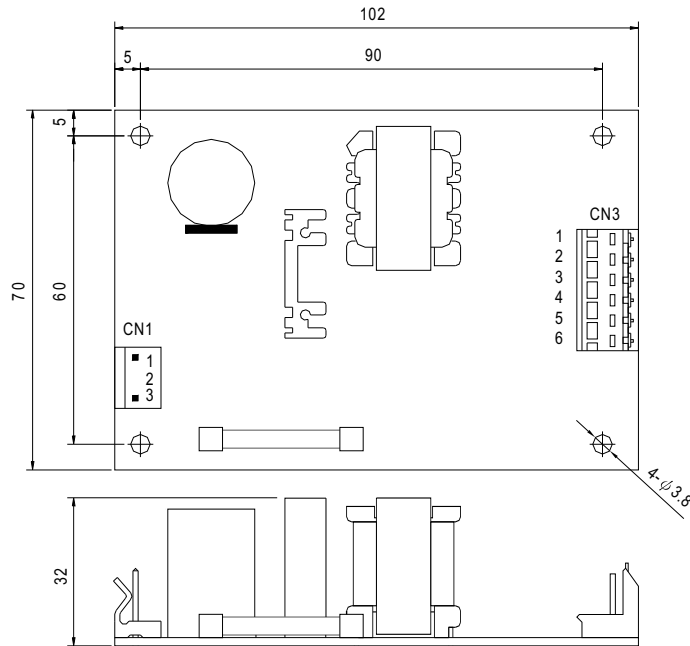
SPECIFICATION

| MODEL | CH1 | CH2 | |
|------------------------|--|---|---------|
| OUTPUT | DC VOLTAGE | 5V | -5V |
| | RATED CURRENT | 3A | 1A |
| | CURRENT RANGE | 0.6 ~ 3A | 0 ~ 1A |
| | RATED POWER | 20W | |
| | RIPPLE & NOISE (max.) Note.2 | 50mVp-p | 80mVp-p |
| | VOLTAGE ADJ. RANGE | Constant voltage output | |
| | VOLTAGE TOLERANCE Note.3 | +4,-0% | ±5.0% |
| | LINE REGULATION | ±1.0% | ±1.0% |
| | LOAD REGULATION | ±1.0% | ±2.0% |
| SETUP, RISE, HOLD TIME | 800ms, 50ms/48VDC at full load | | |
| INPUT | VOLTAGE RANGE | 36 ~ 72VDC | |
| | FREQUENCY RANGE | DC | |
| | EFFICIENCY(Typ.) | 68% | |
| | DC CURRENT | 0.8A/48V | |
| | INRUSH CURRENT(max.) | COLD START 10A/48VDC | |
| PROTECTION | OVER LOAD | 105 ~ 150% rated output power Protection type : Hiccup mode, recovers automatically after fault condition is removed | |
| | OVER VOLTAGE | CH1: 5.6 ~ 6.3V Protection type : Hiccup mode, recovers automatically after fault condition is removed | |
| ENVIRONMENT | WORKING TEMP. | 0 ~ +60°C (Refer to output load derating curve) | |
| | WORKING HUMIDITY | 20 ~ 90% RH non-condensing | |
| | STORAGE TEMP., HUMIDITY | -20 ~ +85°C, 10 ~ 95% RH | |
| | TEMP. COEFFICIENT | ±0.05%/°C (0 ~ 50°C)on CH1 output | |
| SAFETY & EMC | VIBRATION | 10 ~ 500Hz, 2G 10min./1cycle, Period for 60min.each along X, Y, Z axes | |
| | WITHSTAND VOLTAGE | I/P-O/P:2KVAC/1min., Cut OFF current=20mA max.(at room temperature) | |
| OTHERS | ISOLATION RESISTANCE | I/P-O/P:10M Ohms/500VDC | |
| | DIMENSION | 102*70*32mm (L*W*H) | |
| NOTE | PACKING | 0.2Kg; 81pcs/16.2Kg/1.2CUFT | |
| | 1. All parameters NOT specially mentioned are measured at 48VDC input, rated load and 25°C of ambient temperature. 2. Ripple & noise are measured at 20MHz of bandwidth by using a 12" twisted pair-wire terminated with a 0.1uf & 47uf parallel capacitor. 3. Tolerance : includes set up tolerance, line regulation and load regulation. 4. The input can be applied with correct polarity(+/-) or reverse polarity(-/+). | | |



Mechanical Specification

Unit:mm



DC Input Connector (CN1) : Molex 5273-03 or equivalent

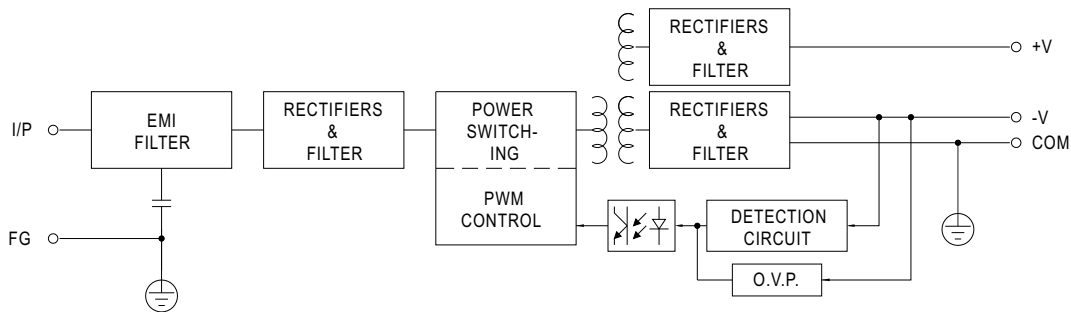
| Pin No. | Assignment | Mating Housing | Terminal |
|---------|-------------|--------------------------|--------------------------|
| 1 | DC input -V | Molex 5195 or equivalent | Molex 5194 or equivalent |
| 2 | No Pin | | |
| 3 | DC input +V | | |

DC Output Connector (CN3) : Molex 8619-06 or equivalent

| Pin No. | Assignment | Mating Housing | Terminal |
|---------|------------|---------------------------|--------------------------|
| 1,2 | +V | Molex 90331 or equivalent | Molex 8993 or equivalent |
| 3,4 | COM | | |
| 5 | -V | | |
| 6 | NC | | |

Block Diagram

fosc : 33KHz



Output Derating

