

Supervisor Smart 2-port

User Guide



International HQ

Jerusalem, Israel

Tel: + 972 2 535 9666

minicom@minicom.com

North American HQ

Linden, New Jersey

Tel: + 1 908 4862100

info.usa@minicom.com

European HQ

Dübendorf, Switzerland

Tel: + 41 1 823 8000

info.europe@minicom.com

Italy

Rome

Tel: + 39 06 8209 7902

info.italy@minicom.com

Table of Contents

Introduction	2
Features of the Smart 2	2
Installing the Smart 2 system	4
Connecting cables to the front panel.....	4
Connecting a Power adapter.....	4
Connecting cables to the Smart 2 back panel.....	5
Operating the Smart 2.....	7
Switching between computers.....	7
Scanning computers	8
The Settings mode.....	8
Setting the scan time period.....	9
Changing the hotkey	9
Making advanced adjustments.....	9
Replacing a computer	10
Keyboard settings when replacing a computer.....	10
Mouse settings when replacing a computer	11
Resetting the Smart 2	11
Viewing the settings	12
Exiting the Settings mode	12
Summary of the settings mode operations.....	13
Technical Specifications.....	14

Introduction

Minicom Advanced Systems Ltd (Minicom) is a leading manufacturer of KVM switches for multiple server control. Minicom also manufactures interactive systems for Computer Equipped Learning Environments. It is also the world leader in the development and deployment of cutting edge CAT5 technology.

The Supervisor Smart 2-Port (Smart 2) from Minicom is a Keyboard Video Mouse (KVM) switch. With the Smart 2 you can access, monitor and control two computers from a single KVM workstation.

This kit contains:

- 1 x Supervisor Smart 2-Port unit
- 2 x VGA HD15M/F cables
- 2 x Keyboard/Mouse MiniDIN6M cables

Features of the Smart 2

- Pure hardware Plug and Play
- Ideal solution for small and home office (SOHO) environments
- Scan function
- Can be operated from the unit or the keyboard
- Eliminates excess equipment
- Full keyboard and mouse emulation for connected computers
- Microsoft Intellimouse and Wheel mouse support
- The two computers can have different operating systems.

Figure 1 illustrates the basic configuration of the Smart 2 System.

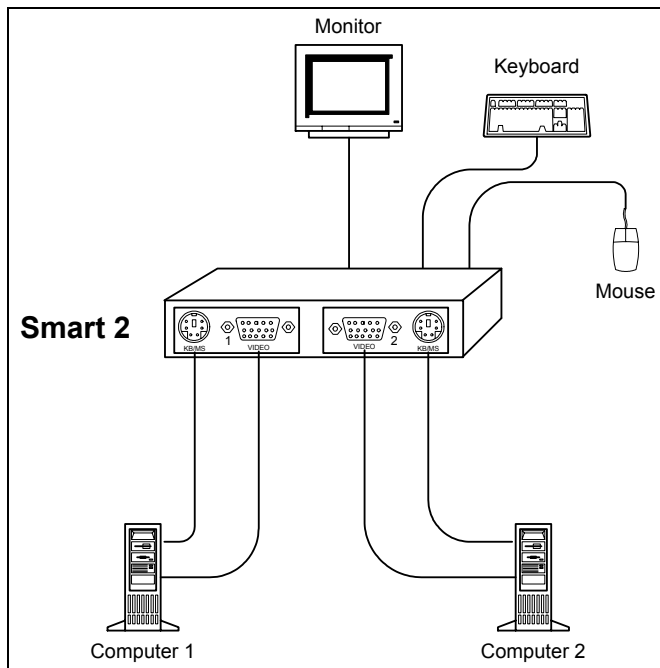


Figure 1 The Smart 2 configuration

Installing the Smart 2 system

Before installing the system do the following:

- Switch off both computers.
- Place cables away from fluorescent lights, air conditioners, and machines that are likely to generate electrical noise.

Connecting cables to the front panel

Connect a keyboard, screen and mouse to the front panel using their existing cables.

Connecting a Power adapter

The Smart 2 receives its power from the connected computers and should not need a Power adapter. If the Smart 2 does not receive enough power from the computers, connect a Power adapter to the front panel.

Use a Minicom Power adapter P/N 5PS20025. The power supply specifications are: Regulated 6VDC 2 Amp, minus on

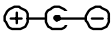
internal pin  .

Figure 2 illustrates the front panel connections.

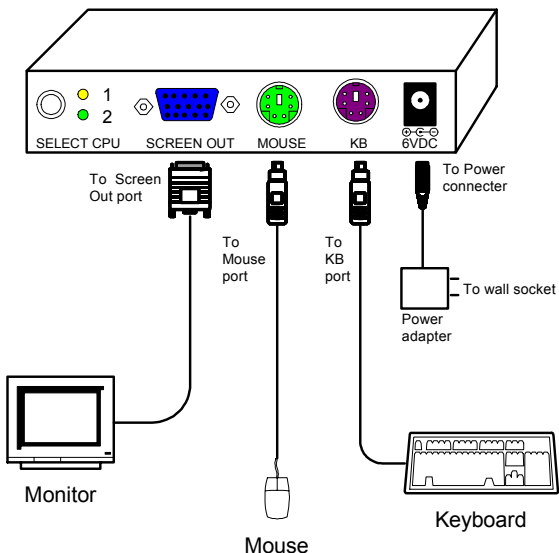


Figure 2 The Smart 2 front panel connections

Connecting cables to the Smart 2 back panel

Important! Always connect the front panel connections before the back panel connections.

Connect the following to the Smart 2 back panel:

- The 2 VGA cables
- The 2 Keyboard/Mouse cables

Figure 3 illustrates the connections of the VGA and Keyboard/Mouse cables to the Smart 2 back panel.

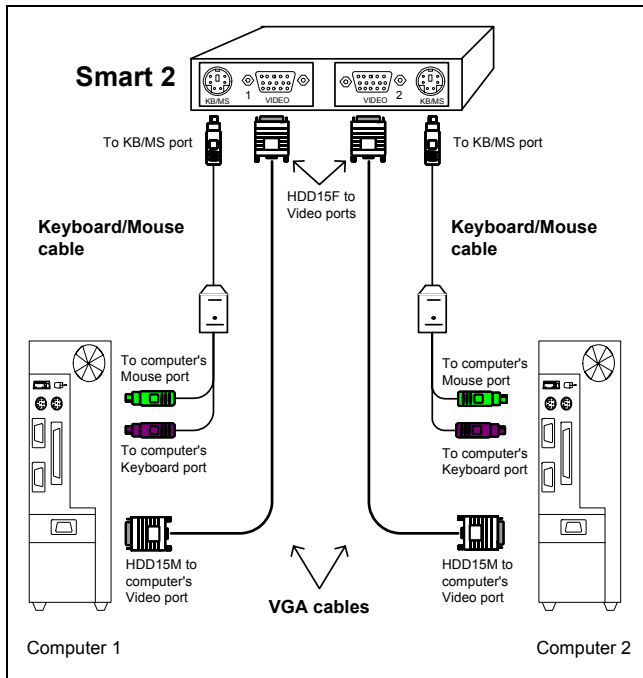


Figure 3 The Smart 2 back panel connections

Operating the Smart 2

To prepare the system for operation:

1. Connect the cables to the front panel.
2. Connect the cables to the back panel.
3. Switch on the computers.

Switching between computers

There are two ways to switch between computers.

1. Press the button on the front panel of the Smart 2.
2. On the keyboard, press the hotkey **Shift** then, + or -. Release **Shift**, before pressing + or -.

Note! With a US English keyboard you can use the +/- key of the alphanumeric section or of the numeric keypad. With a Non-US English keyboard only use the +/- key of the numeric keypad.

When switching computers the illuminated LED on the front panel indicates which computer is currently being accessed.

Scanning computers

The Smart 2 can scan the two connected computers at intervals of between 1 and 99 seconds. The default time period is 0 seconds (disabled) – change this in the Settings mode see the paragraph below. During scanning you cannot work on the computers.

To scan computers:

Press the hotkey **Shift** then, **S**. Release **Shift** before pressing **S**. The scan activates.

To end scanning:

Press **Esc**.

The Settings mode

Enter the Settings mode to:

- Set the scan time interval
- Change the hotkey
- Make advanced adjustments
- View settings

To enter the Settings mode:

Press **Shift** then, **Tab**. Release **Shift** before pressing **Tab**. All 3 keyboard LEDs glow when in the Settings mode.

Setting the scan time period

To set the scan time period:

Press **T** followed by a 2-digit time period of between 01-99 seconds. The 3 keyboard LEDs blink and the new setting is now functional.

Changing the hotkey

You can change the hotkey from **Shift** to **Alt** or **Ctrl**. Once changed, all references in this Guide to **Shift** now refer to the new hotkey.

To change the hotkey:

To	Type the letters
Alt	HA
Ctrl	HC
Shift	HS

Making advanced adjustments

The Smart 2 operates with:

- Windows, Linux, HP UX, Alpha UNIX or SGI systems
- 2 or 3 button PS/2 mouse, Intellimouse, Wheel mouse or 5-button mouse

When connected and switched on as set out above, the Smart 2 automatically operates with the computer and mouse types connected to it.

Replacing a computer

When a computer is replaced with a different computer type while the Smart 2 is in use, we recommend turning the new computer off before connecting it to the Smart 2.

When turning the computers off is inconvenient, do the following:

In the Settings mode adjust the keyboard and mouse to be compatible with the new computer. See the tables below.

Keyboard settings when replacing a computer

For	Type the letters
PC (Windows, Linux)	PC
HP UX	U1
Alpha UNIX, SGI	U2

Set keyboard settings to:

- **PC** when operating Intel based computers.
- **U1** when operating HP UX computer.
- **U2** when operating Alpha UNIX, SGI or Open VMS computers.

Mouse settings when replacing a computer

For	Type the letters
5-button mouse	EP
Wheel mouse, or Intellimouse	IN
2 or 3-button mouse	PS

Set mouse settings to **EP** when operating computers with Operating Systems that support wheel mouse functionality: (Windows XP).

Set mouse settings to **IN** when operating computers with Operating Systems that support wheel mouse functionality: (Windows – 98, ME, 2000, or Linux).

Set mouse settings to **PS** when operating computers with Operating Systems that don't support wheel mouse functionality: (Windows 95, NT4, DOS, Linux, UNIX or Novell).

Resetting the Smart 2

To reset the Smart 2:

Press and hold the Switching button for more than 5 seconds. Release the Switching button after your monitor blinks once.

Viewing the settings

View the settings and firmware revision in any text editor.

To view the settings:

1. Before entering to the Settings mode switch your keyboard layout to English.
2. Open any text editor, e.g. Notepad.
3. Press **Shift, Tab** to enter the Settings mode.
4. Press **F**. The settings appear in the text editor.

Exiting the Settings mode

To save changes and exit the Settings mode:

Press **Esc**.

Summary of the settings mode operations

The table below sets out the Settings mode operations.

Operation	Press
Enter Settings mode	Shift, Tab
Exit and save changes	Esc
Set the scan time period	T, xx (00-99)
Change Hotkey to Alt	HA
Change Hotkey to Ctrl	HC
Change Hotkey to Shift	HS
Mouse setting - 5-button mouse	EP
Mouse setting - Wheel mouse or Intellimouse	IN
Mouse setting – 2/3-button mouse	PS
Keyboard setting – PC	PC
Keyboard setting -HP UNIX	U1
Keyboard setting –Alpha UNIX	U2
View Status Report	F

Technical Specifications

Resolution	Up to 1920 x 1440@75 Hz
Video Signal	Analog Signal: Red Green Blue 0.7Vp-p / 75Ω positive, HD15
Video Sync	TTL Compatible positive/negative
Keyboard	PS/2 type, MiniDIN6
Mouse	Microsoft Intellimouse, Wheel mouse, 5-button mouse, PS/2 type mouse. MiniDIN6
Computer types	Intel, Alpha compatible
Operating Systems	Windows - 3.1, 9x, 2000, ME, NT4, SGI, Novell, DOS, Linux, HP UX, Alpha UNIX, Open VMS, True64, QNX, FreeBSD, BeOS.
Screens	VGA, SVGA, XGA
Dimensions	25 mm x 75 mm x 125mm
Weight	240g
Power consumption	60mA
Optional power supply	DC adapter 6V 2A
Operating temperature	0 ⁰ C to 40 ⁰ C
Storage temperature	-40 ⁰ C to 70 ⁰ C