

# ClassPerfect

## Quick Installation Guide



---

---

**International HQ**

Jerusalem, Israel

Tel: + 972 2 535 9666  
minicom@minicom.com

**North American HQ**

Linden, New Jersey

Tel: + 1 908 4862100  
info.usa@minicom.com

**German Europe**

Zurich, Switzerland

Tel: + 41 1 455 6220  
info.german@minicom.com

**Italy**

Rome

Tel: + 39 06 8209 7902  
info.italy@minicom.com

## 1. What is the ClassPerfect system?

The ClassPerfect system combines real time multimedia broadcasting with multi-functional, network based, classroom control.

The ClassPerfect can run heavy multimedia applications that no network structure can support, thus freeing up valuable network resources.

The ClassPerfect system consists of the following Hardware (HW) and software components:

- Broadcaster Unit + Control Unit
- 4 Remote Dongles connect to each remote screen/computer
- ClassPerfect software + AVI cable.

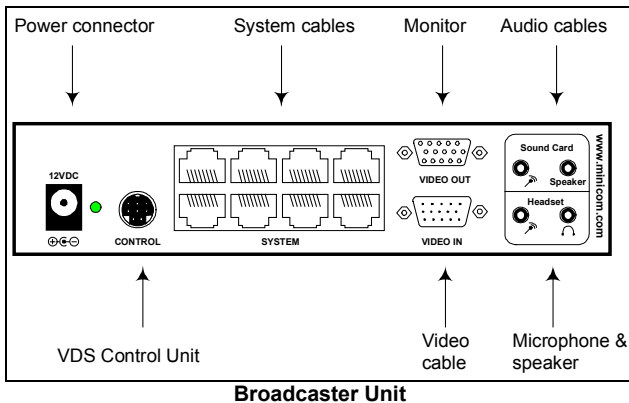
The Quick Installation Guide explains how to install and operate the hardware.

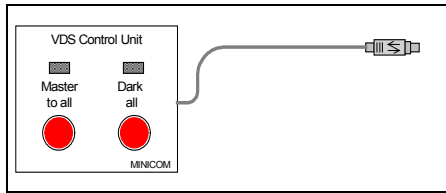
To install and operate the ClassPerfect software, see the softcopy ClassPerfect User Guide.

Shielded CAT5 FTP cables connect the ClassPerfect system. The Remote Dongles can be up to 150m/500ft away from the Broadcaster.

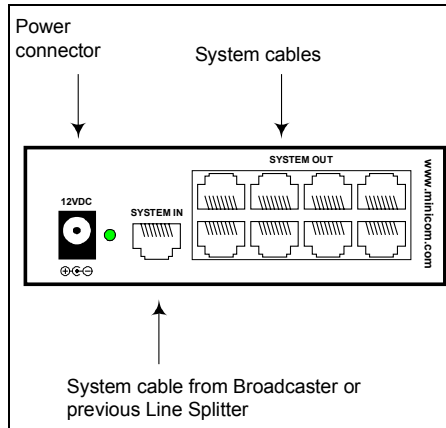
## 2. The HW ClassPerfect units

The figures below illustrate the Broadcaster Unit, Line Splitter and Remote Dongles.

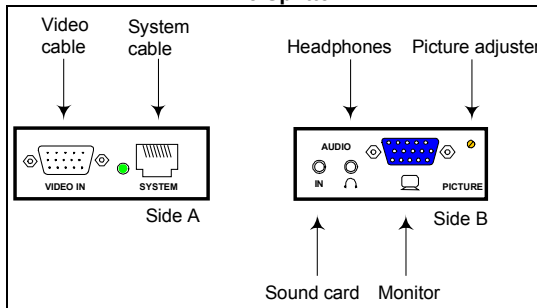




**Control Unit**



**Line Splitter**



**Remote Dongle**

### 3. Expanding the HW ClassPerfect system

You can expand the HW ClassPerfect system to 64 Remote Dongles. This is done by having up to 2 levels of Line Splitters. Each Line Splitter on level 1 can have 8 Remote Dongles or Line Splitters connected to it. Each Line Splitter on level 2 can have 8 Remote Dongles connected to it. (See the configuration diagram on page 4).

# CLASSPERFECT ( HARDWARE )

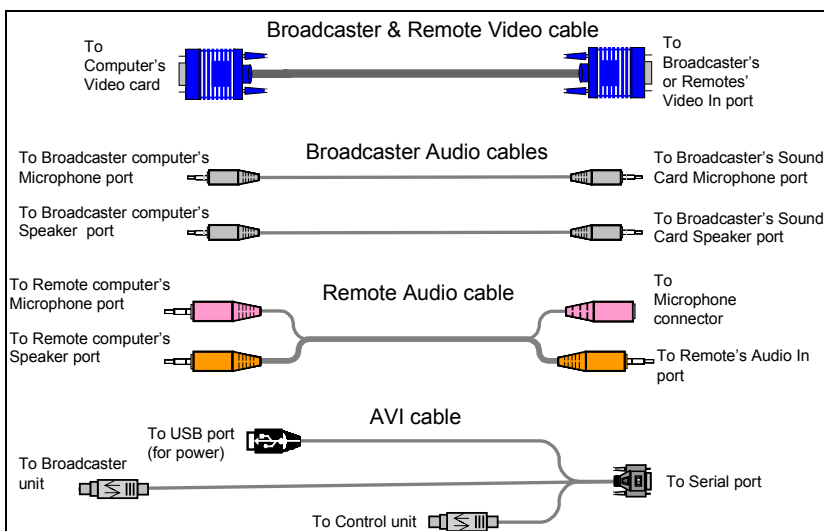
## 4. Pre-installation instructions

Note! In the HW ClassPerfect system the CAT5 cables carry electrical power. Therefore do **NOT** connect them to any other device. To avoid this we recommend you attach the stickers provided to the ends of each CAT5 cable.

Place cables away from fluorescent lights, air conditioners, and machines that are likely to generate electrical noise.

## 5. The HW ClassPerfect cables

The HW ClassPerfect cables are illustrated below.

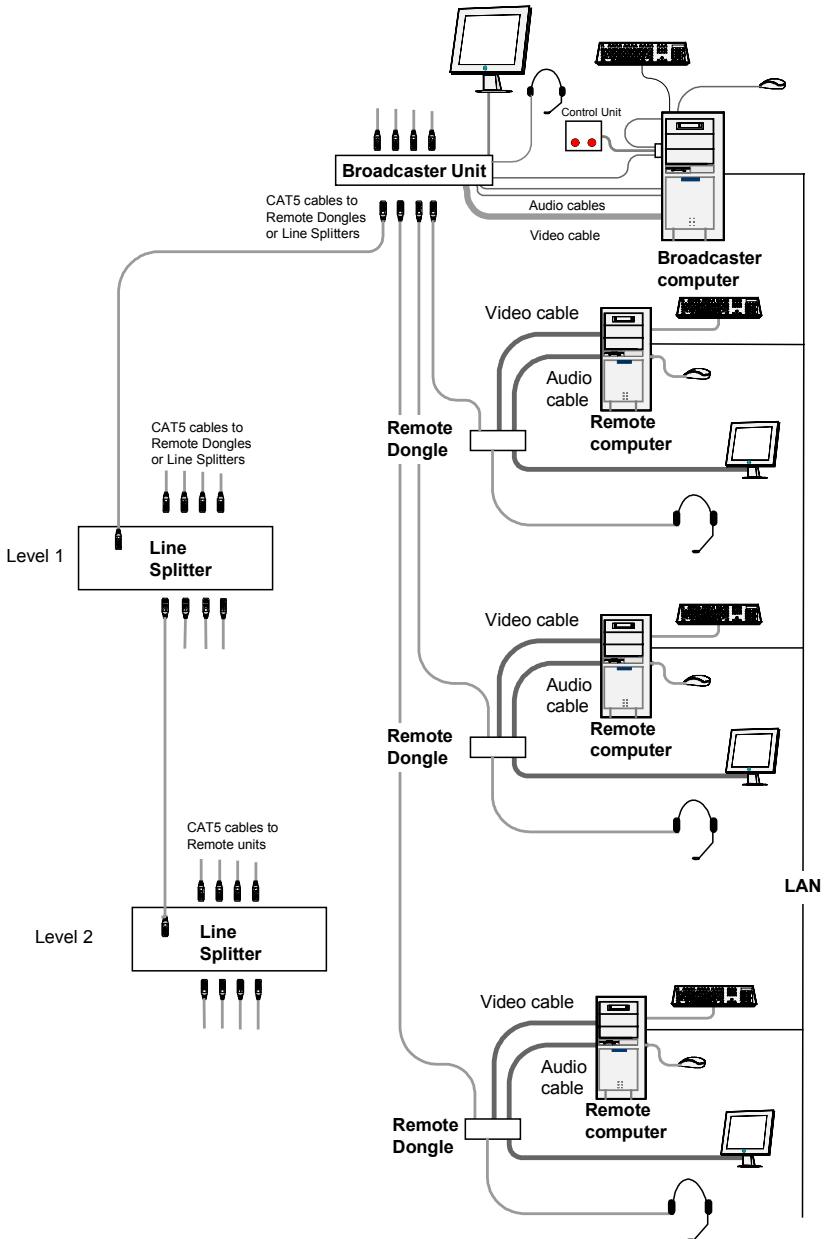


## Power supply

Connect the Broadcaster and Line Splitters to the power supply with the 12 VDC, 2A from the AC/DC adapter provided. The Remote Dongles receive 12 VDC, 160 mA via the CAT5 cables from the Broadcaster or Line Splitter.

## 6. The HW ClassPerfect configuration

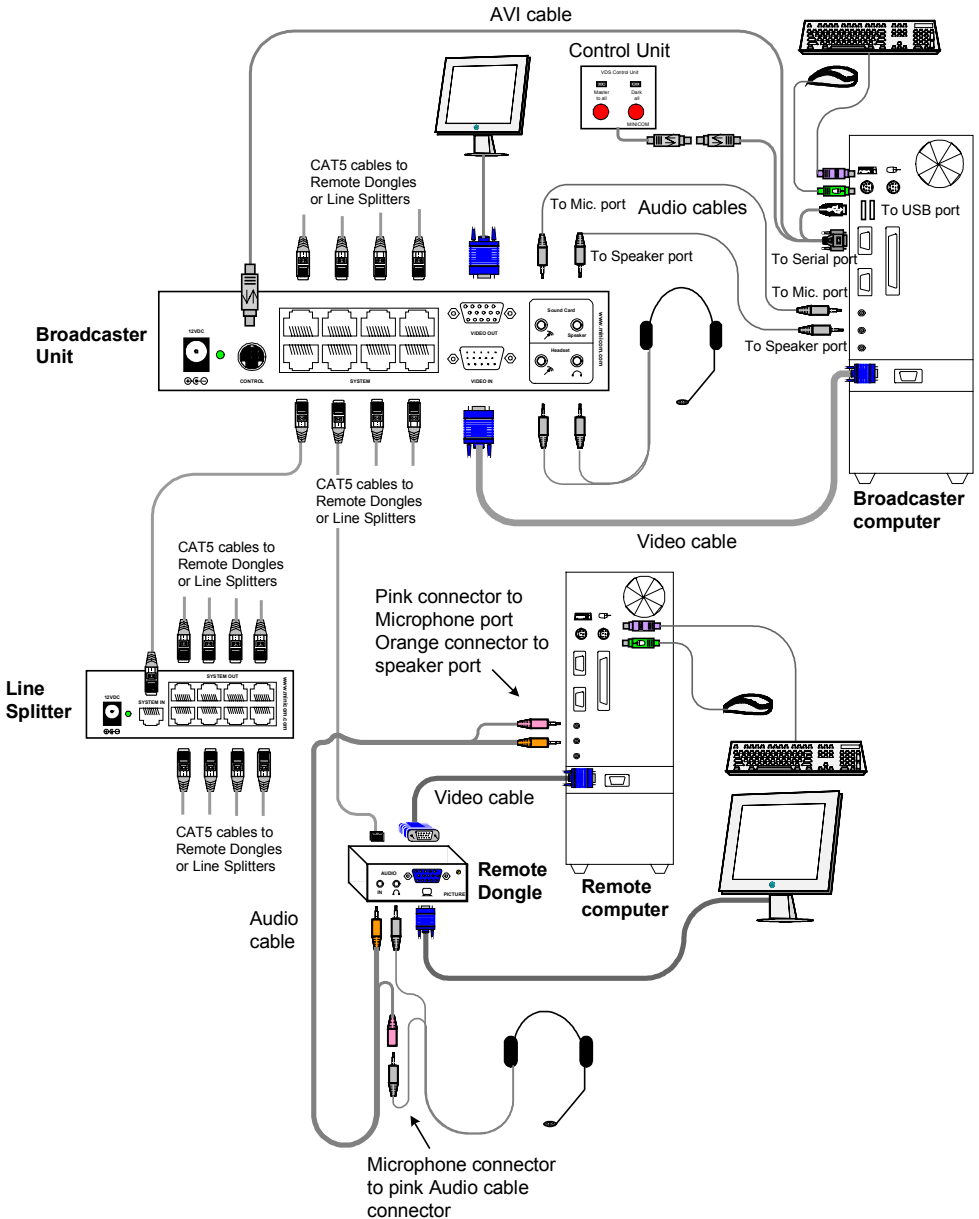
The figure below illustrates the HW ClassPerfect configuration.

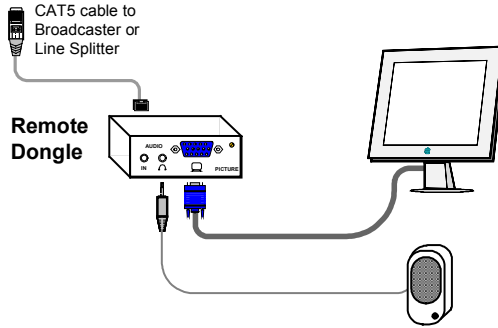


# CLASSPERFECT ( HARDWARE )

## 7. HW ClassPerfect detailed connections

The figure below illustrates the detailed connections of the HW ClassPerfect units.





## 8. Operating the HW ClassPerfect system

Operate the HW ClassPerfect system with the Control Unit. The Control Unit performs the following functions:

### Master to all

Press the **Master to all** button to send the teacher's screen with audio to all remote screens /speakers. The LED above the button lights up.

Press the button again to release the remote screens/speakers.

When the broadcast screen needs adjusting, use a small screwdriver to turn the Picture adjuster on the Remote Dongle.

### Dark all

Press the **Dark all** button to darken all remote screens. The LED above the button lights up. (This does not affect audio broadcasting).

Press the button again to release the remote screens.

### ClassPerfect software

The above 2 functions can also be performed from the ClassPerfect software program. See the softcopy ClassPerfect User Guide for these and many other ClassPerfect functions.

## 12. Technical specifications

### SYSTEM

<b>Resolution</b>	Up to 1600x1200 @ 75 Hz
<b>System cable</b>	Shielded CAT5 FTP cable
<b>Max distance</b>	150m/500ft
<b>Input/Output Video Signals</b>	Analog signal red, green, blue 0.7v p-p 75 Ohm
<b>Sync.</b>	TTL compatible
<b>Horizontal/Vertical Sync. Polarity</b>	Positive/Negative
<b>Audio</b>	Mono
<b>Operating Temperature</b>	Up to 50°C/148°F
<b>Storage Temperature</b>	-40°C to 70°C/-40°C to 158°F
<b>Audio frequency response</b>	150Hz-20kHz
<b>Humidity</b>	80% non condensing relative humidity
<b>Warranty</b>	3 Years

	<b>BROADCASTER</b>	<b>LINE SPLITTER</b>	<b>REMOTE</b>
<b>Cables &amp; Connectors</b>	VGA In - HDD15M VGA Out - HDD15F System Out - 8 Ports RJ45 Mic/Headphone/Sc In/Out – Jack Controller - MiniDin8F	System In - RJ45 System Out - RJ45	System In - RJ45 CPU VGA - HDD15M Screen - HDD15F Audio In/Out - Jack
<b>Dimensions</b>	175 x 96 x 42mm/ 0.57 x 0.31 x 0.14ft	118 x 96 x 42mm/ 0.39 x 0.31 x 0.14ft	34 x 78 x 23mm/ 0.11 x 0.26 x 0.07ft
<b>Power supply</b>	AC/DC Power Adapter 12VDC 2A	AC/DC Power Adapter 12VDC 2A	12 VDC, 160 mA from Broadcaster or Line Splitter
<b>Order Number</b>	0VS22011	0VS22012	0VS23004