

Installation and Operation

Introduction

Cat5 Reach for Sun includes a transmitter-receiver (USKVM/URSKVM) pair that enables you to locate a Sun (CPU) in a clean, secure area and access the Sun from any convenient, remote location. The remote user (keyboard, monitor, and mouse), connected to the receiver, can be up to 1000 feet from the Sun using Category 5 UTP cable. In addition to the remote user, a local user (keyboard, monitor, and mouse) can be connected to the transmitter. Similarly, Cat5 Reach for Sun can be used to extend distances between Raritan KVM switches, user consoles, and connected computers.

Cat5 Reach for Sun Application with Sun

To locate a keyboard, monitor, and mouse 30 feet to 1000 feet from a Sun

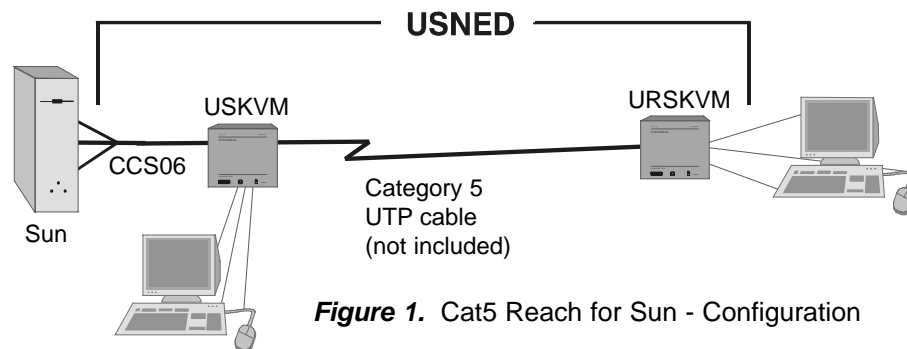


Figure 1. Cat5 Reach for Sun - Configuration

Sequence of Steps for Cat5 Reach for Sun Installation

1. Before connecting to the Sun (CPU), make sure that the Sun is powered off.
2. Connect USKVM to Sun using included CCS06 cable and 1396C if Sun has HD15 video.
3. Connect USKVM to URSKVM using standard Category 5 enhanced UTP cable with RJ45 connectors up to 1000 feet in length.
4. Plug the DC Adapter (Part # A10D1-06MP) into the URSKVM and the other end into an AC power outlet
5. Plug a Sun keyboard/mouse, and VGA monitor into the URSKVM (and USKVM if desired). Use a 1396C if monitor has 13W3 video connector
6. Power on the Sun and VGA monitor and operate.
7. The URSKVM contains automatic video tuning (AVT) and is pre-set at the factory. No manual adjustments should be required—the URSKVM will automatically adjust the video quality based on the length of the Category 5 cable. If you feel that the video quality is not satisfactory, an adjustment can be made by inserting a small flat-head screwdriver into the opening labeled Video Adjustment and slowly fine-turning the adjustment up or down.

Cat5 Reach for Sun

Cat5 Reach for Sun Applications with MasterConsole SMX models

Cat5 Reach for Sun - Extended Length Kit to connect a user console

To locate a user console (keyboard, monitor, and mouse) 30 feet to 1000 feet from MasterConsole SMX

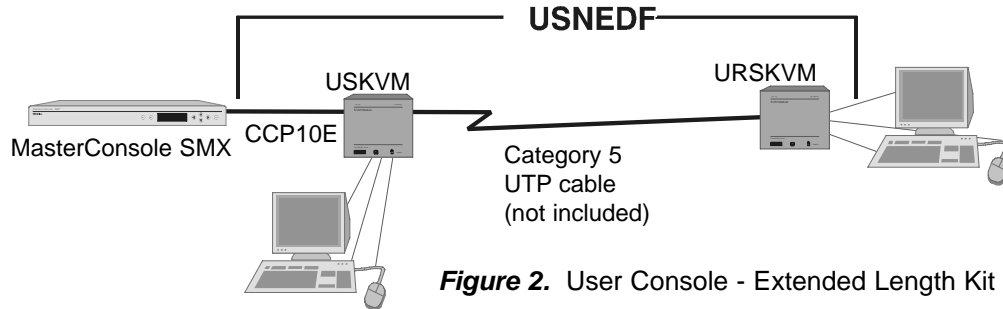


Figure 2. User Console - Extended Length Kit

Cat5 Reach for Sun - Extended Length Kit to connect a SUN

To locate a Sun up to 1000 feet from MasterConsole SMX

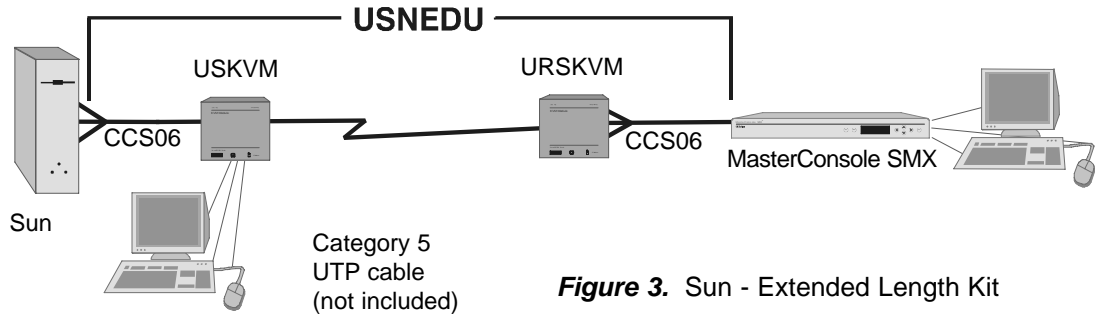


Figure 3. Sun - Extended Length Kit

Cat5 Reach for Sun

Specifications for Components

USKVM (Transmitter)

Dimensions	4.3" (W) x 3.6" (D) x 1.0" (H) 108mm (W) x 91mm (D) x 23mm (H)
Weight	0.5 lbs. (0.2 kg)
Power	Optional 6V DC external power
Connectors to Sun	2' universal cable kit CCS06 included
User Port (local access)	8 pin Sun keyboard & mouse, HD15 monitor

URSKVM (Receiver)—Automatic Video Tuning

Dimensions	4.3" (W) x 3.6" (D) x 1.0" (H) 108mm (W) x 91mm (D) x 23mm (H)
Weight	0.5 lbs. (0.2 kg)
Power	6V DC input (Adapter included)
User Port (remote access)	8 pin Sun keyboard & mouse, HD15 monitor

1396C (Video converter) 13W3(male) to HD15(female) with sync conversion

Note:

The quality of the video can be affected by the quality of the cable used. The following cables have been tested and are determined to produce satisfactory results with the products:

Manufacturer	Cable Type (enhanced)
Belden	Datatwist 350 Type 1700A
Belden	Mediatwist Type 1872A
Madison Cables	p/n 08FI00013
Helix/Hitemp Cables	p/n 803508F

Raritan's Category 5 Reach products utilize the EIA/TIA T568B standard. Category 5 UTP cable used with Raritan's Category 5 products should be enhanced and must conform to this standard.